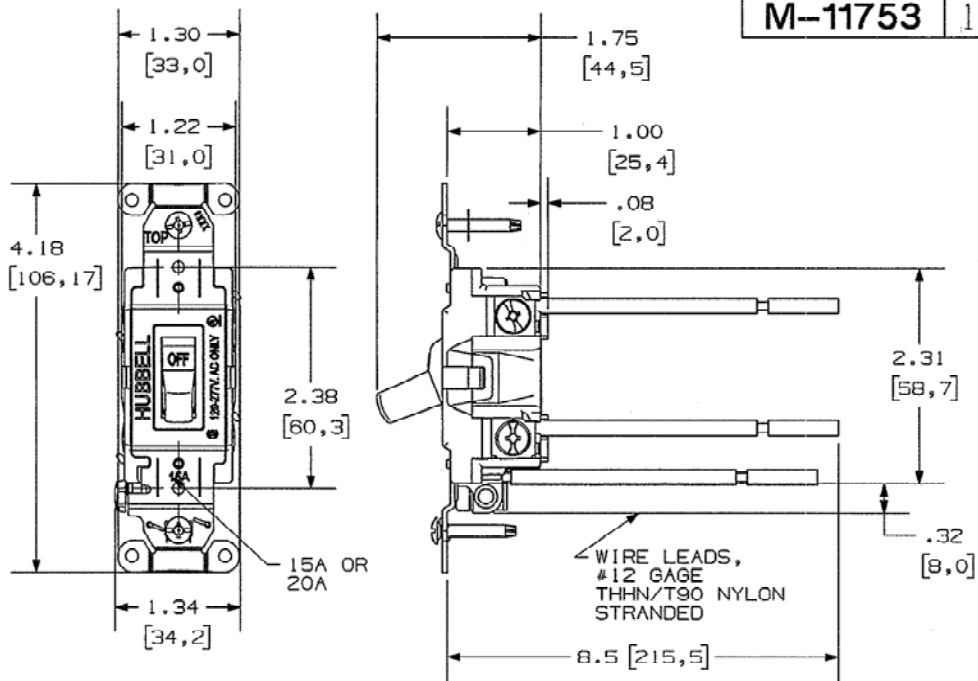
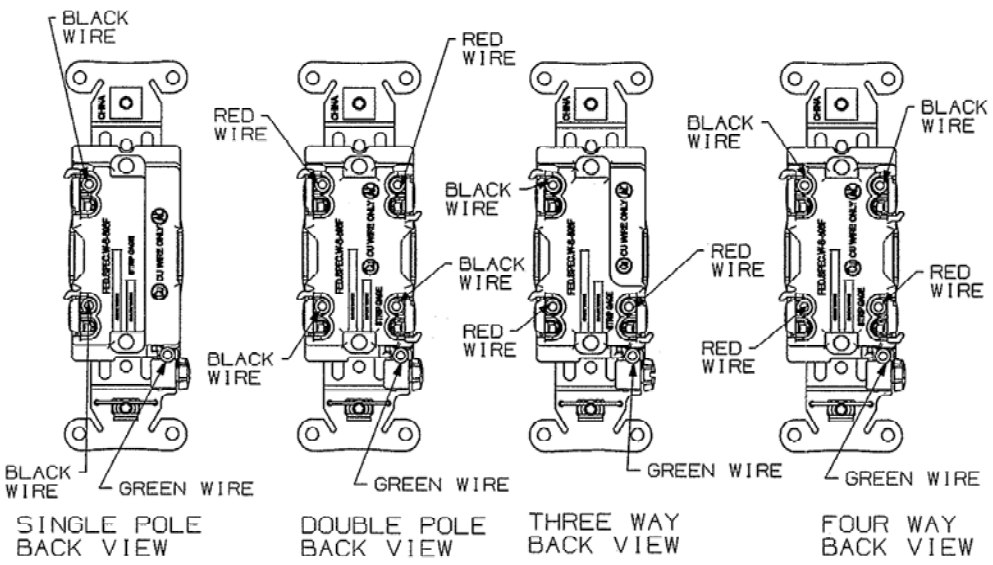


**M-11753** 1



CATALOG NUMBER	RATING / TYPE	TOGGLE COLOR
1221PWAL	20A 120-277VAC S.P.	ALMOND
1221PWBK	20A 120-277VAC S.P.	BLACK
1221PWB	20A 120-277VAC S.P.	BROWN
1221PWGY	20A 120-277VAC S.P.	GRAY
1221PWI	20A 120-277VAC S.P.	IVORY
1221PWLA	20A 120-277VAC S.P.	LIGHT ALMOND
1221PWR	20A 120-277VAC S.P.	RED
1221PWW	20A 120-277VAC S.P.	WHITE
1222PWAL	20A 120-277VAC D.P.	ALMOND
1222PWBK	20A 120-277VAC D.P.	BLACK
1222PWB	20A 120-277VAC D.P.	BROWN
1222PWGY	20A 120-277VAC D.P.	GRAY
1222PWI	20A 120-277VAC D.P.	IVORY
1222PWLA	20A 120-277VAC D.P.	LIGHT ALMOND
1222PWR	20A 120-277VAC D.P.	RED
1222PWW	20A 120-277VAC D.P.	WHITE
1223PWAL	20A 120-277VAC 3W	ALMOND
1223PWBK	20A 120-277VAC 3W	BLACK
1223PWB	20A 120-277VAC 3W	BROWN
1223PWGY	20A 120-277VAC 3W	GRAY
1223PWI	20A 120-277VAC 3W	IVORY
1223PWLA	20A 120-277VAC 3W	LIGHT ALMOND
1223PWR	20A 120-277VAC 3W	RED
1223PWW	20A 120-277VAC 3W	WHITE
1224PWAL	20A 120-277VAC 4W	ALMOND
1224PWBK	20A 120-277VAC 4W	BLACK
1224PWB	20A 120-277VAC 4W	BROWN
1224PWGY	20A 120-277VAC 4W	GRAY
1224PWI	20A 120-277VAC 4W	IVORY
1224PWLA	20A 120-277VAC 4W	LIGHT ALMOND
1224PWR	20A 120-277VAC 4W	RED
1224PWW	20A 120-277VAC 4W	WHITE

LIST OF PARTS		
DESCRIPTION	MATERIAL	FINISH
TOGGLE	THERMOPLASTIC	SEE CHART
TOP HOUSING	THERMOPLASTIC	GRAY COLOR
BOTTOM HOUSING	THERMOPLASTIC	BLACK COLOR
RUBBER BUMPER	ELASTOMER	NONE
RIVET	STEEL	ZINC
GROUND SPRING	STAINLESS STEEL	NONE
MOUNTING SCREW	STEEL	ZINC
WASHER	THERMOPLASTIC	NONE
BRIDGE	STEEL	ZINC
GROUND SCREW	STEEL	DYE GREEN
GROUND CLAMP	STEEL	NI PLATED
WIRE CLAMP	STEEL	NI PLATED
ACTUATOR SPRING	SPRING WIRE	NONE
SPRING HOLDER	BRASS ALLOY	NONE
TERMINALS	BRASS ALLOY	BRIGHT DIP
TERMINAL SCREWS	STEEL	PLATED
SILVER CONTACTS	CADMIUM FREE SILVER ALLOY	NONE
WIRE LEADS	STRANDED COPPER	NYLON INSULATION



CODE 74545 ALL DIMENSIONS ARE IN INCHES AND [MILLIMETERS]

1	RELEASED PER DCN17231	10/8/10
SYM	REVISIONS	APP DATE
THE DESIGN AND DIMENSIONS OF THE PRODUCT SHOWN ON THIS DRAWING ARE SUBJECT TO CHANGE WITHOUT NOTICE		
TITLE AC TOGGLE SWITCH INDUSTRIAL SERIES WITH WIRE LEADS		
TOLERANCES UNLESS OTHERWISE SPECIFIED		WIRING DEVICE-KELLEMS HUBBELL INCORPORATED BRIDGEPORT, CT
FRACTIONS	± 1/64	DR. BY SRE APP. BY [Signature]
DECIMALS	± .005	TR. BY [Signature] SCALE NONE
ANGLES	± 2°	CHK'D BY [Signature] DATE 10/8/10

DIMENSION SHEET FOR CAT. NO. M-11753  
 REPAIRABLE  NON-REPAIRABLE   
 SEE CHART  
 B  
 M-11753  
 1