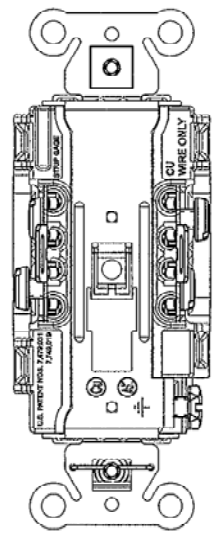
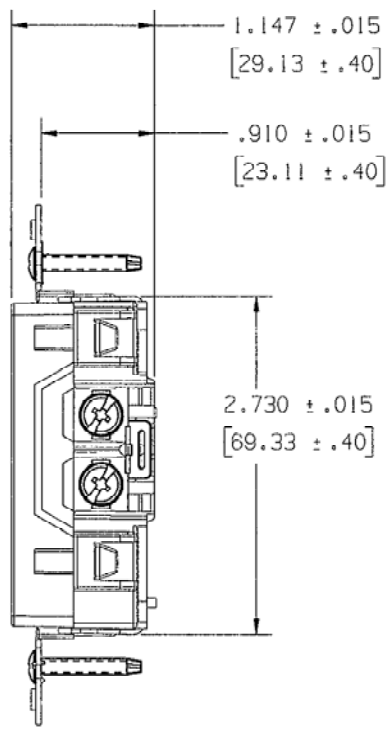
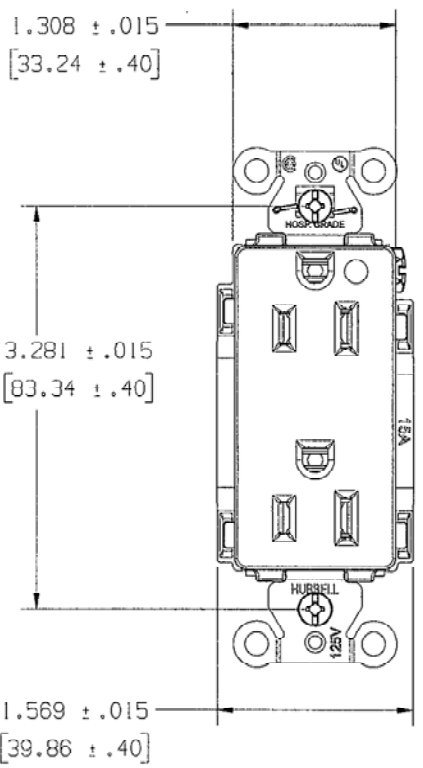


M-11709 1



NOTES:  
 1) DIMENSIONS ARE IN INCHES (MM).  
 2) ALL DEVICES UL LISTED AND CSA CERTIFIED.  
 3) TERMINALS ACCOMMODATE #14-#10 AWG COPPER WIRE ONLY.

CATALOG NUMBERS											
	BROWN	IVORY	GRAY	WHITE	BLACK	ALMOND	LIGHT ALMOND	OFFICE WHITE	ORANGE	RED	BLUE
15A	2172	2172IV	2172GY	2172W	2172BK	2172ALM	2172LA	-----	-----	2172RED	-----
20A	2182	2182IV	2182GY	2182W	2182BK	2182ALM	2182LA	-----	-----	2182RED	-----

LIST OF PARTS		
DESCRIPTION	MATERIAL	FINISH
TOP	NYLON 6/6	SP1 A-3
BASE	NYLON 6/6	SP1 A-3
LINE CONTACTS	BRASS	
GROUND CONTACTS	BRASS	
CONTACT SCREW (NEU)	STEEL	NI PLT
CONTACT SCREW (HDI)	STEEL	
BRIDGE	.04 GALV STL	
GROUND SCREW	STEEL	GREEN
STAPLE	S.S.	
WASHER	PVC FILM	BLACK
MOUNTING SCREW	STEEL	ZINC PLT

1 RELEASED PER DCN #18840  
 WRV *WRV* 05/08/12

SYM	REVISIONS	A/P	DATE

THE DESIGN AND DIMENSIONS OF THE PRODUCT SHOWN ON THIS DRAWING ARE SUBJECT TO CHANGE WITHOUT NOTICE

TITLE  
 HOSPITAL GRADE DECORATOR RECEPTACLE  
 15A & 20A 125V, 2P3W  
 BACK & SIDE WIRE

TOLERANCES UNLESS OTHERWISE SPECIFIED		WIRING DEVICE-KELLEMS HUBBELL INCORPORATED SHELTON, CT	
.XX = ±.01	.XXX = ±.005	DR. BY WRV	APP. BY
ANGLES = ±2°		TR. BY	SCALE 1:1
		CHK. BY	DATE 5/2012

CODE 74545

DIMENSION SHEET FOR CAT. NO. REPAIRABLE  NON-REPAIRABLE  B M-11709