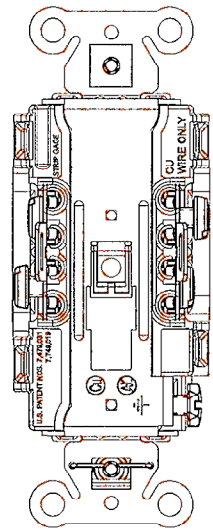
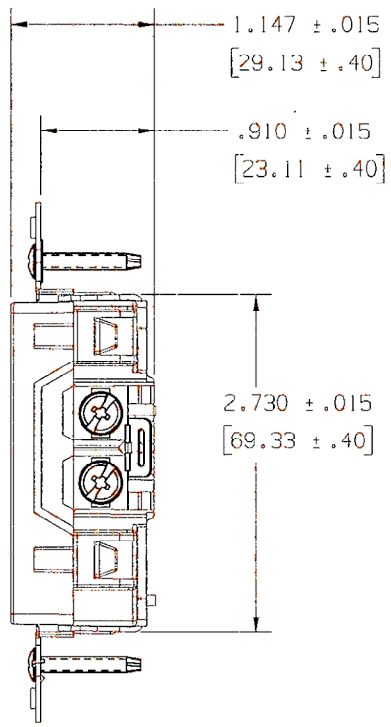
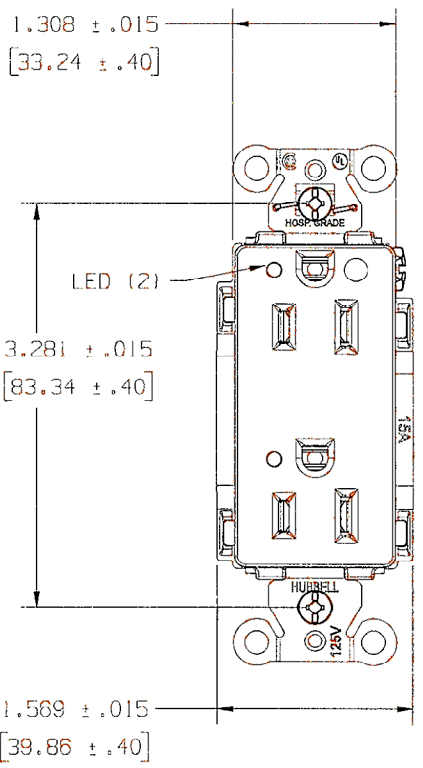


M-12230 1



NOTES:
 1) DIMENSIONS ARE IN INCHES (MM).
 2) ALL DEVICES UL LISTED AND CSA CERTIFIED.
 3) TERMINALS ACCOMMODATE #14-#10 AWG COPPER WIRE ONLY.

CATALOG NUMBERS

	BROWN	IVORY	GRAY	WHITE	BLACK	ALMOND	LIGHT ALMOND	OFFICE WHITE	ORANGE	RED	BLUE
15A	2172L	21721VL	2172GYL	2172WL	2172BKL	2172ALML	2172LAL	-----	-----	2172REDL	-----
20A	2182L	21821VL	2182GYL	2182WL	2182BKL	2182ALML	2182LAL	-----	-----	2182REDL	-----

CODE 74545

LIST OF PARTS		
DESCRIPTION	MATERIAL	FINISH
TOP	NYLON 6/6	SPT A-3
BASE	NYLON 6/6	SPT A-3
LINE CONTACTS	BRASS	
GROUND CONTACTS	BRASS	
CONTACT SCREW (NEU)	STEEL	NI PLT
CONTACT SCREW (HOT)	STEEL	
BRIDGE	.04 GALV STL	
GROUND SCREW	STEEL	GREEN
STAPLE	S.S.	
WASHER	PVC FILM	BLACK
MOUNTING SCREW	STEEL	ZINC PLT

1	RELEASED PER DCN #18840 WRV W	05/08/12	
SYM	REVISIONS	APP	DATE

THE DESIGN AND DIMENSIONS OF THE PRODUCT SHOWN ON THIS DRAWING ARE SUBJECT TO CHANGE WITHOUT NOTICE

TITLE 15A/20A 125V, 2P 3W HOSPITAL GRADE DECORATOR RECEPTACLE LED BACK & SIDE WIRE

TOLERANCES UNLESS OTHERWISE SPECIFIED	WIRING DEVICE-KELLEMS HUBBELL INCORPORATED SHELTON, CT	
.XX = ±.01	DR. BY WRV	APP. BY
.XXX = ±.005	TR. BY	SCALE 1:1
ANGLES = ±2°	CHK. BY	DATE 7/2012

DIMENSION SHEET FOR CAT. NO. REPAIRABLE NON-REPAIRABLE
B
M-12230
1