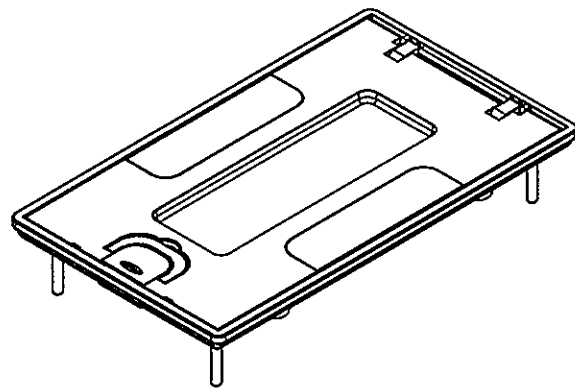
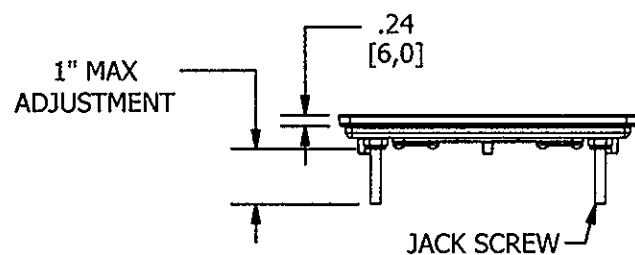
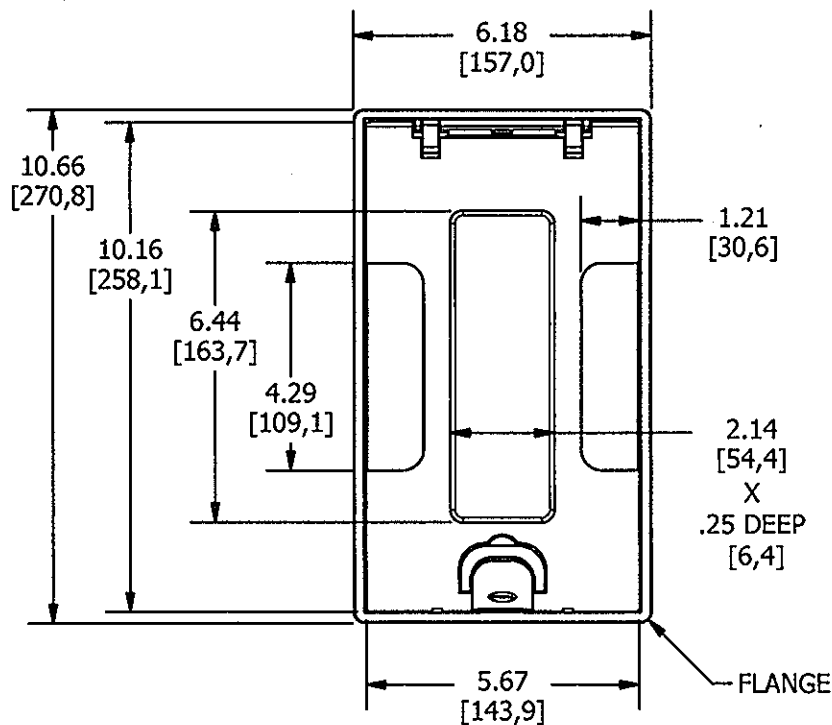


M-12136

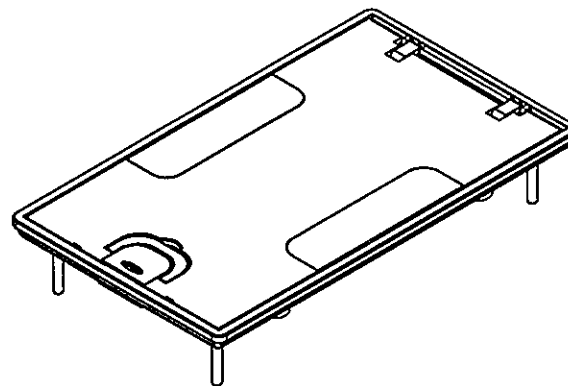
3



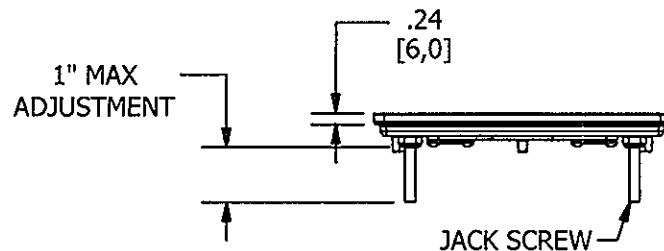
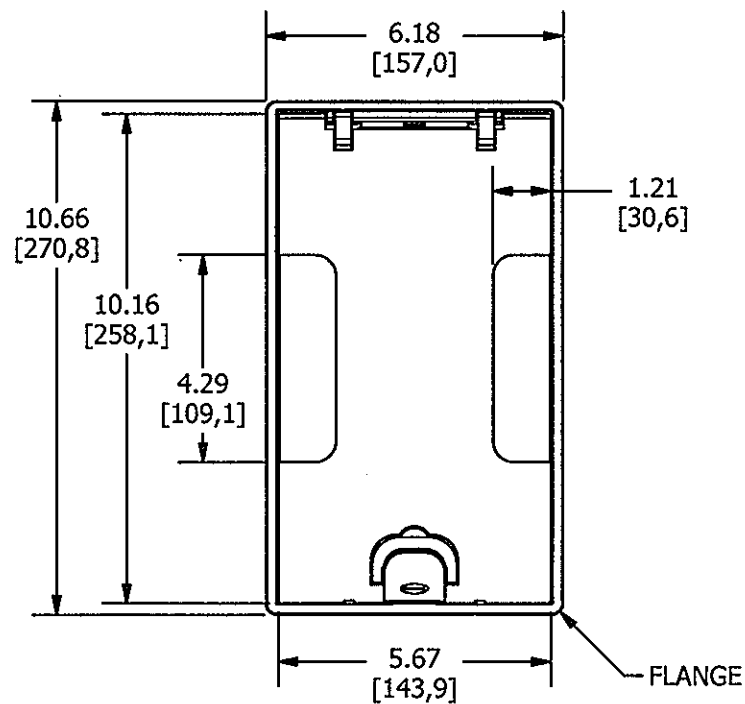
RECESS



RECESS	
CATALOG NO.	COLOR
24GTCVRNKC	NICKEL
24GTCVRBKC	BLACK
24GTCVRALUC	ALUMINUM
24GTCVBRSC	BRASS
24GTCVBRZC	BRONZE



NO RECESS



NO RECESS	
CATALOG NO.	COLOR
24GTCVRNK	NICKEL
24GTCVRBK	BLACK
24GTCVRALU	ALUMINUM
24GTCVBRBS	BRASS
24GTCVBRZ	BRONZE

NOTES: UNLESS OTHERWISE SPECIFIED:
 1. DIMENSIONS SHOWN ON THIS DRAWING ARE NOMINAL VALUES FOR GENERAL USE ONLY.
 2. PRODUCT IS cULus LISTED.

LIST OF PARTS

DESCRIPTION	MATERIAL	FINISH
FLANGE	ALUMINUM	POWDER COAT
COVER	ALUMINUM	POWDER COAT
GASKETS	CLOSED CELL FOAM	
HINGE SUPPORT	ALUMINUM	POWDER COAT
PIVOT LINK	ALUMINUM	POWDER COAT
HINGE PIN LONG	STAINLESS	
HINGE PIN SHORT	STAINLESS	
SUPPORT HINGE PIN	CRS	PRE GALVANIZED
DOOR STRAP	CRS	PRE GALVANIZED
EGRESS DOOR	ALUMINUM	POWDER COAT
EGRESS DOOR SPRING	STAINLESS	
BUTTON SLIDE	ALUMINUM	POWDER COAT
SPRING BUTTON	STAINLESS	
LATCH	ALUMINUM	POWDER COAT
JACK SCREW	STEEL WIRE	ZINC PLATED
JACK SCREW NUT	CRS	ZINC PLATED

SYM	DESCRIPTION	APP.	DATE
3	ADDED ISO VIEWS PER DCN # 20587 MAM RGP RGP	TLS	6/12/2014
2	REDRAWN IN INVENTOR, UPDATED DRAWING TO MATCH UG MODEL PER DCN # 20081 RGP TLS	TLS	09/20/13
1	RELEASED FOR PRODUCTION PER DCN # 18427 MJM TLS	TLS	01/19/12

THE DESIGN AND DIMENSIONS OF THE PRODUCT SHOWN ON THIS DRAWING ARE SUBJECT TO CHANGE WITHOUT NOTICE

TITLE
 2 & 4 GANG TILE COVER ASSY.
 RECESS & NO RECESS

TOLERANCES UNLESS OTHERWISE SPECIFIED FRACTIONS ± 1/64 DECIMALS ± .03 ANGLES ± 2'	WIRING DEVICE-KELLEMS HUBBELL INCORPORATED SHELTON, CT			
	DR. BY	RGP	APP. BY	TLS
	TR. BY		SCALE	1 : 4
	CHK'D BY	TLS	DATE	9/10/2013

DIMENSION SHEET FOR CMT. NO.

SEE TABLE

REPAIRABLE

NON-REPAIRABLE

B

M-12136

3