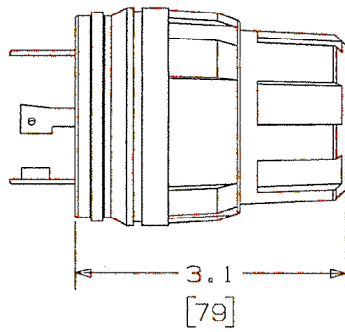
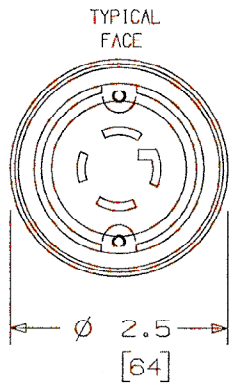
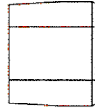


M-11450 3



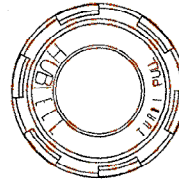
GROMMETS
(SEE TABLE)



FERRULE



NUT



NOTES:

- DIMENSIONS SHOWN ARE TYPICAL. DIMENSION UNITS: INCHES [mm].
- DEVICES ARE UL LISTED PER UL 498.
- DEVICES ARE CSA CERTIFIED PER CSA C22.2 NO.42 EXCEPT EXCEPT 26W09H, 28W09H, 28W47H, 28W48H, 28W49H, & 28W78H.
- FOR USE WITH ROUND CORD TYP S AND SJ WITHIN THE SIZE RANGE AS OUTLINED BELOW:
 20A 4-WIRE: 14/4 S TO 10/4 S (.560" TO .775") (14.2 mm TO 19.9 mm)
 30A 3-WIRE: 12/3 SJ, 14/3 S TO 10/3 S (.475" TO .720") (12.1 mm to 18.3 mm)
 30A 4-WIRE: 12/4 SO TO 6/4 SO, LIMITED FROM 0.640 TO 0.930" DIAMETER (16.3 to 23.6 mm)
- CERTAIN DEVICES AVAILABLE IN BLACK BODY/YELLOW FACE.
- THIS PRODUCT HAS BEEN TESTED TO NEMA ENCLOSURE TYPES 3R, 4, 4X, 6, 6P AND IEC CLASSIFICATION IP67 WHEN THE CLOSURE CAP IS CLOSED OR WHEN MATED WITH AN EQUIVALENT RATED WATERTIGHT DEVICE.
 WARNING! RISK OF ELECTRICAL SHOCK. DO NOT SUBMERGE.
 THE ENCLOSURE RATINGS 6, 6P & IP67 OF THIS PRODUCT ARE ONLY INTENDED TO DEMONSTRATE SUPERIOR RESISTANCE TO WATER INGRESS AND NOT FOR SUBMERSION.

CATALOG NO.	28W47H	28W48H	28W49H
NEMA CONFIG			
	L5-30P	L6-30P	L7-30P
RATING	30A 125V	30A, 250V	30A, 277VAC
POLES/WIRES	2P/3W GROUNDING	2P/3W GROUNDING	2P/3W GROUNDING

COLOR	ID.	20A 4-WIRE	30A 3-WIRE	30A 4-WIRE
TAN	0.45 [11.4]		X	
YELLOW	0.56 [14.2]	X	X	
BLACK	0.63 [16.0]	X	X	
BLUE	0.69 [17.5]	X	X	X
GRAY	0.75 [19.1]	X		X
RED	0.83 [21.1]			X
ORANGE	0.90 [22.9]			X

CATALOG NO.	28W74H	28W75H	28W76H	28W77H	28W78H	26W09H	28W09H
NEMA CONFIG							
	L14-30P	L15-30P	L16-30P	L17-30P	L18-30P	NON-NEMA	NON-NEMA
RATING	30A 125/250V	30A, 250V 3 Ø	30A, 480V 3 Ø	30A, 600V 3 Ø	30A 120/208V 3 Ø Y	20A 120/208V 3 Ø Y	30A 120/208V 3 Ø Y
POLES/WIRES	3P/4W GROUNDING	3P/4W GROUNDING	3P/4W GROUNDING	3P/4W GROUNDING	4P/4W NON-GROUNDING	4P/4W NON-GROUNDING	4P/4W NON-GROUNDING

LIST OF PARTS

DESCRIPTION	MATERIAL	FINISH
NUT	PBT THERMOPLASTIC	GRAY
GROMMETS	THERMOPLASTIC ELASTOMER	VARIOUS
FERRULE	POLYPROPYLENE	NATURAL
BLADES	BRASS	NICKEL
TERMINAL SCREWS	STEEL	CHROMATE
PLUG BODY	PBT THERMOPLASTIC	YELLOW
SHELL BODY	THERMOPLASTIC ELASTOMER	YELLOW
SHELL INSERT	POLYPROPYLENE	NATURAL
BODY/FACE SCREWS	STAINLESS STEEL	
DRIVE SCREWS	STEEL	CHROMATE
RETAINER CAP	POLYCARBONATE	CLEAR

3	ADDED CAT NO 26W09H, REVISED GROMMET TABLE & NOTES 3 - 4 PER DCN 18692 MAM	TLS	4/16/12
2	REVISED NOTE 3 PER DCN 17279 MAM	TLS	11/2/10
1	INITIAL RELEASE PER DCN 16122 MAM	TLS	1/25/10
SYM	REVISIONS	APP	DATE

THE DESIGN AND DIMENSIONS OF THE PRODUCT SHOWN ON THIS DRAWING ARE SUBJECT TO CHANGE WITHOUT NOTICE

TITLE
WATERTIGHT PLUGS
CUSTOMER DRAWING

TOLERANCES UNLESS OTHERWISE SPECIFIED	WIRING DEVICE-KELLEMS HUBBELL INCORPORATED SHELTON, CT	
.XX = ±.01	DR. BY MAM	APP. BY TLS
.XXX = ±.005	TR. BY	SCALE NTS
ANGLES = ±2°	CHK. BY TLS	DATE 11/05/09