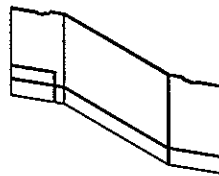


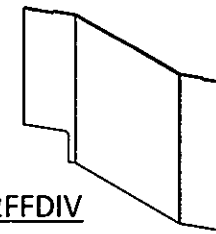
M-12135

3

NOTES: UNLESS OTHERWISE SPECIFIED:  
 1. DIMENSIONS SHOWN ON THIS DRAWING ARE NOMINAL VALUES FOR GENERAL USE ONLY.  
 2. PRODUCT IS cULus LISTED.  
 3. ALL FURNITURE FEED COVER ASSEMBLIES INCLUDE ONE (1) AFB2FFDIV DIVIDER, TWO (2) CFB2FFDIV DIVIDERS, AND DOUBLE STICK TAPE.



CFB2FFDIV



AFB2FFDIV

LIST OF PARTS

DESCRIPTION	MATERIAL	FINISH
FLANGE	ALUMINUM	POWDER COAT
COVER	ALUMINUM	POWDER COAT
GASKETS	CLOSED CELL FOAM	
JACK SCREW	STEEL WIRE	ZINC PLATED
JACK SCREW NUT	CRS	ZINC PLATED
COVER SCREW	CRS	ZINC PLATED
2" PLUG	ALUMINUM	POWDER COAT
3/4"-1" PLUG	ALUMINUM	POWDER COAT
3/4" PLUG	ALUMINUM	POWDER COAT

DIMENSION SHEET FOR CAT. NO.

SEE TABLE

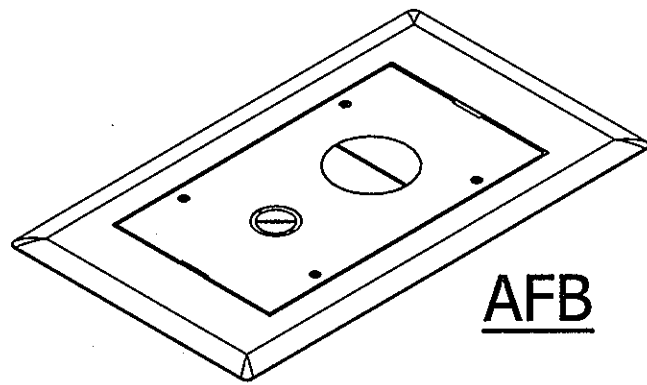
REPAIRABLE

NON-REPAIRABLE

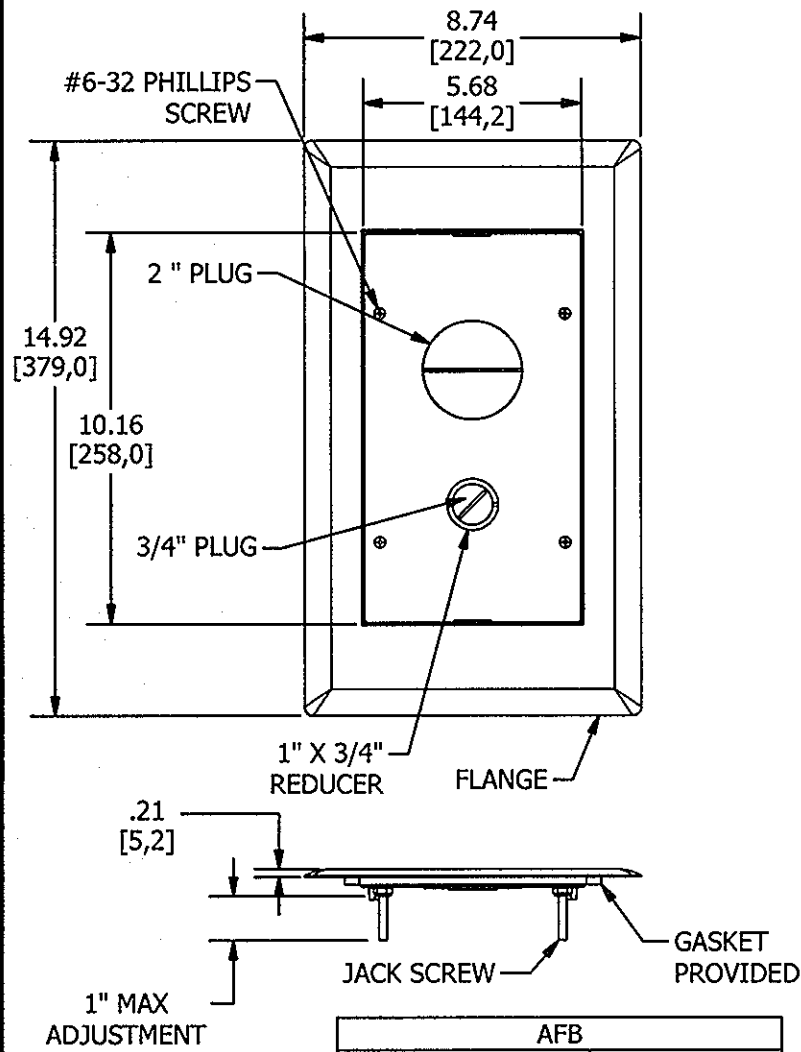
**B**

**M-12135**

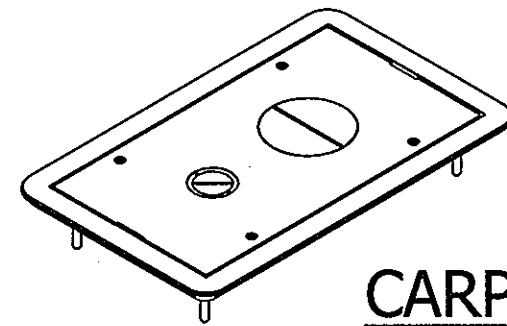
**3**



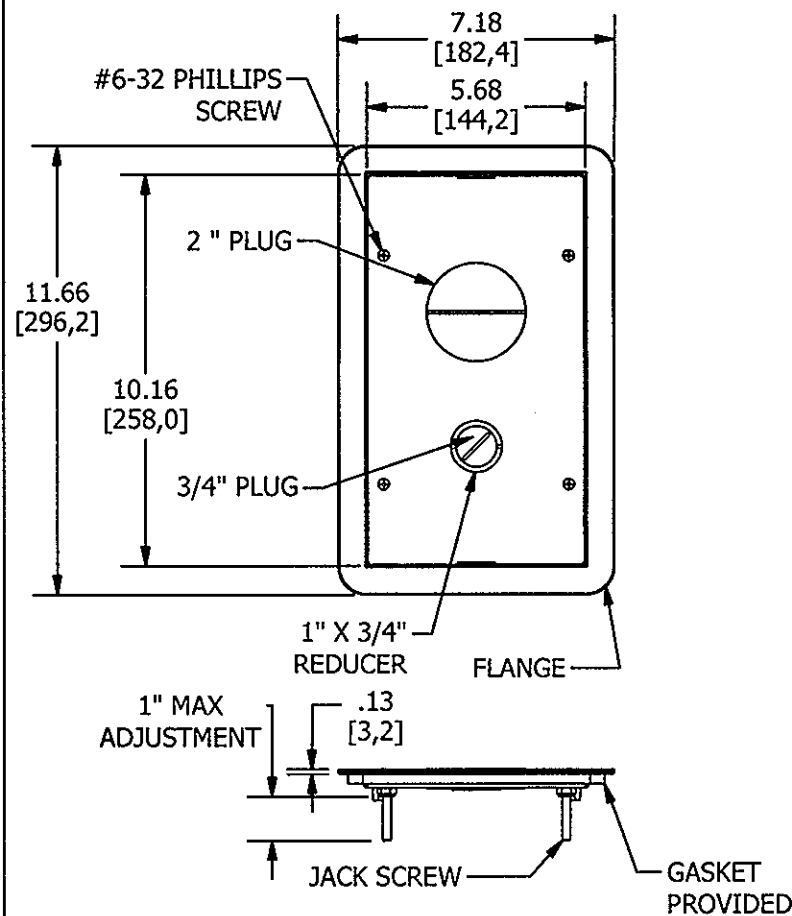
**AFB**



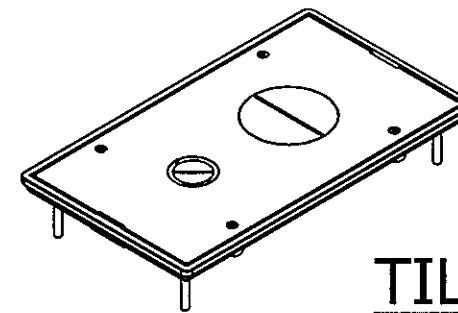
AFB	
CATALOG NO.	COLOR
2GAFBFFCVRNK	NICKEL
2GAFBFFCVRBK	BLACK
2GAFBFFCVRALU	ALUMINUM
2GAFBFFCVRBRS	BRASS
2GAFBFFCVRBRZ	BRONZE



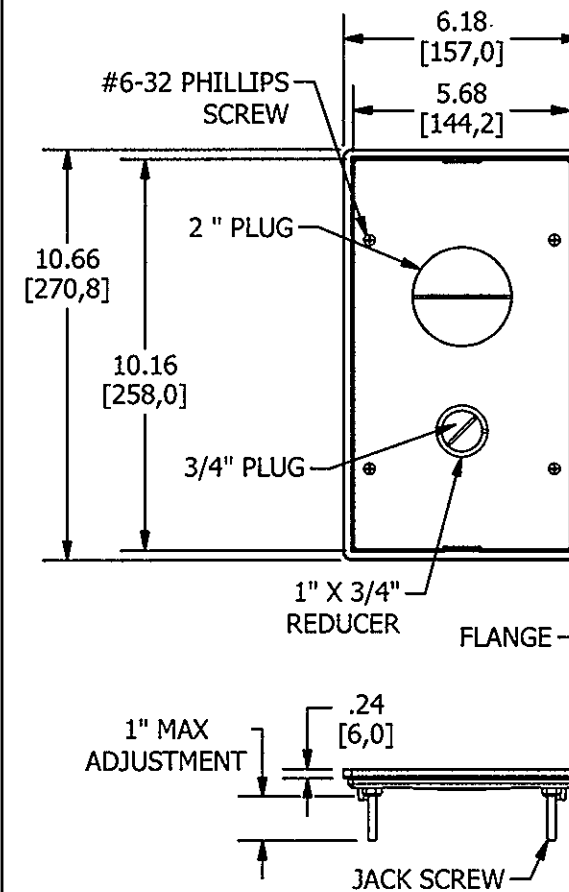
**CARPET**



CARPET	
CATALOG NO.	COLOR
2GCFFCVRNK	NICKEL
2GCFFCVRBK	BLACK
2GCFFCVRALU	ALUMINUM
2GCFFCVRBRS	BRASS
2GCFFCVRBRZ	BRONZE



**TILE**



TILE	
CATALOG NO.	COLOR
2GTFFCVRNK	NICKEL
2GTFFCVRBK	BLACK
2GTFFCVRALU	ALUMINUM
2GTFFCVRBRS	BRASS
2GTFFCVRBRZ	BRONZE

SYM	DESCRIPTION	APP.	DATE
3	ADDED ISO VIEWS, REVISED NOTE 3 & DRAWING SCALE PER DCN # 20587 MAM RGP	TLS	6/12/14
2	REDRAWN IN INVENTOR, UPDATED DRAWING TO MATCH UG MODEL PER DCN # 20081 RGP TLS	TLS	09/20/13
1	RELEASED FOR PRODUCTION PER DCN # 18427 MJM TLS	TLS	01/19/12

THE DESIGN AND DIMENSIONS OF THE PRODUCT SHOWN ON THIS DRAWING ARE SUBJECT TO CHANGE WITHOUT NOTICE

TITLE  
**2 GANG FURNITURE FEED TILE/ CARPET/ AFB**

TOLERANCES UNLESS OTHERWISE SPECIFIED		WIRING DEVICE-KELLEMS HUBBELL INCORPORATED SHELTON, CT	
FRACTIONS	±1/64	DR. BY	RGP
DECIMALS	±.03	APP. BY	TLS
ANGLES	±2°	TR. BY	SCALE 1:5
		CHK'D BY	TLS
		DATE	9/10/2013