

M-12659

2

1.322 ± .015
[33.58 ± 0.38]

3.281 ± .015
[83.34 ± 0.38]

1.569 ± .015
[39.86 ± 0.38]

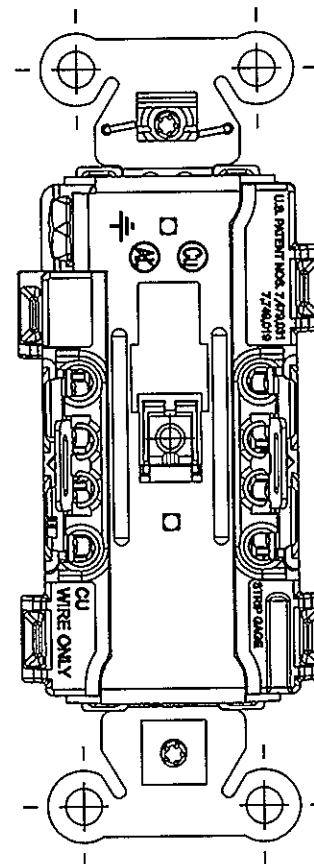
HOSPITAL GRADE
GREEN DOT

1.172 ± .015
[29.78 ± 0.38]

.910 ± .015
[23.11 ± 0.38]

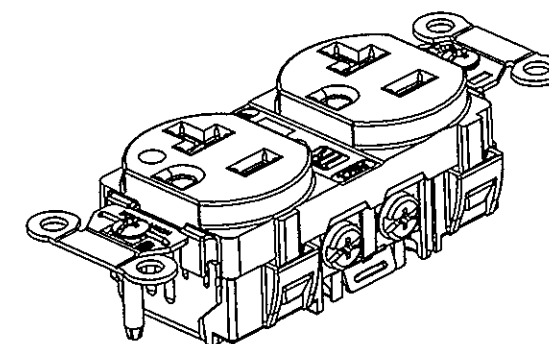
2.730 ± .015
[69.34 ± 0.38]

20A DEVICE SHOWN



LIST OF PARTS

DESCRIPTION	MATERIAL	FINISH
TOP	NYLON 6/6	SPI A-3
BASE	NYLON 6/6	SPI A-3
LINE CONTACTS	BRASS	
GROUND CONTACTS	BRASS	
CONTACT SCREW (NEU)	STEEL	
CONTACT SCREW (HOT)	STEEL	
BRIDGE	0.04 GALV STL	
GROUND SCREW	STEEL	GREEN
STAPLE	S.S.	
WASHER	PVC FILM	BLACK
MOUNTING SCREW	STEEL	ZINC PLATE



**CATALOG NO: 8300TRA
(NOT SHOWN TO SCALE)**

CATALOG NUMBERS HG DPLX REC. TRAPDOOR TR, NON LED

	ALMOND	BLACK	GRAY	IVORY	LIGHT ALMOND	RED	BROWN	WHITE	OFFICE WHITE	ORANGE	BLUE
15A	8200ALMTRA	8200BKTRA	8200GYTRA	8200IVTRA	8200LATRA	8200REDTRA	8200TRA	8200WTRA	-	-	-
20A	8300ALMTRA	8300BKTRA	8300GYTRA	8300IVTRA	8300LATRA	8300REDTRA	8300TRA	8300WTRA	-	-	-

NOTES:

1. DIMENSIONS ARE IN INCHES [mm].
2. ALL DEVICES UL LISTED AND CSA CERTIFIED.
3. TERMINALS ACCOMMODATE #14-#10 AWG COPPER WIRE ONLY.

CODE 74545

2	REDRAWN WITH EMBEDDED CAD MODEL WITH NO CHANGES TO PART GEOMETRY. PER DCN 21895 SPN	DJP	2/5/16
REV	DESCRIPTION	APP	DATE

THE DESIGN AND DIMENSIONS OF THE PRODUCT SHOWN ON THIS DRAWING ARE SUBJECT TO CHANGE WITHOUT NOTICE

TITLE
15A/20A 125V, 2P 3W HOSPITAL GRADE DUPLEX RECEPTACLE TRAPDOOR TAMPER RESISTANT, NON LED BACK & SIDE WIRE

TOLERANCES UNLESS OTHERWISE SPECIFIED	WIRING DEVICE-KELLEMS HUBBELL INCORPORATED SHELTON, CT	
.XX = ± .01	DR. BY EB AZAYEY	APP. BY TLS
.XXX = ± .005	TR. BY	SCALE 1:1
ANGLES = ± 2'	CHK. BY TLS	DATE 09-05-14

DIMENSION SHEET FOR CAT. NO. SEE TABLE

REPAIRABLE

NON-REPAIRABLE

B

M-12659

2