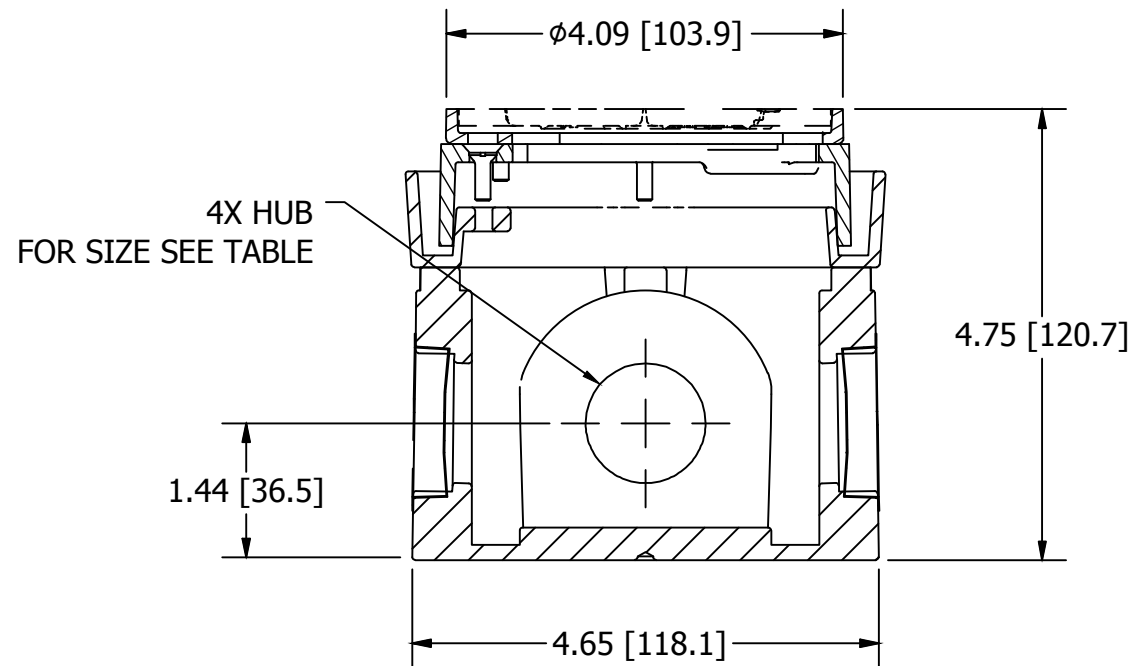
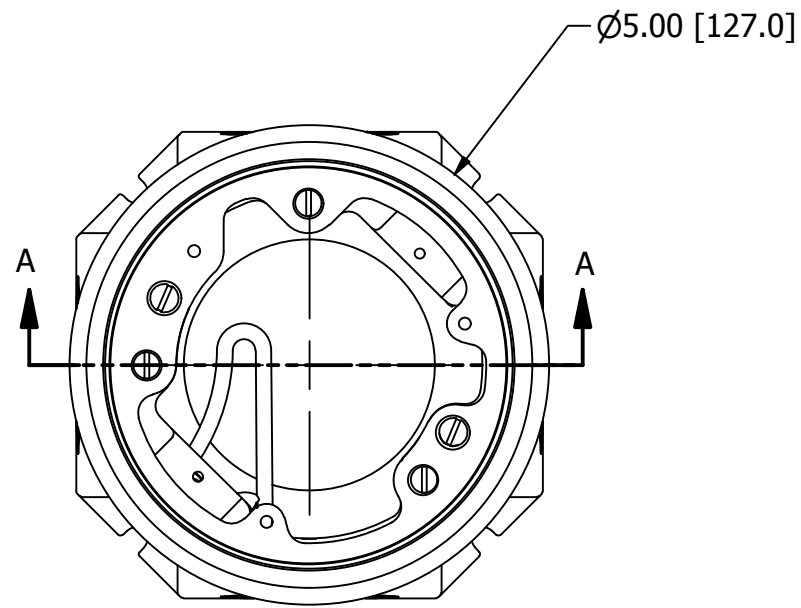
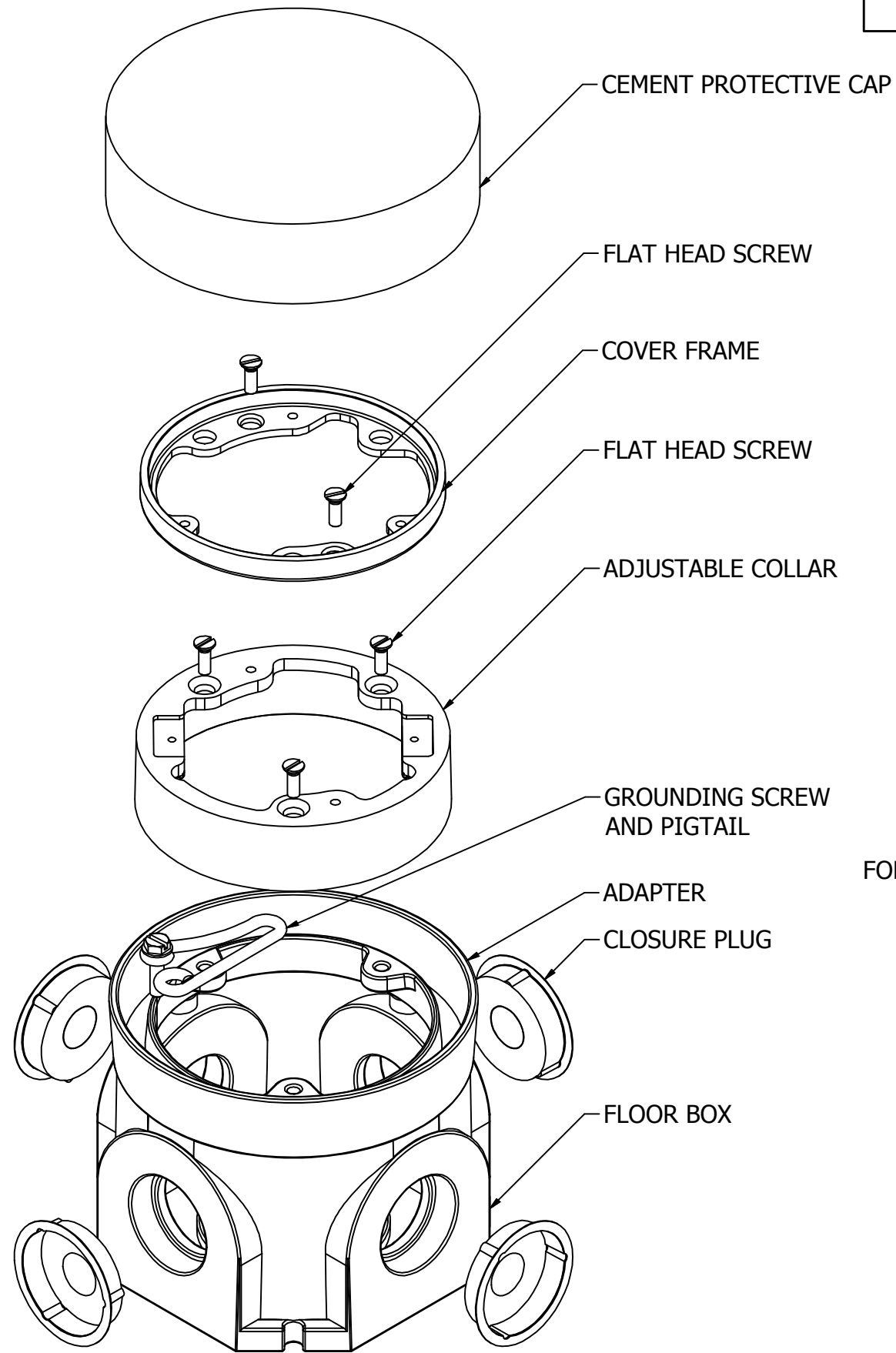


M-13158

1



SECTION A-A  
THROUGH FLOOR BOX

CATALOG NUMBER	HUB SIZE
B2506	Ø1.25
B2506415	Ø1.50

NOTES:  
1. PRODUCT IS UL & CSA LISTED.COMPLIES WITH UL 514A, CSA C22.2 NO. 85-14.

CAGE CODE 74545

SHEET 1 OF 2

LIST OF PARTS

DESCRIPTION	MATERIAL	FINISH
FLOOR BOX (1-GANG)	GRAY IRON	GRAY
CLOSURE PLUG	STEEL	TIN PLATE
SCREW FLAT HEAD	STEEL	ZINC PLATE
ADAPTER	GRAY IRON	GRAY
ADJUSTABLE COLLAR	GRAY IRON	GRAY
COVER FRAME	BRASS	BROWN
GROUNDING SCREW & PIGTAIL	COPPER	GREEN INSUL
PROTECTIVE CAP	STEEL	TIN PLATE

DIMENSION SHEET FOR CAT. NO. B2506, B2506415

1	INITIAL RELEASE. PER DCN 22067	DDL	04/18/16
REV	DESCRIPTION	APP	DATE

THE DESIGN AND DIMENSIONS OF THE PRODUCT SHOWN ON THIS DRAWING ARE SUBJECT TO CHANGE WITHOUT NOTICE. DIMENSIONS ARE IN INCHES [mm].

TITLE  
CAST, 4.75" DEEP ROUND BOX FAMILY



WIRING DEVICE-KELLEMS  
HUBBELL INCORPORATED  
SHELTON, CT

TOLERANCES UNLESS OTHERWISE SPECIFIED .XX = ±.01 .XXX = ±.005 ANGLE TOL. ±2'	DR. BY	SCALE	NONE
	CHK. BY DDL	DATE	04/15/16

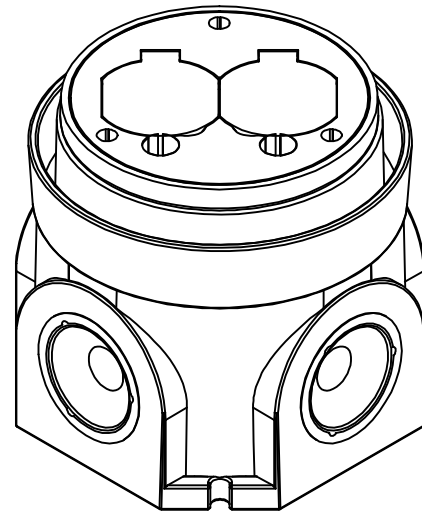
B

M-13158

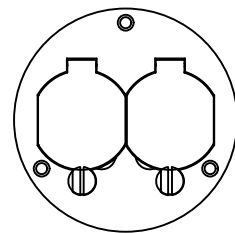
1

M-13158

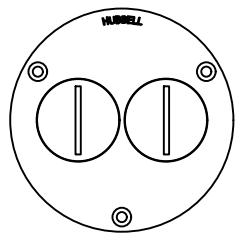
1



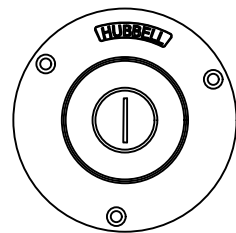
B2506  
B2506415  
CAST IRON FLOOR BOX



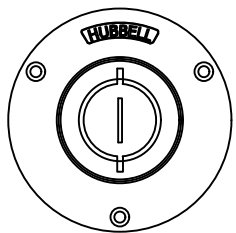
S3925  
SA3925



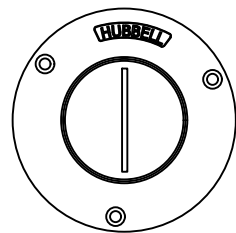
S3725  
SA3725



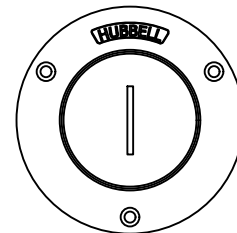
S2525  
SA2525



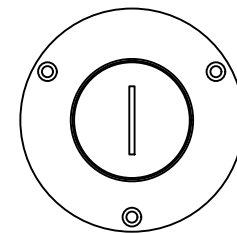
S2725  
SA2725



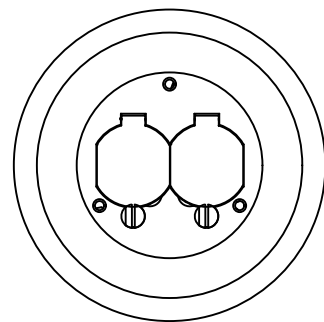
S2925  
SA2925



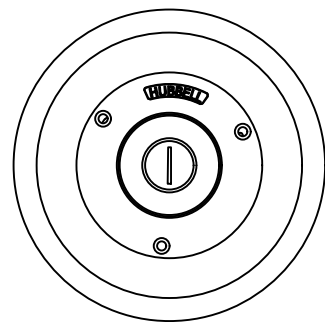
S3525



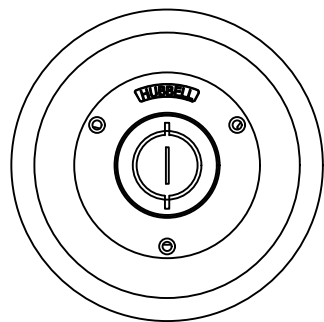
S3325



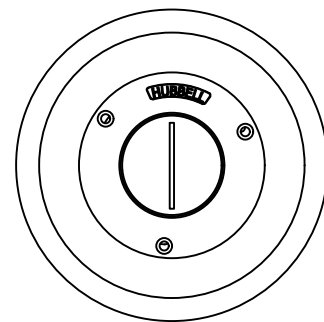
SF3925



SF2525



SF2725



SF2925

SHOWN SINGLE SERVICE COVERS SOLD SEPARATELY

LIST OF PARTS

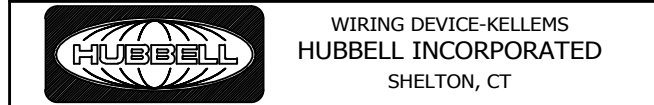
DESCRIPTION	MATERIAL	FINISH
SEE SHEET 1		

DIMENSION SHEET FOR CAT. NO.  
B2506, B2506415

1	INITIAL RELEASE. PER DCN 22067	DDL	04/18/16
REV	DESCRIPTION	APP	DATE

THE DESIGN AND DIMENSIONS OF THE PRODUCT SHOWN ON THIS DRAWING ARE SUBJECT TO CHANGE WITHOUT NOTICE. DIMENSIONS ARE IN INCHES [mm].

TITLE  
CAST, 4.75" DEEP ROUND BOX FAMILY



TOLERANCES UNLESS OTHERWISE SPECIFIED .XX = ±.01 .XXX = ±.005 ANGLE TOL. ±2'	DR. BY	SCALE	NONE
	CHK. BY	DATE	04/15/16

B  
M-13158  
1