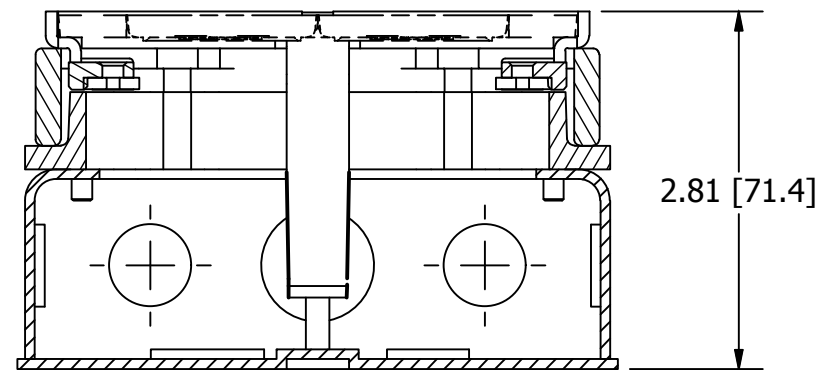
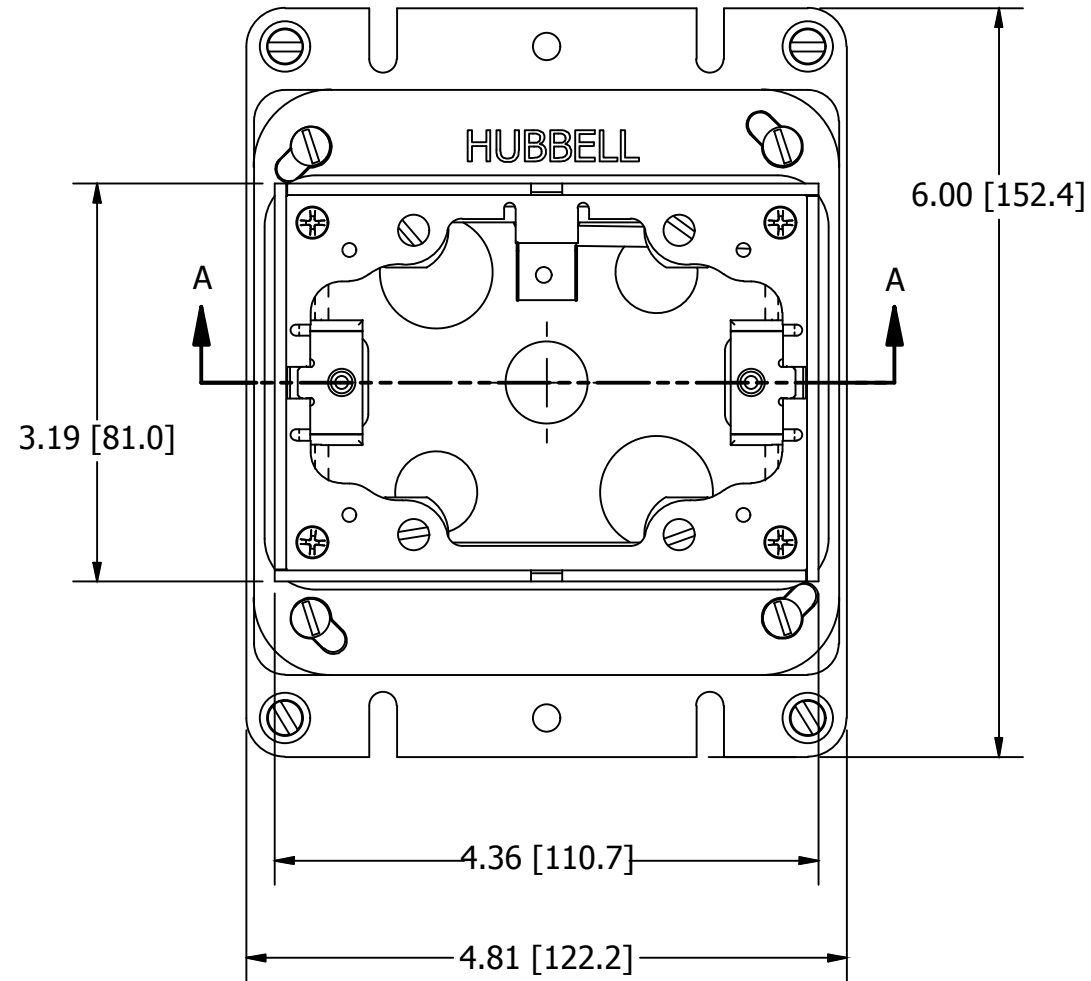
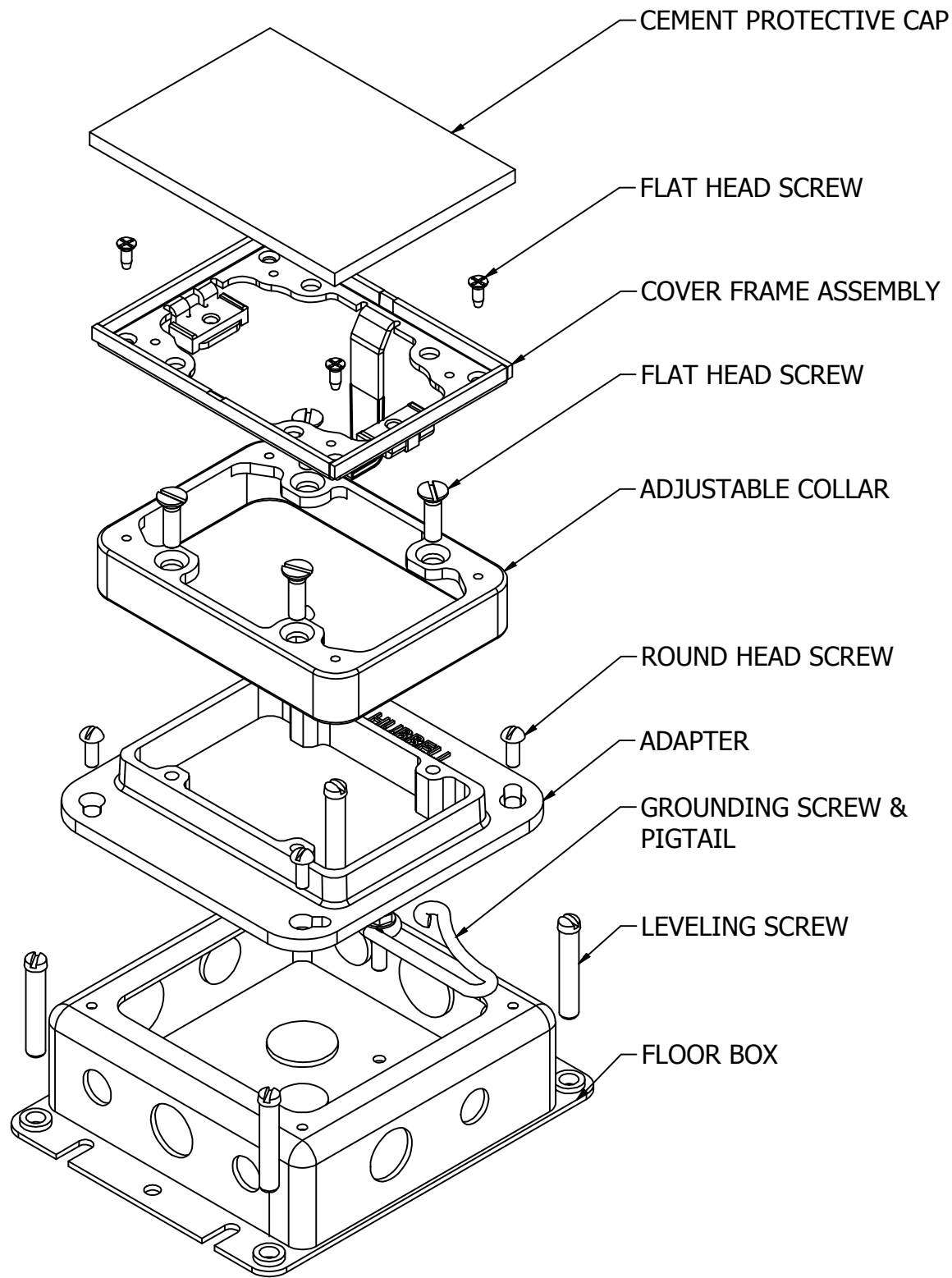


M-13174

1



SECTION A-A
THROUGH FLOOR BOX

NOTES:

1. PRODUCT IS UL & CSA LISTED.COMPLIES WITH UL 514A, CSA C22.2 NO. 85-14.

LIST OF PARTS

DESCRIPTION	MATERIAL	FINISH
FLOOR BOX (1-GANG)	GRAY IRON	GRAY
ADAPTER	GRAY IRON	GRAY
ADJUSTABLE COLLAR	GRAY IRON	GRAY
COVER FRAME ASSY	BRASS	BROWN
LEVELING SCREW	STEEL	ZINC PLATE
SCREW FLAT HEAD	STEEL	ZINC PLATE
SCREW ROUND HEAD	STEEL	ZINC PLATE
GROUNDING SCREW & PIGTAIL	COPPER	GREEN INSUL
PROTECTIVE CAP	STEEL	TIN PLATE

1	INITIAL RELEASE. PER DCN 22067	DDL	04/18/16
REV	DESCRIPTION	APP	DATE

THE DESIGN AND DIMENSIONS OF THE PRODUCT SHOWN ON THIS DRAWING ARE SUBJECT TO CHANGE WITHOUT NOTICE. DIMENSIONS ARE IN INCHES [mm].

TITLE

STAMPED STEEL, RECTANGULAR, ONE GANG, 3.00" DEEP FAMILY



WIRING DEVICE-KELLEMS
HUBBELL INCORPORATED
SHELTON, CT

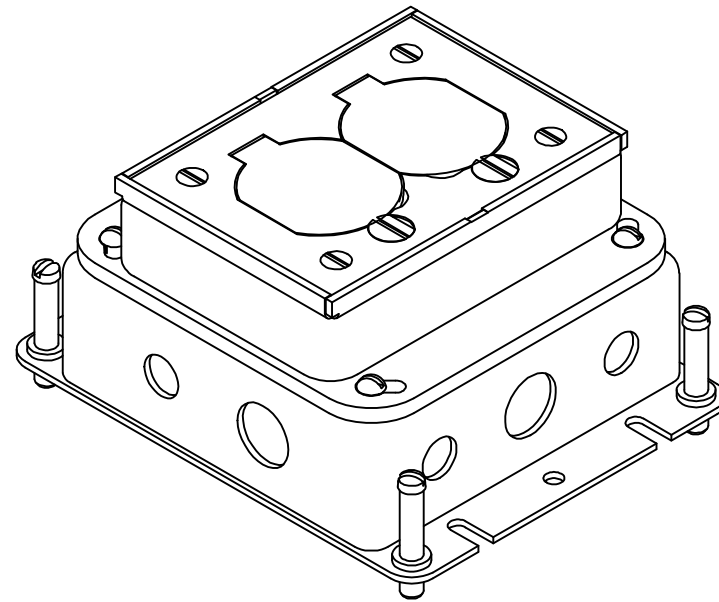
TOLERANCES UNLESS OTHERWISE SPECIFIED
.XX = ±.01
.XXX = ±.005
ANGLE TOL. ±2'

DR. BY
CHK. BY DDL

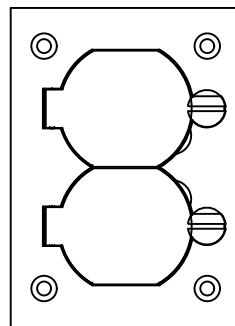
SCALE NONE
DATE 04/15/16

M-13174

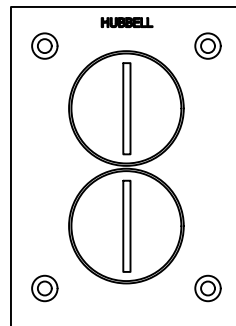
1



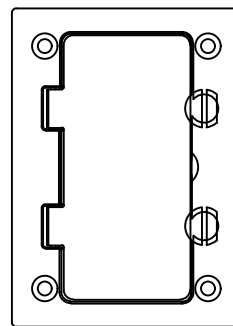
B2429
BA2429
STAMPED STEEL FLOOR BOX



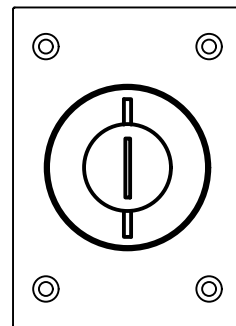
S3825
SA3825



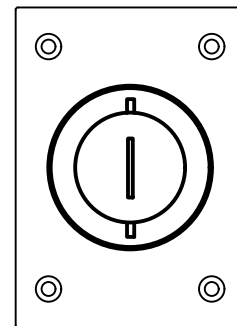
S3625
SA3625



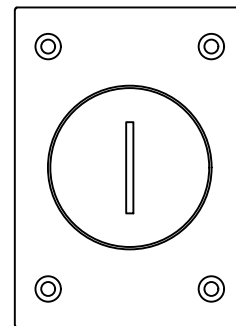
S3826
SA3826



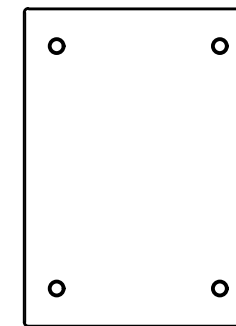
S2425
SA2425



S2625
SA2625



S2825
-



S3813
SA3813

SHOWN SINGLE SERVICE COVERS SOLD SEPARATELY

LIST OF PARTS

DESCRIPTION	MATERIAL	FINISH
SEE SHEET 1		

DIMENSION SHEET FOR CAT. NO.
B2429, BA2429

1	INITIAL RELEASE. PER DCN 22067	DDL	04/18/16
REV	DESCRIPTION	APP	DATE

THE DESIGN AND DIMENSIONS OF THE
PRODUCT SHOWN ON THIS DRAWING ARE
SUBJECT TO CHANGE WITHOUT NOTICE.
DIMENSIONS ARE IN INCHES [mm].

TITLE
STAMPED STEEL, RECTANGULAR, ONE
GANG, 3.00" DEEP FAMILY



WIRING DEVICE-KELLEMS
HUBBELL INCORPORATED
SHELTON, CT

TOLERANCES UNLESS OTHERWISE SPECIFIED .XX = ± .01 .XXX = ± .005 ANGLE TOL. ±2'	DR. BY	SCALE	NONE
	CHK. BY	DATE	04/15/16

B

M-13174

1