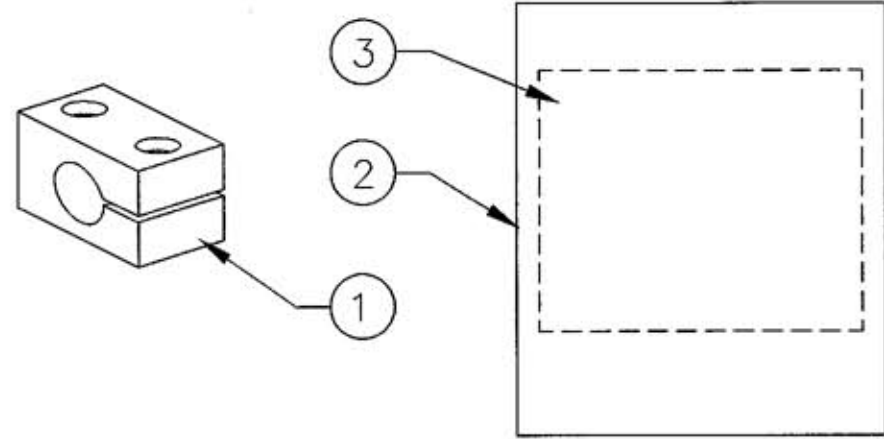
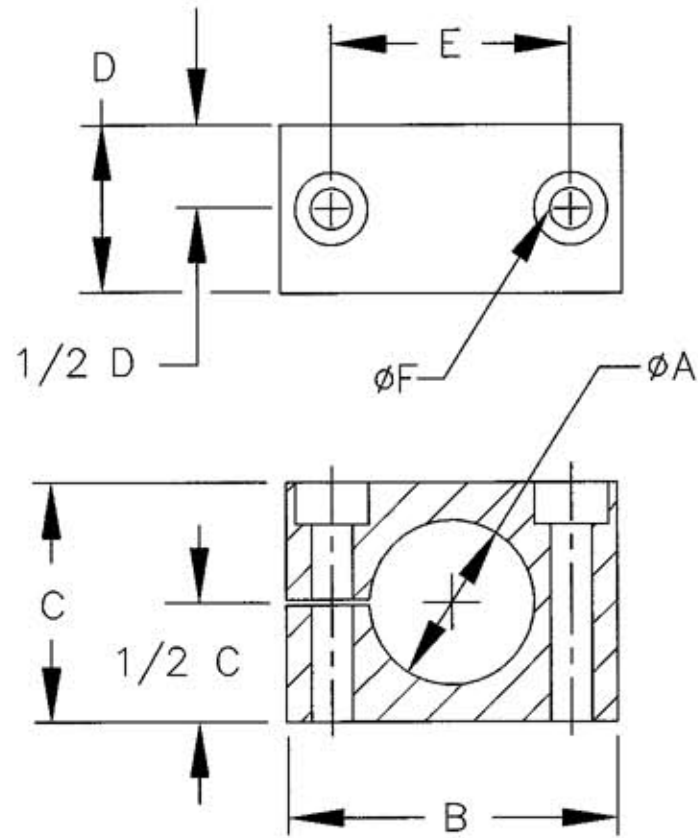


# M-8792 | 1

HUBBELL MODEL	A	B	C	D	E	F	WEIGHT (OZ.)
BM08M	8.05(0.32)	25.4(1.00)	15.8(0.62)	19.0(0.75)	18.4(0.72)	3.58(0.14)	0.5
BM12M	12.1(0.48)	38.1(1.50)	25.4(1.00)	19.0(0.75)	24.9(0.98)	5.08(0.20)	1.4
BM18M	18.1(0.71)	38.1(1.50)	31.7(1.25)	25.4(1.00)	30.7(1.21)	4.58(0.18)	2.4
BM30M	30.1(1.18)	63.5(2.50)	50.8(2.00)	34.9(1.38)	51.5(2.03)	6.73(0.26)	6.7



LIST OF PARTS		
DESCRIPTION	MATERIAL	FINISH
BLOCK MOUNT	ALUMINIUM	ANODIZED - BLACK

DIMENSION SHEET FOR CAT. NO. **M-8792**  
 REPAIRABLE  NON-REPAIRABLE

1	5/3/02 "X" REMOVED; LAST "X" REVISION WAS X-0. RELEASED FOR PRODUCTION PER DCN #9320. GDR MJL	APP	DATE

THE DESIGN AND DIMENSIONS OF THE PRODUCT SHOWN ON THIS DRAWING ARE SUBJECT TO CHANGE WITHOUT NOTICE

TITLE  
**BLOCK STYLE SENSOR MOUNTS, METAL SLOT TYPE**

TOLERANCES UNLESS OTHERWISE SPECIFIED FRACTIONS ±1/64 DECIMALS ±005 ANGLES ±2°	WIRING DEVICE-KELLEMS HUBBELL INCORPORATED BRIDGEPORT, CT	
	DR. BY GDR	APP. BY MJL
	TR. BY	SCALE NONE
	CHK'D BY	DATE 5/3/02

UNLESS OTHERWISE SPECIFIED DIMENSIONS ARE IN mm (INCHES)