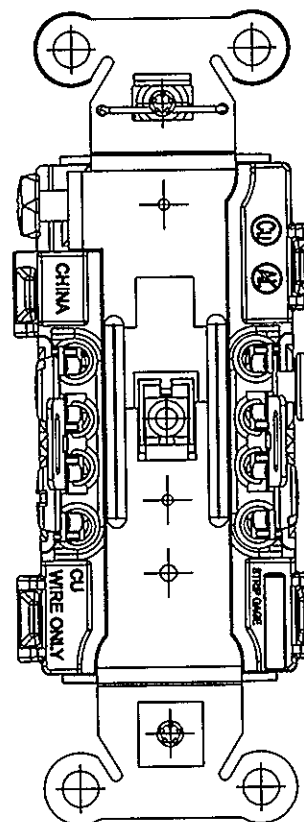
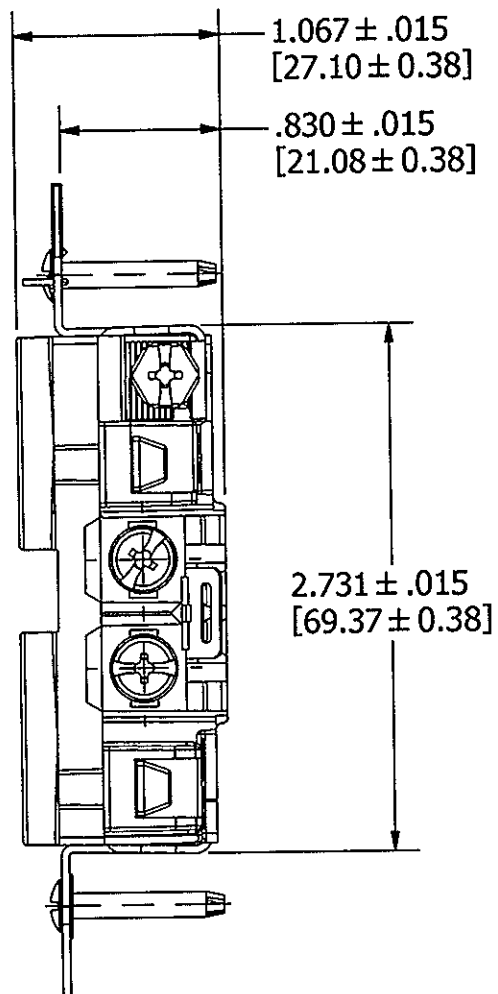
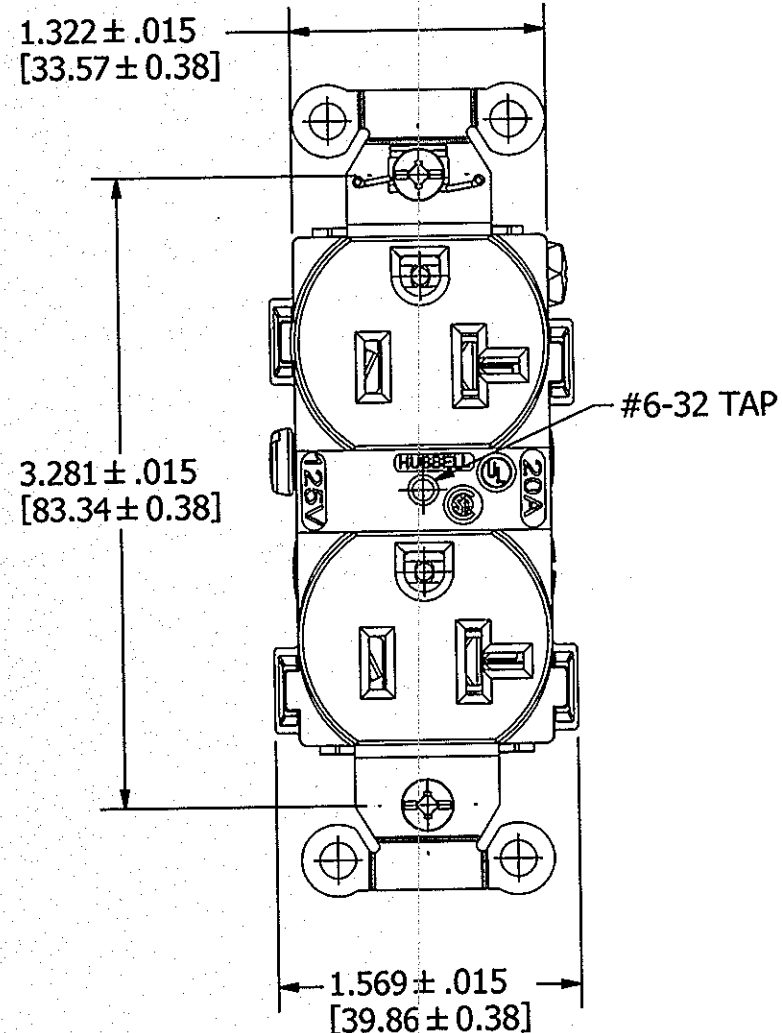


M-10318

5



NOTES:

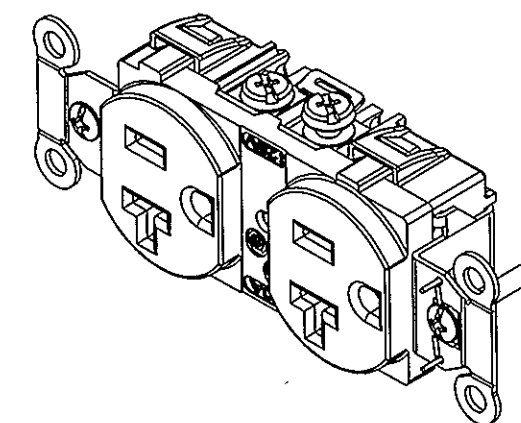
1. DIMENSIONS ARE IN INCHES [mm].
2. ALL DEVICES UL LISTED, CSA AND FED. SPEC. CERTIFIED.
3. TERMINALS ACCOMMODATE #14 - #10 AWG COPPER WIRE ONLY.

HUBBELL CATALOG NUMBERS

BROWN	IVORY	GRAY	WHITE	BLACK	ALMOND	BLUE	LIGHT ALMOND	RED	ORANGE	OFFICE WHITE	GREEN
BR20	BR20I	BR20G	BR20W	BR20BLK	BR20AL	BR20BL	BR20LA	BR20R	-	BR20OW	BR20GN

LIST OF PARTS

DESCRIPTION	MATERIAL	FINISH
TOP	NYLON 6/6	SPI A-3
BASE	NYLON 6/6	SPI A-3
LINE CONTACTS	BRASS	
GROUND CONTACTS	BRASS	
CONTACT SCREW (NEU)	STEEL	NI PLT
CONTACT SCREW (HOT)	STEEL	
BRIDGE	.04 in GALV STL	
GROUND SCREW	STEEL	GREEN
STAPLE	S.S.	
WASHER	PVC FILM	BLACK
MOUNTING SCREW	STEEL	ZINC PLT



**CATALOG NO. BR20
(NOT SHOWN TO SCALE)**

5	REDRAWN WITH EMBEDDED CAD MODEL WITH NO CHANGES TO PART GEOMETRY. PER DCN 21895 SPN	DJP	2/5/16
REV	DESCRIPTION	APP	DATE

THE DESIGN AND DIMENSIONS OF THE PRODUCT SHOWN ON THIS DRAWING ARE SUBJECT TO CHANGE WITHOUT NOTICE

TITLE
HUBBELL
20A 125V, 2P 3W, SMOOTH FACE DUPLEX RECEPT. BACK & SIDE WIRE

TOLERANCES UNLESS OTHERWISE SPECIFIED .XX = ± .01 .XXX = ± .005 ANGLES = ± 2°	WIRING DEVICE-KELLEMS HUBBELL INCORPORATED SHELTON, CT		
	DR. BY	WRV	APP. BY
	TR. BY		SCALE 1:1
	CHK. BY		DATE 3/07

DIMENSION SHEET FOR CAT. NO. SEE TABLE

REPAIRABLE

NON-REPAIRABLE

B

M-10318

5