

M7405

DR. NO.

SHEET

4

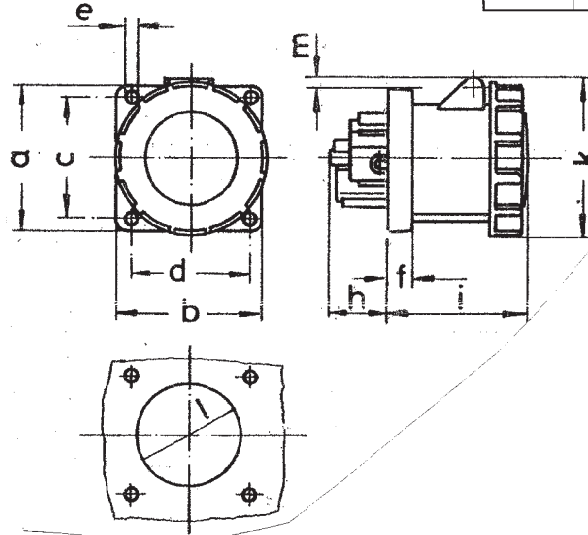
3

2

1

KEY	20 & 16 AMPERE						30 & 32 AMPERE					
	3 WIRE		4 WIRE		5 WIRE		3 WIRE		4 WIRE		5 WIRE	
	MM	INCHES	MM	INCHES	MM	INCHES	MM	INCHES	MM	INCHES	MM	INCHES
a	75	2.93	75	2.93	75	2.93	75	2.93	75	2.93	75	2.93
b	75	2.93	75	2.93	75	2.93	75	2.93	75	2.93	75	2.93
c	60	2.34	60	2.34	60	2.34	60	2.34	60	2.34	60	2.34
d	60	2.34	60	2.34	60	2.34	60	2.34	60	2.34	60	2.34
e	∅ 5.5	.22	5.5	.22	5.5	.22	5.5	.22	5.5	.22	5.5	.22
f	7	.27	7	.27	7	.27	8	.31	8	.31	8	.31
h	17	.66	26	1.01	17	.66	36	1.40	36	1.40	19	.74
i	57	2.22	58	2.26	57	2.22	65	2.54	65	2.54	65	2.54
k	76	2.96	83	3.24	93	3.63	100	3.9	100	3.9	100	3.9
l	∅ 45	1.76	45	1.76	55	2.15	60	2.34	60	2.34	60	2.34
m	3.5	.14	7	.27	11.5	.45	12	.47	12	.47	17	.66

KEY	60 & 63 AMPERE						100 & 125 AMPERE					
	3 WIRE		4 WIRE		5 WIRE		3 WIRE		4 WIRE		5 WIRE	
	MM	INCHES	MM	INCHES	MM	INCHES	MM	INCHES	MM	INCHES	MM	INCHES
a	107	4.17	107	4.17	107	4.17	120	4.68	120	4.68	120	4.68
b	100	3.9	100	3.9	100	3.9	120	4.68	120	4.68	120	4.68
c	85	3.32	85	3.32	85	3.32	100	3.9	100	3.9	100	3.9
d	77	3.00	77	3.00	77	3.00	100	3.9	100	3.9	100	3.9
e	∅ 6.5	.25	6.5	.25	6.5	.25	6.5	.25	6.5	.25	6.5	.25
f	12	.47	12	.47	12	.47	21	.82	21	.82	21	.82
h	56.5	2.20	56.5	2.20	56.5	2.20	50	1.95	50	1.95	50	1.95
i	76	2.96	76	2.96	76	2.96	117	4.56	117	4.56	117	4.56
k	113	4.41	113	4.41	113	4.41	129	5.03	129	5.03	129	5.03
l	∅ 88	3.43	88	3.43	88	3.43	92	3.62	92	3.62	92	3.62
m	7	.27	7	.27	7	.27	6	.23	6	.23	6	.23



CATALOGS
RECEPTACLE WATERTIGHT

20A & 16A	30A & 32A	60A & 63A	100A & 125A
C320R4W	C330R6W	C460R5W	C4100R5W
C320R6W	C330R7W	C460R7W	C4100R7W
C420R5W	C430R5W	C460R9W	C4100R9W
C420R7W	C430R7W	C560R9W	C4100R12W
C420R9W	C430R9W		C5100R9W
C420R12W	C530R7W		
	C530R9W		
		C360R6W	
C3:6R4W	C332R4W	C353R6W	C4125R6W
C3:6R6W	C332R6W	C453R6W	C5125R6W
C4:6R6W	C432R3W	C553R6W	
C5:6R6W	C432R6W		
	C532R6W		

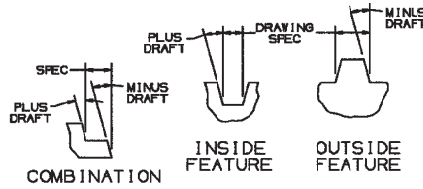
MATERIAL SPECIFICATIONS

MATERIAL: _____
 COLOR: _____
 FOR FULL INFORMATION ON MATERIAL
 SEE HUBBELL PRAMP INFORMATION SHEET
 DIMENSIONS IN INCH SCALE = NONE
 & MM
 ∅ = DIAMETER

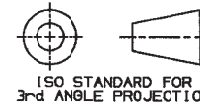
4/1/96

DRAFT SPECIFICATIONS

DRAFT - X° MAX DRAFT UNLESS
OTHERWISE SPECIFIED, INTERPRETED
AS FOLLOWS:



"IN ACCEPTING OUR DRAWINGS OR
BLUEPRINTS FOR QUOTATION OR OTHER
PURPOSES, YOU AGREE NOT TO DISCLOSE
TO OTHERS THE IDEAS, INFORMATION
OR DESIGNS THEREIN SHOWN, AND THAT
YOU WILL MAKE NO USE OF OUR DRAWINGS
OR BLUEPRINTS OR OF THE IDEAS,
INFORMATION OR DESIGNS THEREIN SHOWN
WITHOUT OUR PERMISSION."



ISO STANDARD FOR
3rd ANGLE PROJECTION

DO NOT SCALE
DRAWING
USE DIMENSIONS ONLY

TITLE
PIN & SLEEVE
WATERTIGHT RECEPTACLE

TOLERANCES UNLESS
OTHERWISE SPECIFIED
 .XX = ±.01
 .XXX = ±.005
 .XXXX = ±.0025
 ANGLE TOL. ± 1°
 WIRING DEVICE DIVISION
 HUBBELL INCORPORATED
 BRIDGEPORT, CT.
 DR. BY *[Signature]* APP. BY _____
 PROJECT NO. _____ TR. BY _____ SCALE _____
 CHK. BY CHIP DATE 3/12/96

DR. NO.
M7405
SHEET 1 OF 1

SUB	REVISIONS
2	ADD 10, 32, 63 & 125A CATS CN7437 GK CP 3/28/86
3	1/21/98 100 & 125A KEY I ∅ 1 D2 W/S 04, 1, 06 WAS 3.28 PER DCL #5704 RCM CP
4	ADDED C360R6W ZONE A4 PER DON. 11919 T.J.V. 8-12-04