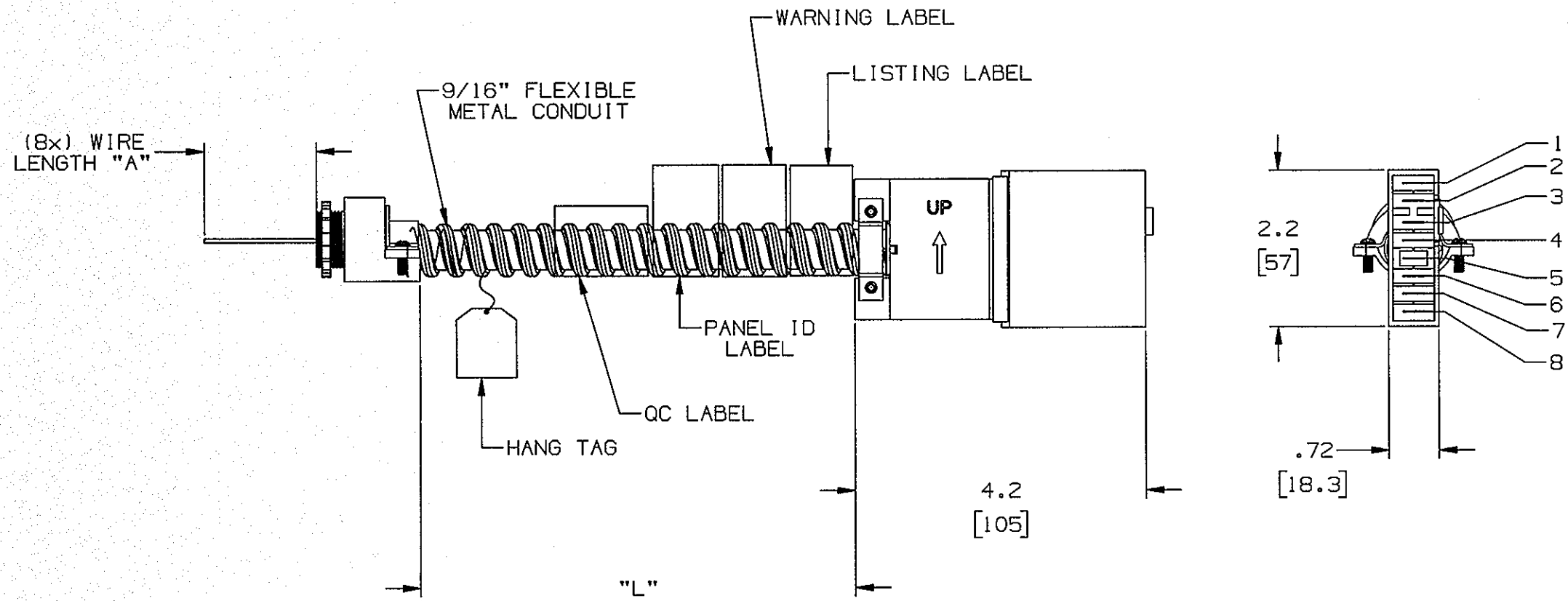


M-11865 2

GENERAL INFORMATION			
WIRE LOCATION	WIRE	WIRE COLOR	WIRE SIZE (AWG)
1	LINE (L3)	BLUE	#12
2	ISOLATED GROUND (IG)	GREEN/YELLOW	#12
3	GROUND (G)	GREEN	#12
4	NEUTRAL (N3)	GRAY	#12
5	NEUTRAL (N1)	WHITE	#12
6	LINE (L1)	BLACK	#12
7	LINE (L2)	RED	#12
8	NEUTRAL (N2)	WHITE/BLACK	#12

NOTES:

1. RATING: 20A 120/208 V.
2. ALL DIMENSIONS ARE IN INCHES [mm] EXCEPT THE FLEXIBLE METAL CONDUIT LENGTH IN FOOT.



LIST OF PARTS		
DESCRIPTION	MATERIAL	FINISH
WIRE	COPPER	
MALE CONNECTOR	THERMOPLASTIC	BLACK
CONDUIT	GALV. STEEL	
CLAMP	STEEL	ZINC PLATE
RIVET	STEEL	ZINC PLATE
INSULATOR	THERMOPLASTIC	
FITING	CAST. ALUM.	

DIMENSION SHEET FOR CAT. NO. **M-11865**
 REPAIRABLE NON-REPAIRABLE

SYM	REVISIONS	APP	DATE
2	ADDED FITTING PER DCN #21027	[Signature]	2/5/15
1	NEW RELEASE PER DCN #20674		6/17/14

THE DESIGN AND DIMENSIONS OF THE PRODUCT SHOWN ON THIS DRAWING ARE SUBJECT TO CHANGE WITHOUT NOTICE

TITLE
 MODULAR WIRING
 EXTENDER CABLE 3/3/2
 MALE TO OPEN WIRE

TOLERANCES UNLESS OTHERWISE SPECIFIED .XX = ±.01 .XXX = ±.005 ANGLES = ±2°	WIRING DEVICE-KELLEMS HUBBELL INCORPORATED SHELTON, CT	
	DR. BY DMP	APP. BY
	TR. BY	SCALE NONE
	CHK. BY	DATE 2/3/11

CATALOG NUMBER	DESCRIPTION	"L" LENGTH	"A" LENGTH
CEXT332MWL01	EXT CABLE, 3/3/2	1-FT.	12"
CEXT332MWL01XP	(3 HOTS, 3 NEUTRALS, 2	1-FT.	18"
CEXT332MWL05	GROUND), MALE TO	5-FT.	12"
CEXT332MWL15	OPEN	15-FT.	12"