

GENERAL INFORMATION

WIRE LOCATION	WIRE	WIRE COLOR	WIRE SIZE (AWG)
1	LINE (L3)	BLUE	#12
2	ISOLATED GROUND (IG)	GREEN/YELLOW	#12
3	GROUND (G)	GREEN	#12
4	NEUTRAL (N2)	GRAY	#10
5	NEUTRAL (N1)	WHITE	#10
6	LINE (L1)	BLACK	#12
7	LINE (L2)	RED	#12
8	LINE (L4)	PINK	#12

M-11869 2

NOTES:  
 1. RATING: 20A 120/208 V.  
 2. ALL DIMENSIONS ARE IN INCH [mm] EXCEPT THE FLEXIBLE METAL CONDUIT LENGTH IN FOOT.

LIST OF PARTS

DESCRIPTION	MATERIAL	FINISH
CONDUIT	GALV. STEEL	
MALE CONNECTOR	THERMOPLASTIC	GRAY
WIRE	COPPER	
CLAMP	STEEL	ZINC PLATE
RIVET	STEEL	ZINC PLATE
INSULATOR	THERMOPLASTIC	
FITTING	CAST ALUM.	

DIMENSION SHEET FOR CAT. NO.

SEE TABLE

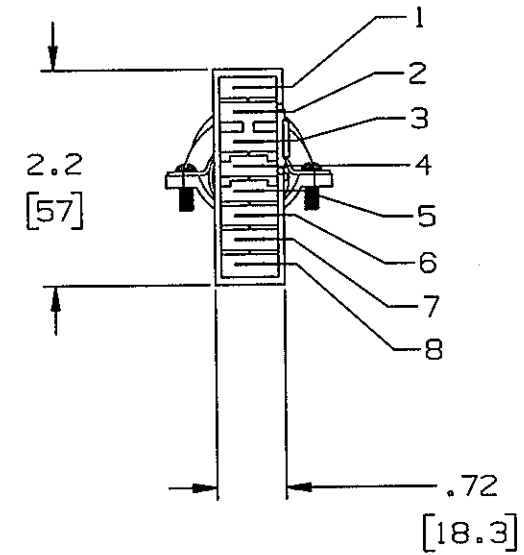
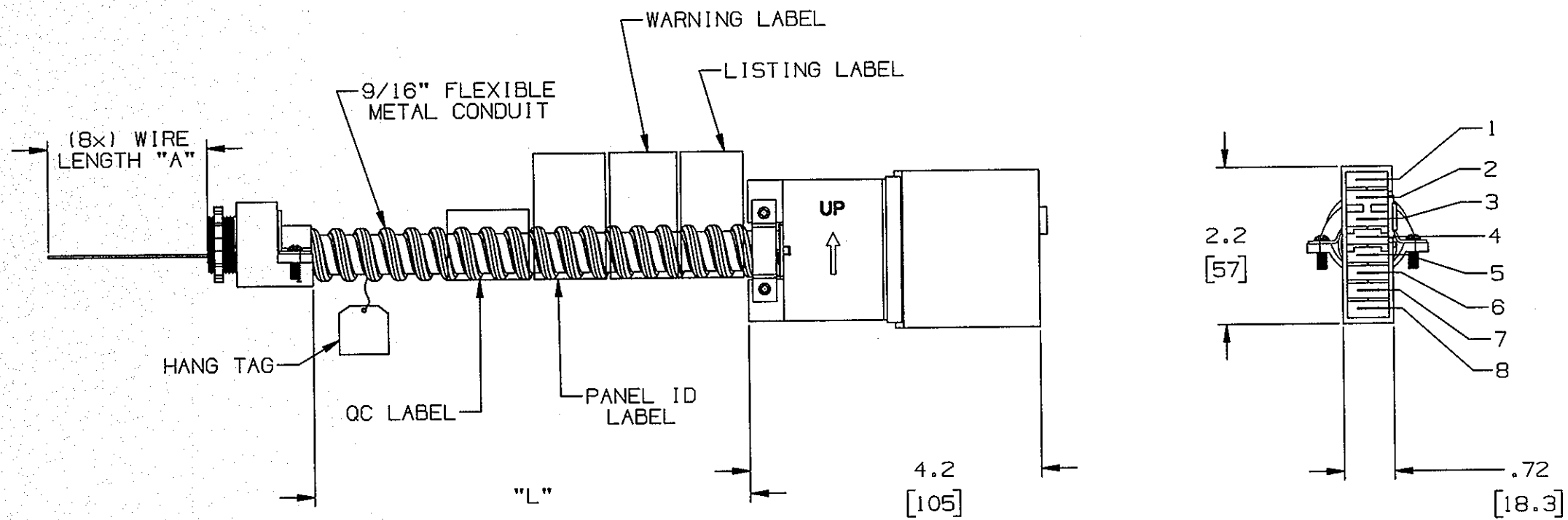
REPAIRABLE

NON-REPAIRABLE

B

M-11869

2



SYM	REVISIONS	APP	DATE
2	ADDED FITTING PER DCN #21027		2/6/2015
1	NEW RELEASE PER DCN #20674		4/15/2014

THE DESIGN AND DIMENSIONS OF THE PRODUCT SHOWN ON THIS DRAWING ARE SUBJECT TO CHANGE WITHOUT NOTICE

TITLE  
 MODULAR WIRING  
 EXTENDER CABLE 4/2/2  
 MALE TO OPEN WIRE

TOLERANCES UNLESS OTHERWISE SPECIFIED .XX = ±.01 .XXX = ±.005 ANGLES = ±2°	WIRING DEVICE-KELLEMS HUBBELL INCORPORATED SHELTON, CT	
	DR. BY DMP	APP. BY
	TR. BY	SCALE NONE
	CHK. BY	DATE 2/3/11

CATALOG NUMBER	DESCRIPTION	"L" LENGTH	"A" LENGTH
CEXT422MWL01	EXT CABLE, 4/2/2	1-FT.	12"
CEXT422MWL01XP	(4 HOTS, 2 NEUTRALS, 2 GROUNDS), MALE TO OPEN	1-FT.	18"
CEXT422MWL05		5-FT.	12"
CEXT422SMWL15		15-FT.	12"