

M-13868

1

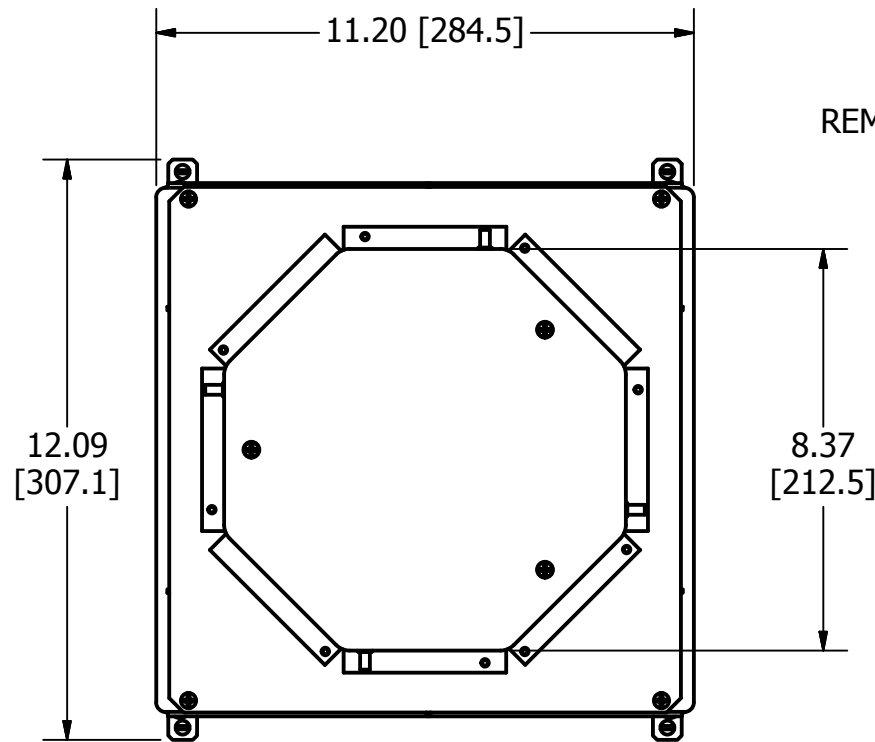
CONCENTRIC KNOCKOUTS

LOCATION	QUANTITY	TRADE SIZE
ENDS	2/END	1/2", 3/4", 1"
SIDES	2/SIDE	1/2", 3/4", 1"
BOTTOM	4	1/2", 3/4"
BOTTOM	4	1", 1-1/4"

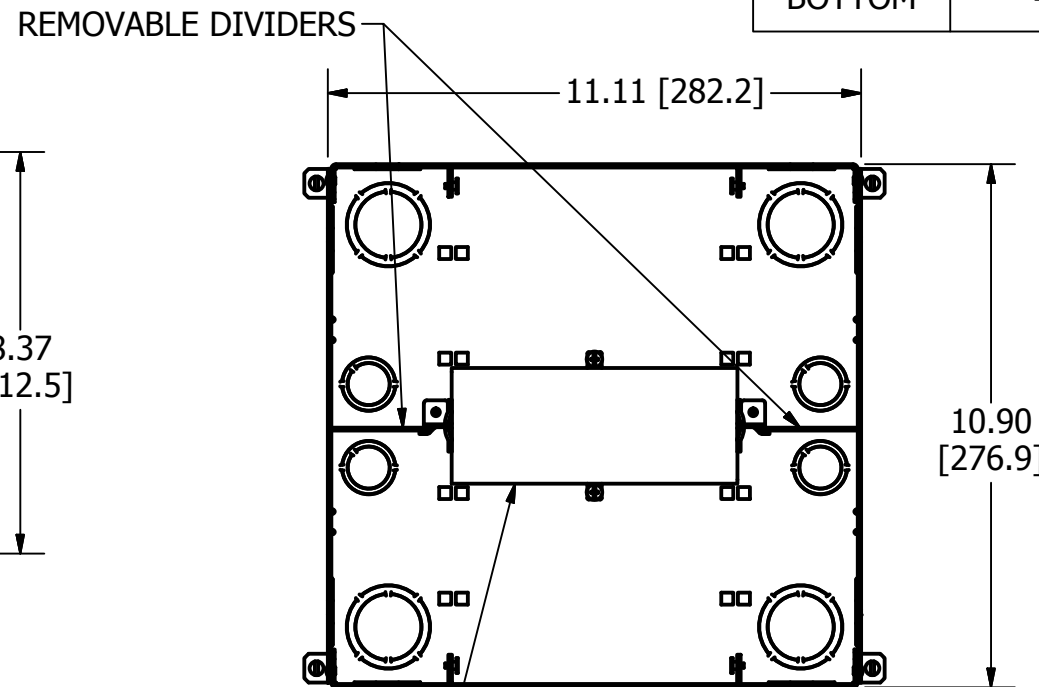
LIST OF PARTS

DESCRIPTION	MATERIAL	FINISH
BOX ASSEMBLY	16 GA. STEEL	ZINC **
TOP MOUNTING ASSY	14 GA. STEEL	ZINC
TRANSITION ASSY	14 GA. STEEL	ZINC
GROUND WIRES	COPPER	
WIRING CHANNEL	16 GA. STEEL	ZINC
REMOVABLE DIVIDERS	THERMOPLASTIC	
FASTENERS	STEEL	ZINC
TEMP COVER	14 GA. STEEL	ZINC

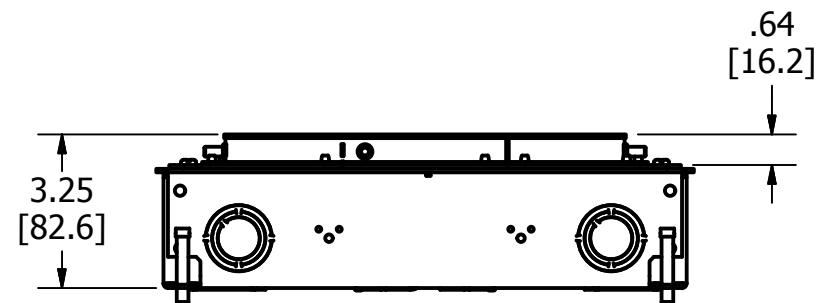
DIMENSION SHEET FOR CAT. NO. CFB4G25R, CFB4G25RCR



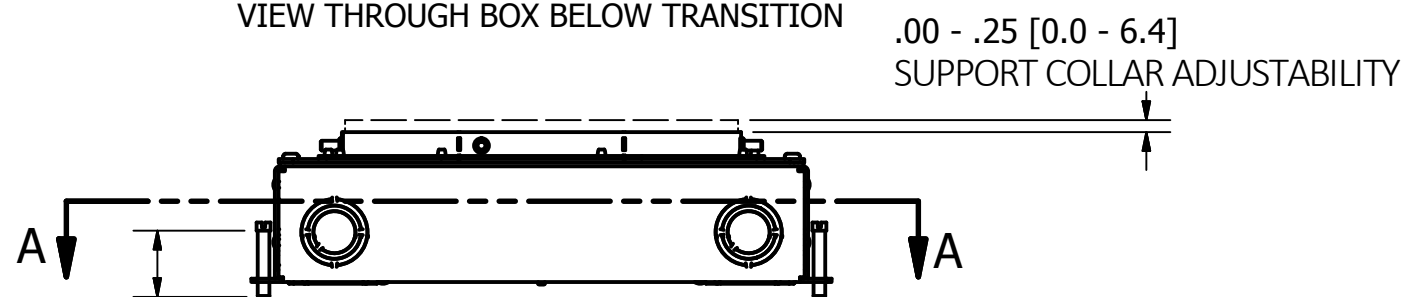
TOP VIEW



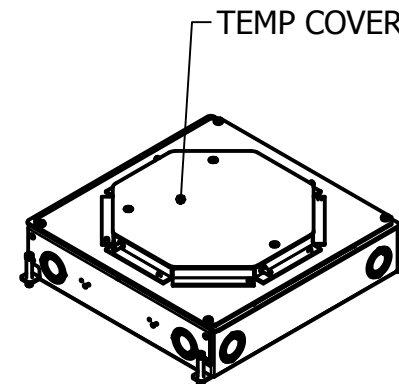
SECTION A-A  
VIEW THROUGH BOX BELOW TRANSITION



END VIEW



SIDE VIEW  
TEMP COVER NOT SHOWN



ISOMETRIC

NOTES:

1. ALL DIMENSIONS ARE IN INCHES AND [MILLIMETERS].
2. PRODUCT IS cULus LISTED. COMPLIES WITH UL 514A.
3. EACH GANG SUPPLIED WITH 6" [152.4] 12 GA. AWG GROUND PIGTAIL.
4. MINIMUM CONCRETE POUR: 3.25" [82.6].
5. WIRING CHAMBER VOLUMES: (4) 26.5 IN<sup>3</sup> [434.3 CM<sup>3</sup>].
6. WIRING CHANNEL AREA: (2) .39 IN<sup>2</sup> [250 MM<sup>2</sup>].

\*\* CATALOG NO. CFB4G25RCR BOX ASSEMBLY IS GALVANIZED AND EPOXY COATED ON EXTERIOR SURFACE.

1	RELEASED PER DCN 23642	SBW	3/19/18
REV	DESCRIPTION	APP	DATE

THE DESIGN AND DIMENSIONS OF THE PRODUCT SHOWN ON THIS DRAWING ARE SUBJECT TO CHANGE WITHOUT NOTICE. DIMENSIONS ARE IN INCHES [mm].

TITLE  
CONCRETE FLOOR BOX, 4 GANG FOR 8" ROUND COVER, SHALLOW



WIRING DEVICE-KELLEMS  
HUBBELL INCORPORATED  
SHELTON, CT

TOLERANCES UNLESS OTHERWISE SPECIFIED .XX = ±.01 .XXX = ±.005 ANGLE TOL. ±2'	DR. BY SBW	SCALE 1/4
	CHK. BY	DATE 3/5/2018