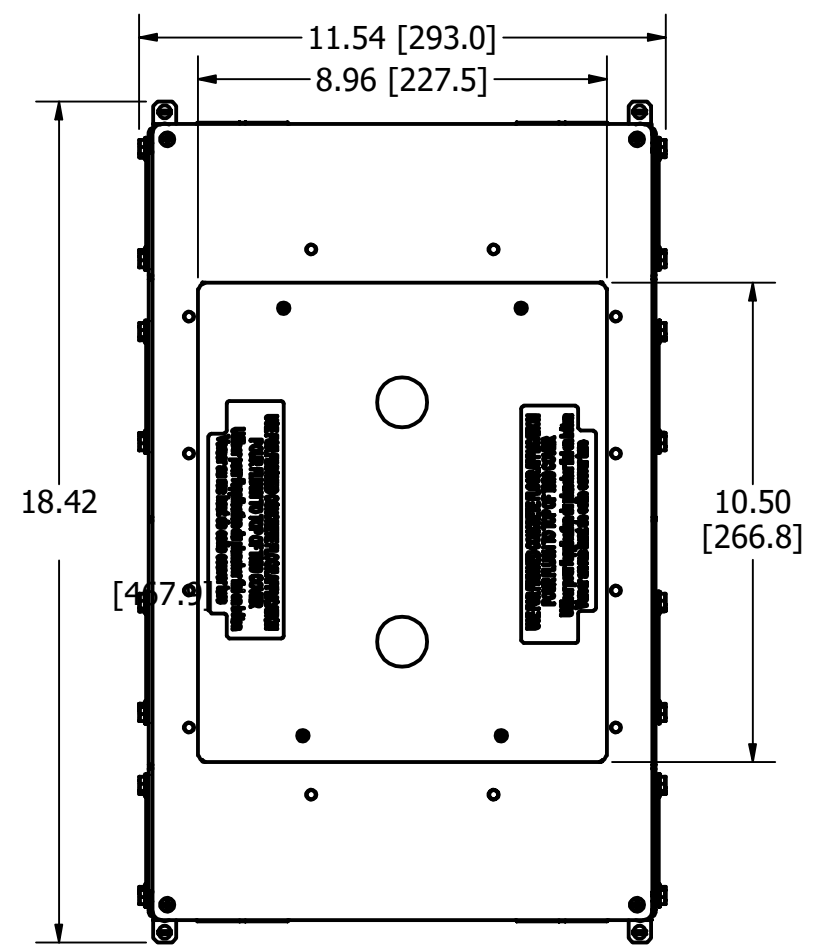
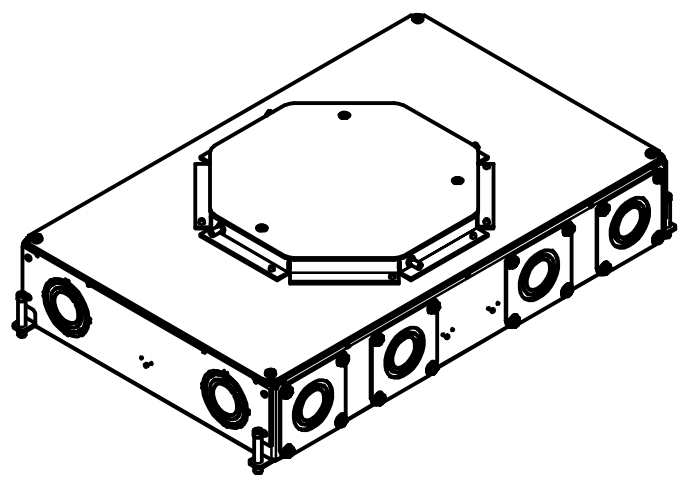


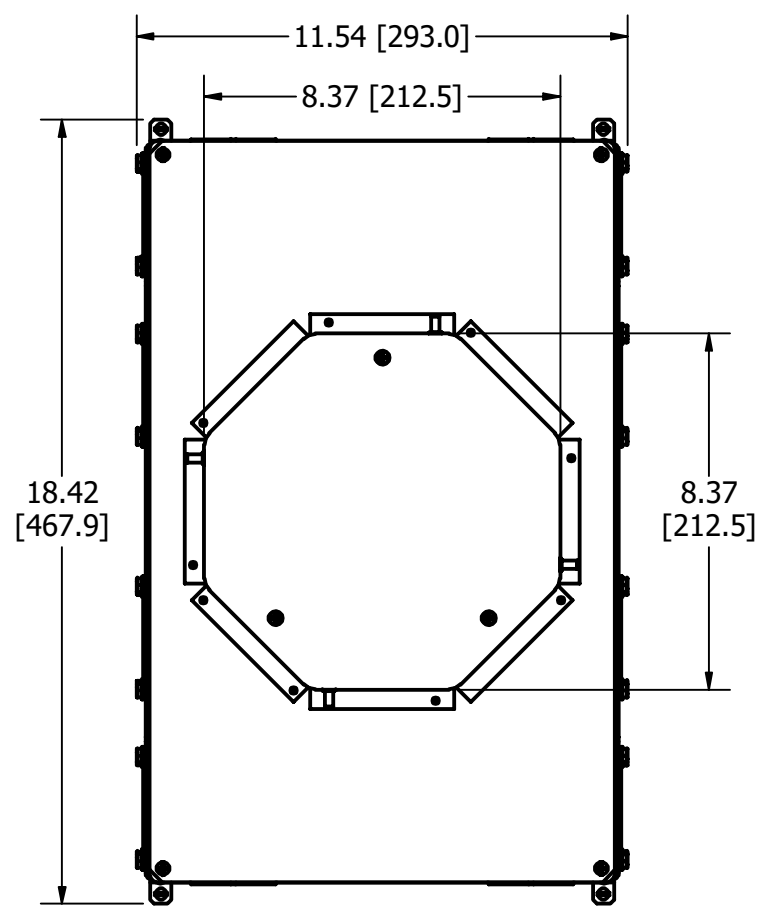
CFB6G30 / CFB6G30CR
(RECTANGULAR COVER FOR 3" MIN POUR)



TOP VIEW



CFB6G30R / CFB6G30RCR
(ROUND COVER FOR 3 3/4" MIN POUR)



TOP VIEW

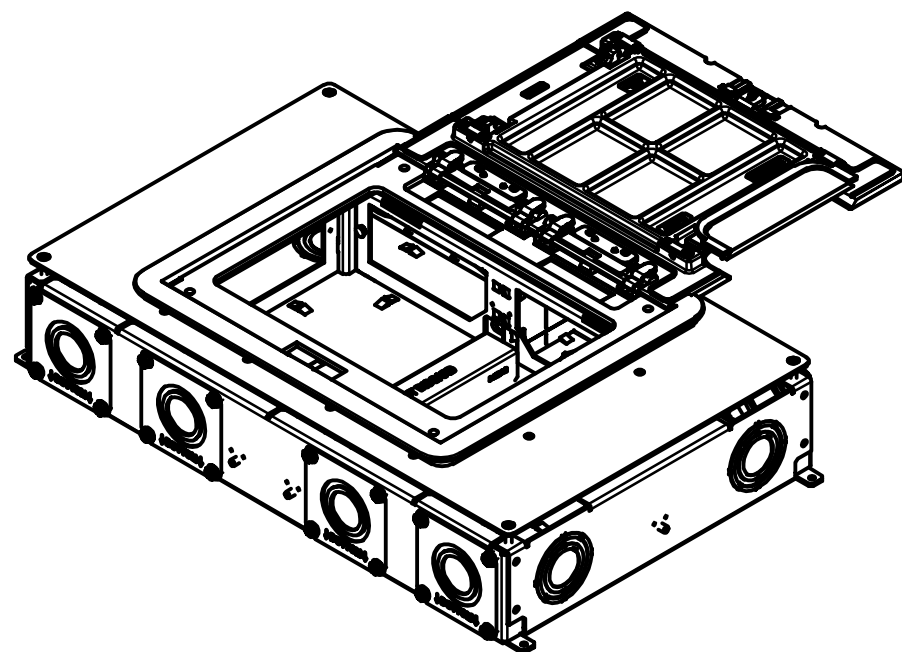
NOTES:

1. CFB6G30 SERIES SUPPLIED WITH RECTANGULAR COVER FOR 3 INCH MIN. POUR.
2. CFB6G30R SERIES SUPPLIED WITH ROUND COVER FOR 3 3/4 INCH MIN. POUR.
3. BOX TYPE WHICH INCLUDES STANDARDS, CORROSION-RESISTANT.
4. FOLLOW MANUFACTURERS DIRECTIONS AND GUIDELINES FOR THE INSTALLATION AND MOUNTING OF THE FLOOR BOX AND ALL OF THE ASSOCIATED COMPONENTS.

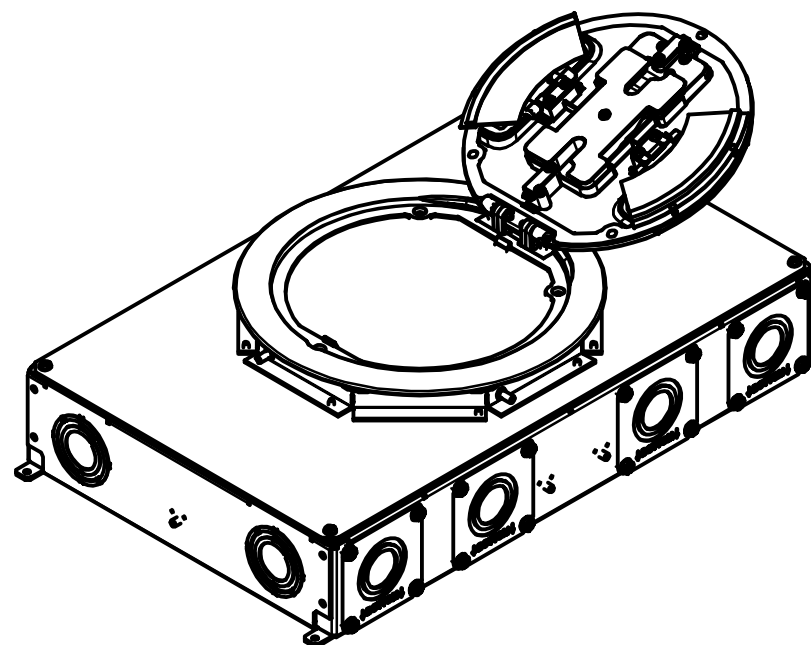
THE DESIGN AND DIMENSIONS OF THE PRODUCT SHOWN ON THIS DRAWING ARE SUBJECT TO CHANGE WITHOUT NOTICE

TITLE
6 GANG RECESSED FLOOR BOX

TOLERANCES UNLESS OTHERWISE SPECIFIED .XX = ± .01 .XXX = ± .005 ANGLES = ± 2°	WIRING DEVICE-KELLEMS HUBBELL INCORPORATED SHELTON, CT	
	DR. BY	APP. BY
	TR. BY	SCALE
	CHK. BY	DATE

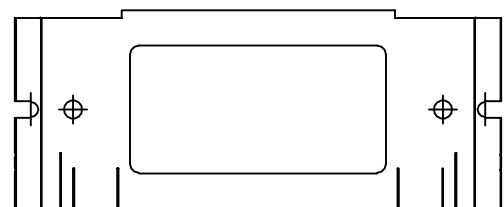


CFB6G30 / CFB6G30CR
(RECTANGULAR COVER OPEN)

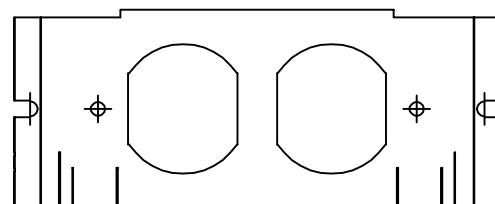


CFB6G30R / CFB6G30RCR
(ROUND COVER OPEN)

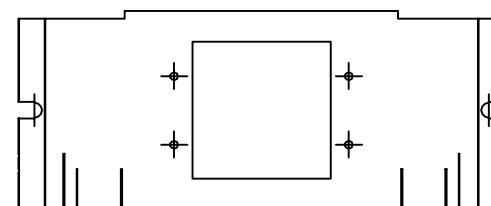
SYSTEM ONE 6 GANG PLATES AND ACCESSORIES



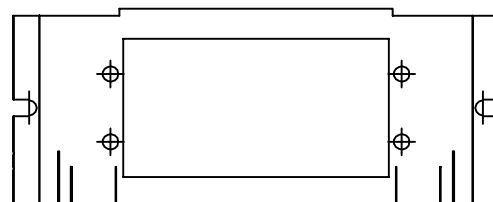
CATALOG NO.	DESCRIPTION
FBMPREC	STYLELINE DECORATOR PLATE



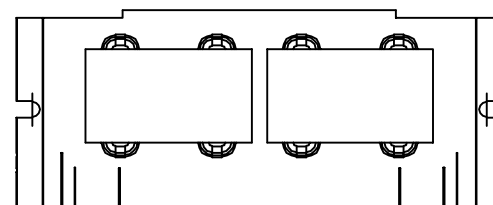
CAT. No.	DESCRIPTION
FBMPDUP	DUPLEX



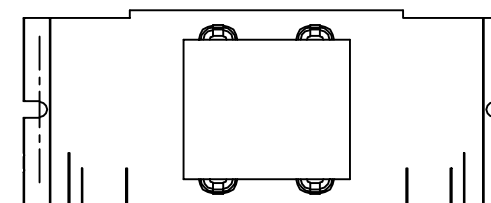
CAT. No.	DESCRIPTION
FBMPMAAP	EXTRON MAAP OR FR IPS



CAT. No.	DESCRIPTION
FBMPAAP	2-UNIT EXTRON AAP



CAT. No.	DESCRIPTION
FBMP2IM	2-UNIT iSTATION®



CAT. No.	DESCRIPTION
FBMP15IM	1.5-UNIT iSTATION®

THE DESIGN AND DIMENSIONS OF THE PRODUCT SHOWN ON THIS DRAWING ARE SUBJECT TO CHANGE WITHOUT NOTICE

TITLE
6 GANG RECESSED FLOOR BOX

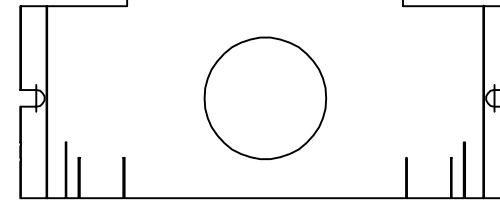
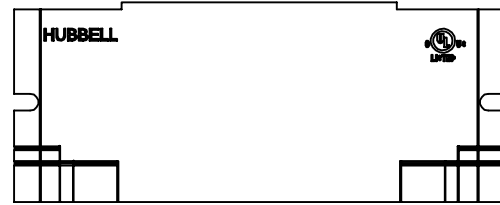
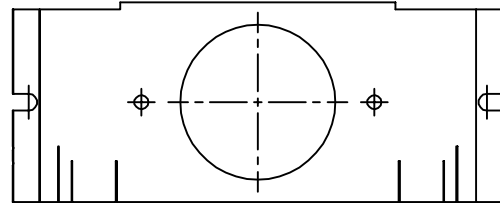
TOLERANCES UNLESS OTHERWISE SPECIFIED

.XX = ± .01
.XXX = ± .005
ANGLES = ± 2°

WIRING DEVICE-KELLEMS
HUBBELL INCORPORATED
SHELTON, CT

DR. BY	APP. BY
TR. BY	SCALE
CHK. BY	DATE

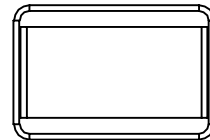
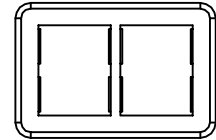
SYSTEM ONE 6 GANG PLATES AND ACCESSORIES



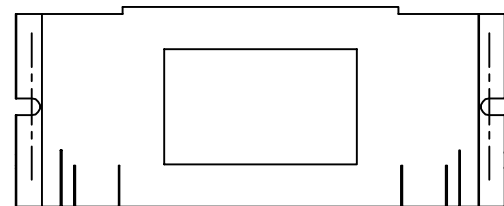
CAT. No.	DESCRIPTION	DIM "A"
FBMP156	TWISTLOCK®	ø1.60 [40.5]
FBMP139	SIMPLEX OR TWISTLOCK®	ø1.41 [35.7]

CAT. No.	DESCRIPTION
FBMPBNK	BLANK PLATE

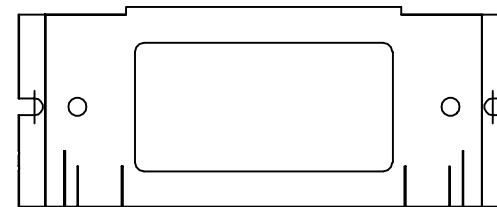
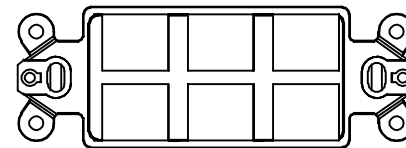
CAT. No.	DESCRIPTION
FBMPFT	FEED THRU (INCLUDES BUSHING)



THERMOPLASTIC INSERT SUPPLIED



CAT. No.	DESCRIPTION
FBMPTRAC	FOR TWO ORTRONICS TrackJack® OR ONE Series II® DATACOM INSERT



CAT. No.	DESCRIPTION
FBMP6KS	6-PORT KEYSTONE BEZEL

DIMENSION SHEET FOR CAT. NO. CFB6GXX, CFB6GXXR

REPAIRABLE

NON-REPAIRABLE

B

6 G RECESSED FLOOR BOX

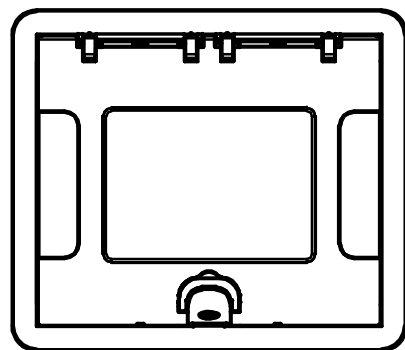
THE DESIGN AND DIMENSIONS OF THE PRODUCT SHOWN ON THIS DRAWING ARE SUBJECT TO CHANGE WITHOUT NOTICE

TITLE
6 GANG RECESSED FLOOR BOX

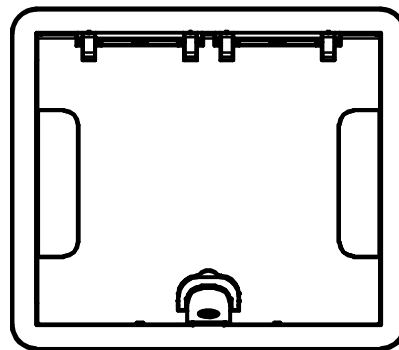
TOLERANCES UNLESS OTHERWISE SPECIFIED .XX = ± .01 .XXX = ± .005 ANGLES = ± 2°	WIRING DEVICE-KELLEMS HUBBELL INCORPORATED SHELTON, CT	
	DR. BY	APP. BY
	TR. BY	SCALE
	CHK. BY	DATE

- * THE FLOOR BOXES, COVERS AND SUB-PLATES ARE ALL UL514A & cULus LISTED.
- * AVAILABLE IN PRE-WIRED PLATES WHICH REDUCES WIRING AND INSTALLATION TIMES FOR 15A AND 20A.
- * MOUNTING HARDWARE INCLUDED.

SYSTEM ONE 6 GANG RECTANGULAR COVER- SURFACE STYLE

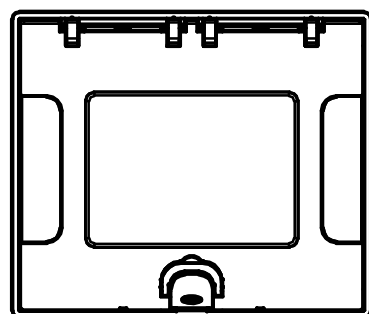


610GCCVRXX (RECESS)

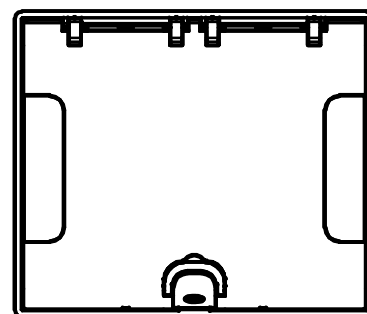


610GCCVRXXC (NO RECESS)

SYSTEM ONE 6GANG RECTANGULAR COVER- FLUSH STYLE

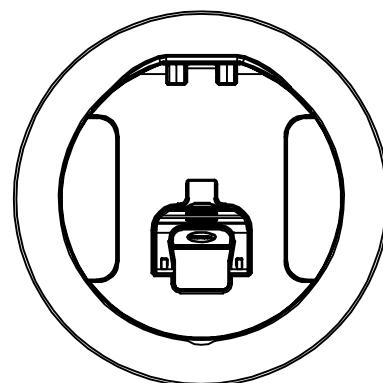


610GTCVRXX (RECESS)



610GTCVRXXC (NO RECESS)

SYSTEM ONE 6 GANG ROUND COVER



CFBS1R8CVRXXX
CFBS1R8CVRBLK - BLACK
CFBS1R8CVRNKL - NICKEL

* XX INDICATES FLOOR BOX ON THIS PAGE ARE AVAILABLE IN THE FOLLOWING COVER COLOR OPTION AS INDICATED BY THE CATALOG NUMBERS. ALU-ALUMINUM POWDER COAT, BK- BLACK POWDER COAT, BRS- BRASS POWDER COAT, BRZ- BRONZE POWDER COAT, NK- SATIN NICKEL POWDER COAT.

THE DESIGN AND DIMENSIONS OF THE PRODUCT SHOWN ON THIS DRAWING ARE SUBJECT TO CHANGE WITHOUT NOTICE

TITLE
 6 GANG RECESSED FLOOR BOX

TOLERANCES UNLESS OTHERWISE SPECIFIED .XX = ± .01 .XXX = ± .005 ANGLES = ± 2°	WIRING DEVICE-KELLEMS HUBBELL INCORPORATED SHELTON, CT	
	DR. BY	APP. BY
	TR. BY	SCALE
	CHK. BY	DATE