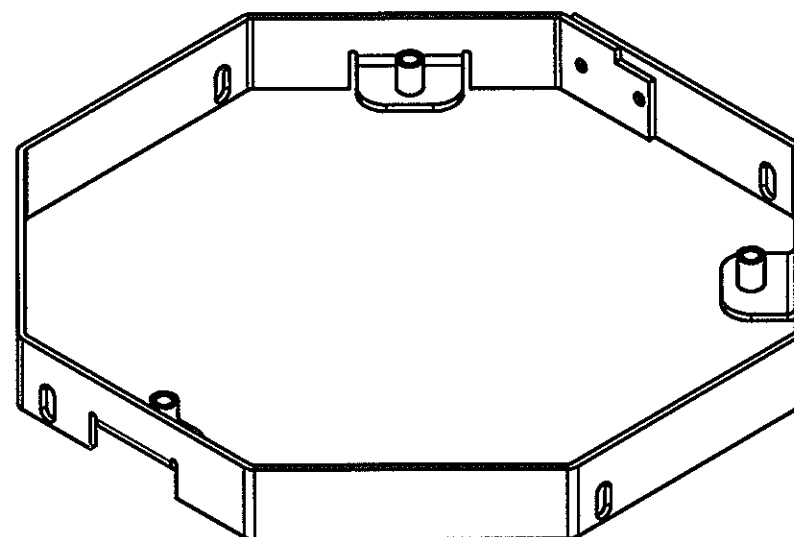
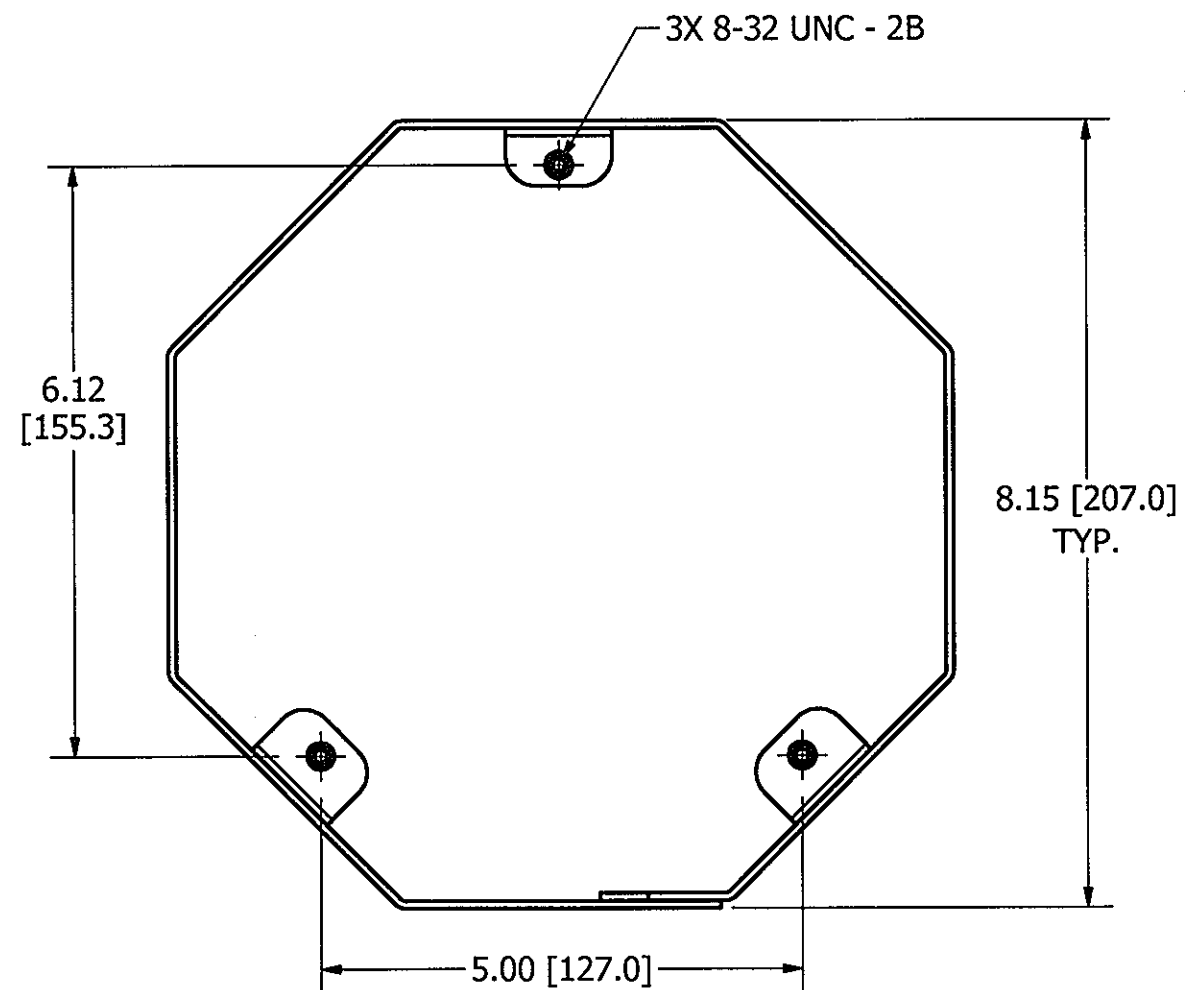
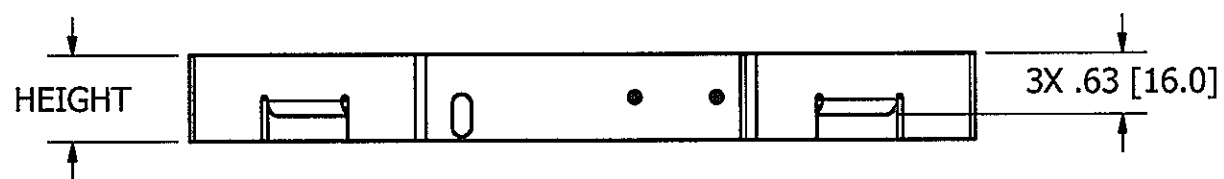


M-12490

1



ISOMETRIC



CFB8RCVRR2 SHOWN

NOTES:

1. ALL DIMENSIONS ARE IN INCHES AND [MILLIMETERS].
2. PRODUCT IS cULus LISTED. COMPLIES WITH UL 514A.
3. FOR USE WITH CFB SERIES FLOOR BOXES THAT USE 8" ROUND COVERS (S1R8CVRxx), SOLD SEPARATELY.

CATALOG NO.	HEIGHT	FINISHED FLOOR RANGE
CFB8RCVRR1	.64 [16.3]	0 - .25 [0.0 - 6.3]
CFB8RCVRR2	.89 [22.6]	.25 - .50 [6.3 - 12.7]
CFB8RCVRR3	1.14 [29.0]	.50 - .75 [12.7 - 19.0]

LIST OF PARTS

DESCRIPTION	MATERIAL	FINISH
COLLAR	16 GA. STEEL	ZINC
STANDOFFS	STEEL	ZINC

DIMENSION SHEET FOR CAT. NO. SEE TABLE

REPAIRABLE  NON-REPAIRABLE

1	INITIAL RELEASE PER DCN19233	SBW	11/15/13
SYM	DESCRIPTION	APP	DATE

THE DESIGN AND DIMENSIONS OF THE PRODUCT SHOWN ON THIS DRAWING ARE SUBJECT TO CHANGE WITHOUT NOTICE

TITLE  
COLLAR ASSEMBLY FOR 8" ROUND COVERS

TOLERANCES UNLESS OTHERWISE SPECIFIED .XX = ± .01 .XXX = ± .005 ANGLES = ± 2°		WIRING DEVICE-KELLEMS HUBBELL INCORPORATED SHELTON, CT.	
		DR. BY SBW	APP. BY
		TR. BY	SCALE 1/2
		CHK'D BY SM	DATE 9/19/2013

B

M-12490

1