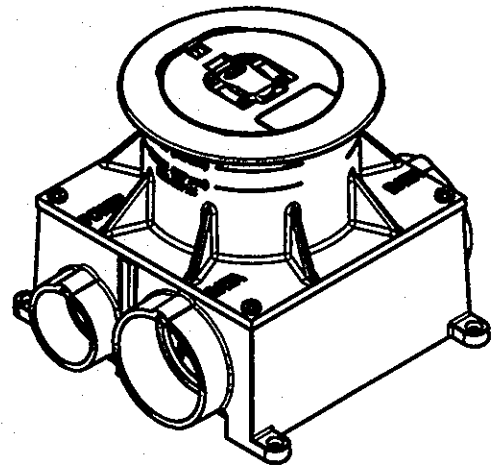
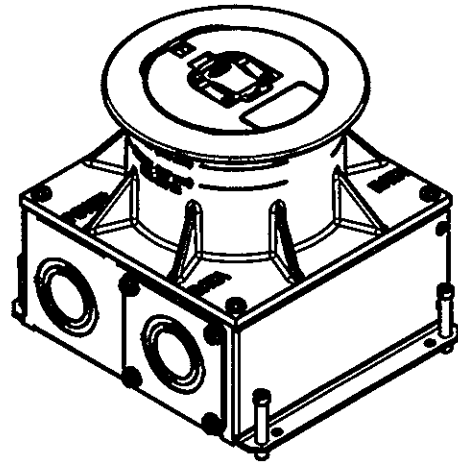


M-12865

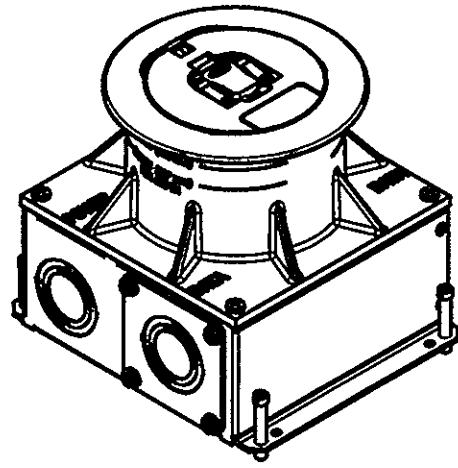
1



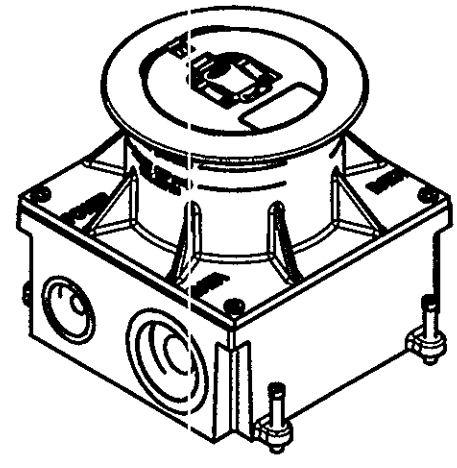
CFBS1R4PFB
NON-METALLIC FLOOR BOX



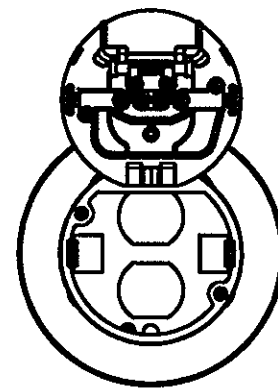
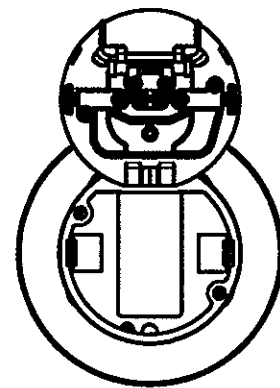
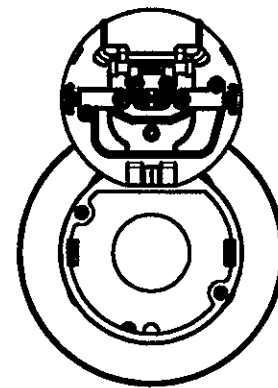
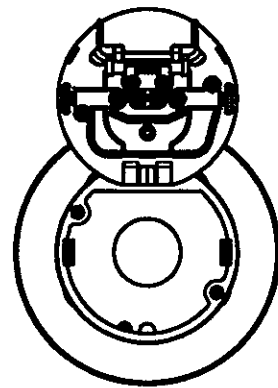
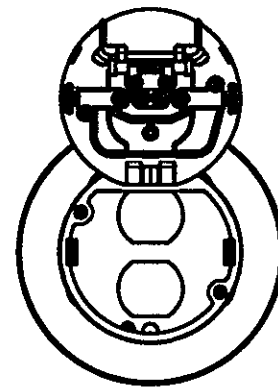
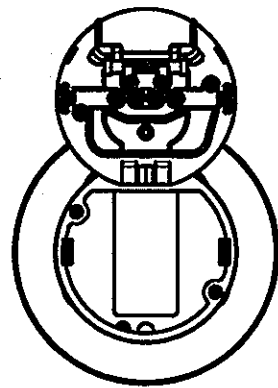
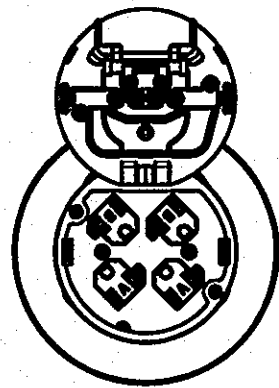
CFBS1R4SFB
STAMPED STEEL FLOOR BOX



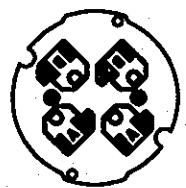
CFBS1R4SFBCR
STAMPED STEEL FLOOR BOX
PAINTED



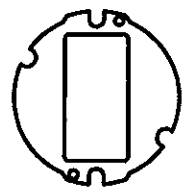
CFBS1R4CFB
CAST IRON FLOOR BOX



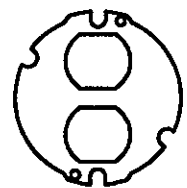
SHOWN BIRD'S EYE VIEW WITH COVER OPEN



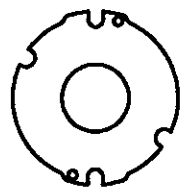
S1R4SPQUAD
S1R4 SUB-PLATE
20A QUAD
RECEPTACLE
(SINGLE SERVICE)



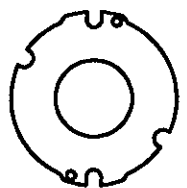
S1R4SPSTYLE
S1R4 SUB-PLATE
STYLELINE
(SINGLE SERVICE)



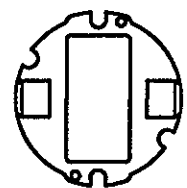
S1R4SPDUPLEX
S1R4 SUB-PLATE
DUPLEX
(SINGLE SERVICE)



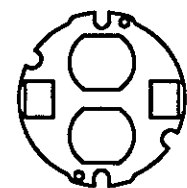
S1R4SPSIMPLEX
S1R4 SUB-PLATE
Ø1.40" SIMPLEX
(SINGLE SERVICE)



S1R4SPTWIST
S1R4 SUB-PLATE
Ø1.56" TWIST LOCK
(SINGLE SERVICE)



S1R4SP2X2STYLE
S1R4 SUB-PLATE
STYLELINE WITH
2 KEYSTONE
(MULTI-SERVICE)



S1R4SP2X2DUPLEX
S1R4 SUB-PLATE
DUPLEX WITH
2 KEYSTONE
(MULTI-SERVICE)

CFBS1R4CUP REQUIRED FOR ALL APPLICATIONS, SOLD SEPARATELY.



1	INITIAL RELEASE PER DCN 21188	SBW	6/16/2015
SYM	DESCRIPTION	APP	DATE

THE DESIGN AND DIMENSIONS OF THE PRODUCT SHOWN ON THIS DRAWING ARE SUBJECT TO CHANGE WITHOUT NOTICE

TITLE
4 INCH RECESSED FLOOR BOX FAMILY

TOLERANCES UNLESS OTHERWISE SPECIFIED
.XX = ± .01
.XXX = ± .005
ANGLES = ± 2°

WIRING DEVICE-KELLEMS
HUBBELL INCORPORATED
SHELTON, CT.

DR. BY	SBW	APP. BY	
TR. BY		SCALE	N.T.S.
CHK'D BY		DATE	5/1/2015