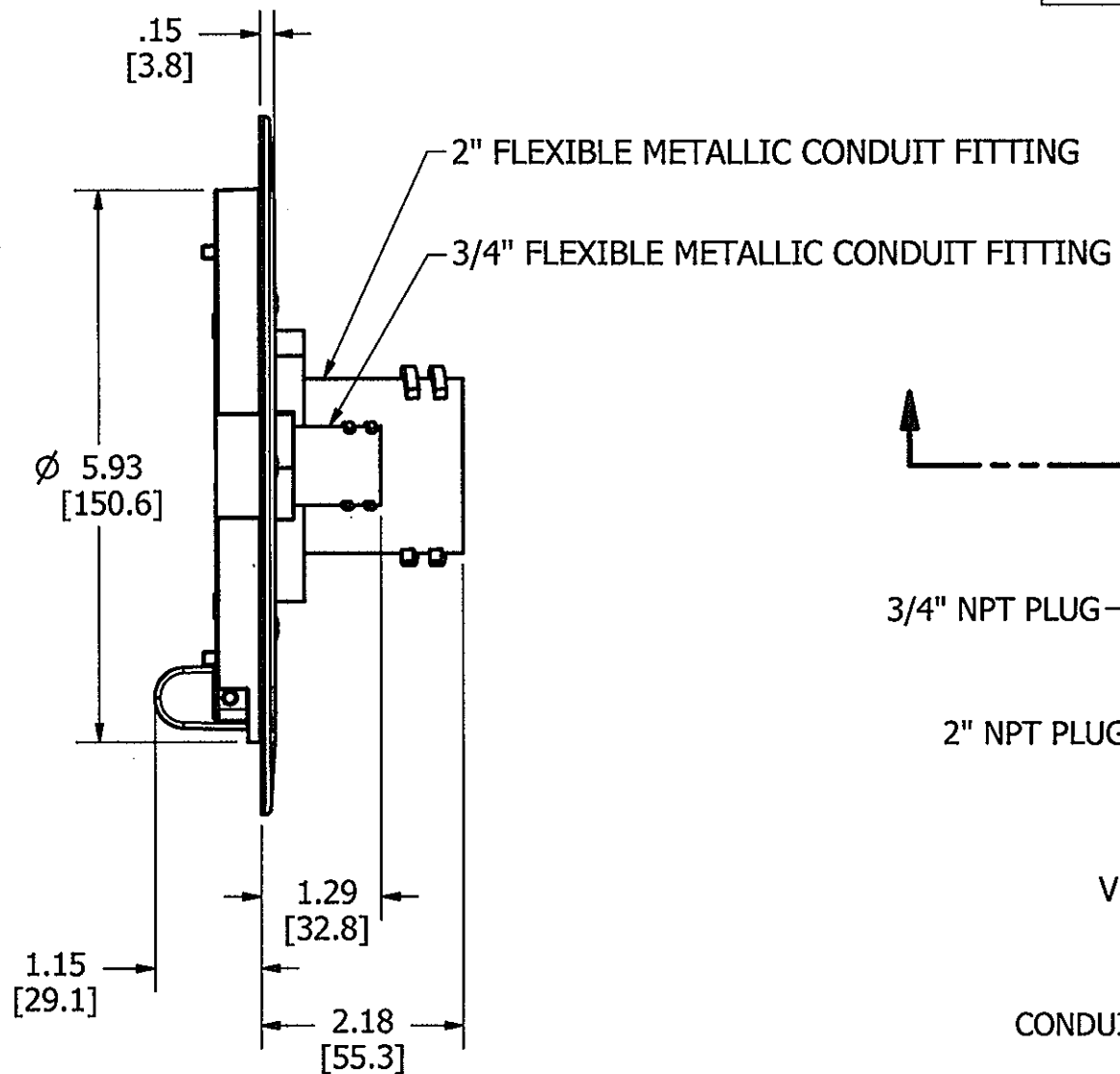
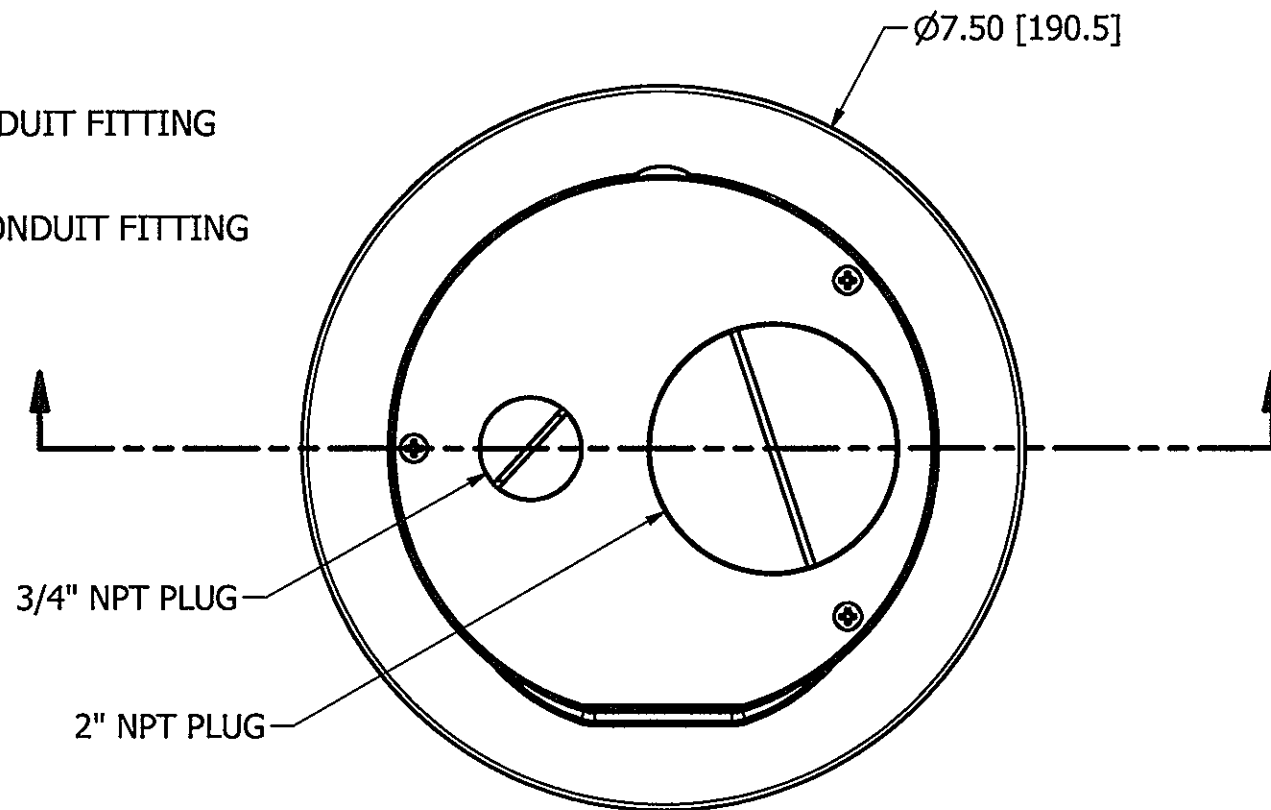


M-12365

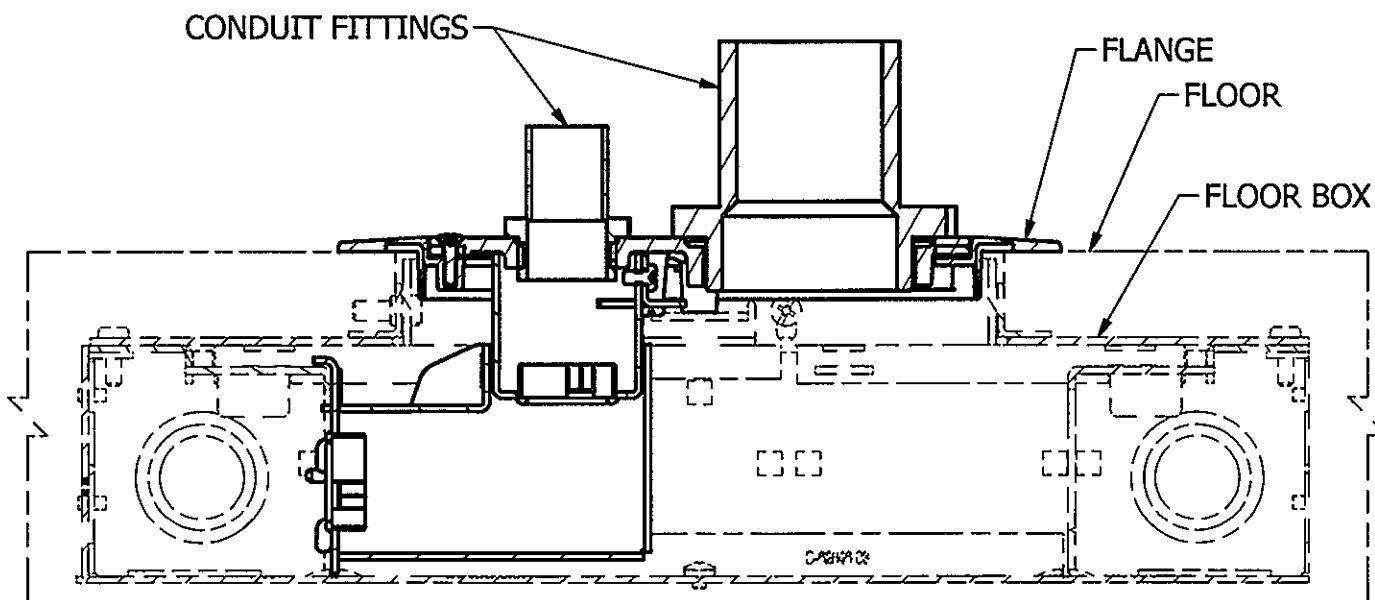
2



SIDE VIEW OF COVER WITH CONDUIT FITTINGS



VIEW ABOVE FINISHED FLOOR WITH PLUGS INSTALLED



SECTION THROUGH FLOOR BOX WITH DIVIDER KIT AND FLEXIBLE METALLIC CONDUIT FITTINGS INSTALLED

CATALOG NO.	COVER FINISH
CFBS1R6FFCVRALU	BRUSHED ALUMINUM
CFBS1R6FFCVRBLK	BLACK POWDER COAT
CFBS1R6FFCVRBRS	BRASS PLATED
CFBS1R6FFCVRBRZ	BRONZE PLATED FINISH
CFBS1R6FFCVRNKL	SATIN NICKEL PLATED

NOTES:

1. ALL DIMENSIONS ARE IN INCHES AND [MILLIMETERS].
2. PRODUCT IS cULus LISTED. COMPLIES WITH UL 514A.
3. USE WITH RECESSED 2-GANG ROUND COVER CONCRETE FLOOR BOXES (CFB2GxxR AND CFB2GxxRCR), SOLD SEPARATELY.
4. MOUNTING HARDWARE INCLUDED.

CODE 74545

LIST OF PARTS

DESCRIPTION	MATERIAL	FINISH
FLANGE RING	ALUMINUM	SEE TABLE
DOOR	ALUMINUM	SEE TABLE
3/4" NPT PLUG	CAST ZINC	SEE TABLE
2" NPT PLUG	ALUMINUM	SEE TABLE
DIVIDER PLATE	STEEL	ZINC
DIVIDER ELBOW	STEEL	ZINC
DIVIDER EXTENSION	STEEL	ZINC
GASKETS	FOAM RUBBER	BLACK
BUSHINGS	THERMOPLASTIC	BLACK
HARDWARE	STEEL	SEE TABLE
3/4" CONDUIT FITTING	CAST ZINC	GRAY
2" CONDUIT FITTING	CAST ZINC	GRAY

2	REVISED PER DCN20287	SBW	2/11/2014
1	INITIAL RELEASE PER DCN19233	SBW	11/15/13
SYM	DESCRIPTION	APP	DATE

THE DESIGN AND DIMENSIONS OF THE PRODUCT SHOWN ON THIS DRAWING ARE SUBJECT TO CHANGE WITHOUT NOTICE

TITLE
FURNITURE FEED COVER, SYSTEM ONE 6 INCH FOR 2 GANG RECESSED ROUND COVER FLOOR BOXES

TOLERANCES UNLESS OTHERWISE SPECIFIED		WIRING DEVICE-KELLEMS HUBBELL INCORPORATED SHELTON, CT.	
.XX	= ± .01	DR. BY	SBW
.XXX	= ± .005	TR. BY	SCALE 1/2
ANGLES	= ± 2°	CHK'D BY	SM
		APP. BY	DATE 9/23/2013

DIMENSION SHEET FOR CAT. NO. SEE TABLE

REPAIRABLE NON-REPAIRABLE

B

M-12365

2