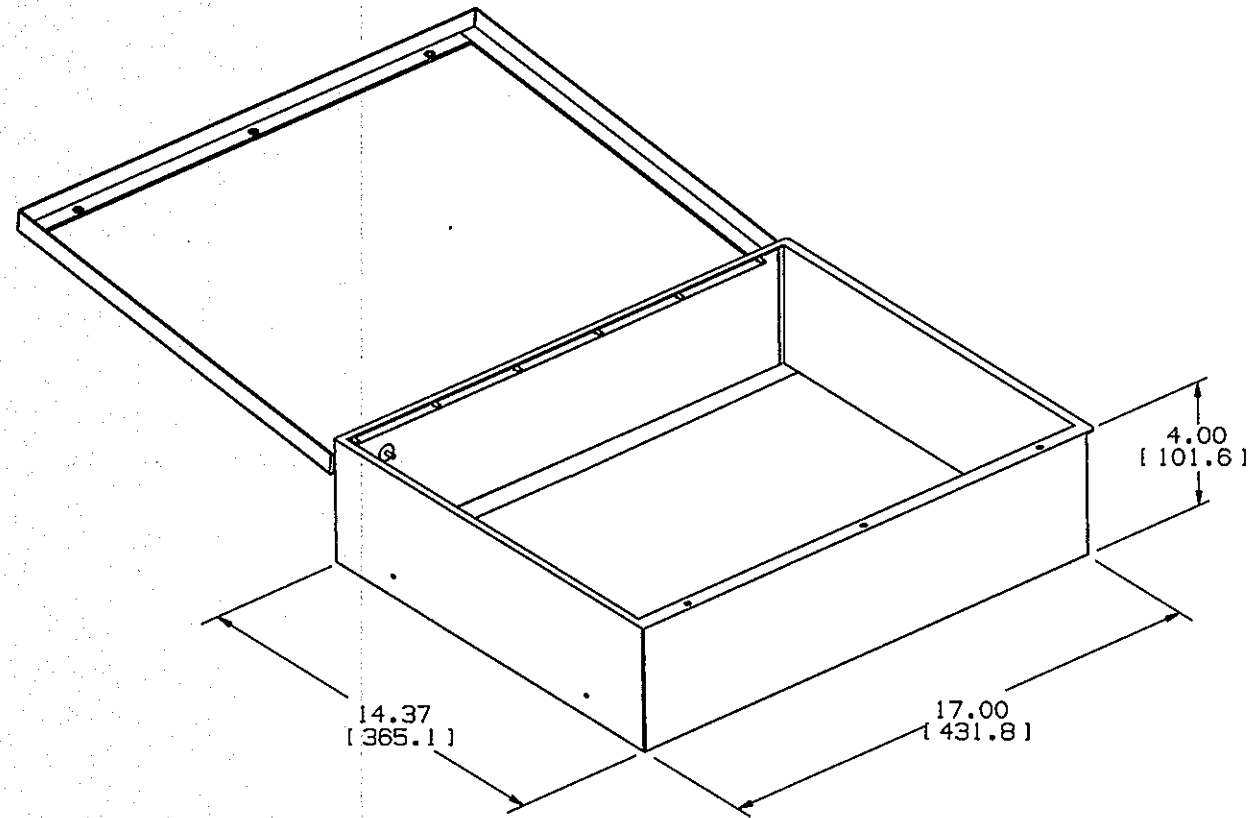


M-13275 | 1



CAT. NO.	CONFIGURATION
CP042RRR3	4-SPACE, M-TAP, STAND-ALONE
CP082RRR1	8-SPACE, M-TAP, MASTER
CP082RRR2	8-SPACE, M-TAP, SECONDARY
CP162RRR1	16-SPACE, 120/277V, MASTER
CP162RRR2	16-SPACE, 120/277V, SECONDARY
CP163RRR1	16-SPACE, 480V, MASTER
CP163RRR2	16-SPACE, 480V, SECONDARY

CODE 74545

DIMENSIONS ARE IN INCHES [MM]

LIST OF PARTS		
DESCRIPTION	MATERIAL	FINISH
ENCLOSURE	STEEL	GRAY

--	--	--	--

1	INITIAL RELEASE PER DCN 21797. MYA	SML	3/4/16
SYM	REVISIONS	APP	DATE

THE DESIGN AND DIMENSIONS OF THE PRODUCT SHOWN ON THIS DRAWING ARE SUBJECT TO CHANGE WITHOUT NOTICE

TITLE CK LIGHTING CONTROL MODULAR PANEL NEMA 1 ENCLOSURE

TOLERANCES UNLESS OTHERWISE SPECIFIED .XX ±.01 .XXX ±.005 ANGLES ±2°	WIRING DEVICE-KELLEMS HUBBELL INCORPORATED SHELTON, CT	
	DR. BY MYA	APP. BY SML
	TR. BY	SCALE 1:4
	CHK. BY	DATE 3/4/16

DIMENSION SHEET FOR CAT. NO. M-13275
 REPAIRABLE NON-REPAIRABLE
 B