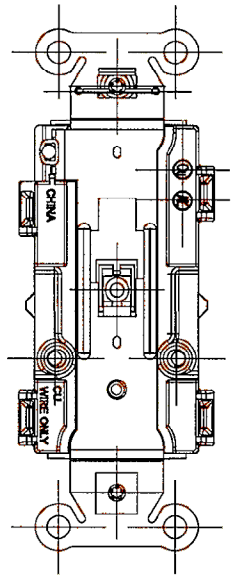
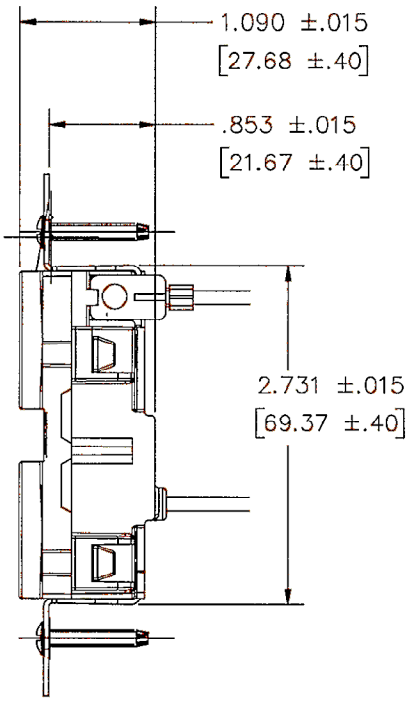
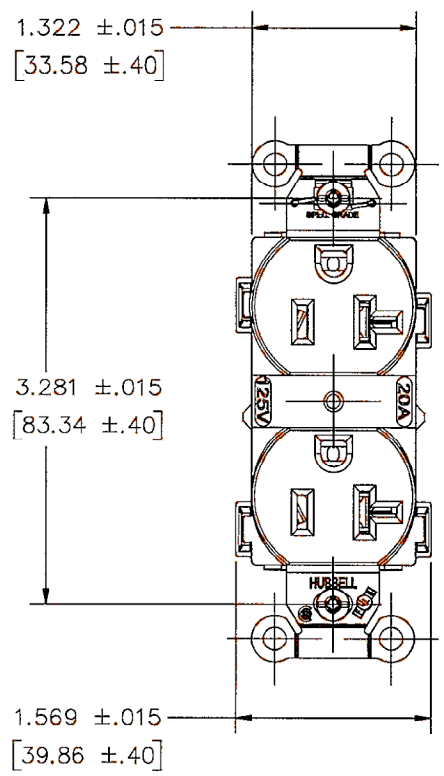


M-10953 3



NOTES:
 1) DIMENSIONS ARE IN INCHES [MM].
 2) ALL DEVICES UL LISTED AND CSA CERTIFIED.
 3) RECEPTACLE WIRED WITH #12 AWG WIRE.

CATALOG NUMBERS											
HUBBELL	BROWN	IVORY	GRAY	WHITE	BLACK	ALMOND	BLUE	LIGHT ALMOND	RED	ORANGE	OFFICE WHITE
6.5" SOLID WIRE	CR20P1	CR20IP1	CR20GRYP1	CR20WHIP1	CR20BLKP1	CR20ALP1	-----	CR20LAP1	-----	-----	-----
6.5" STRANDED WIRE	CR20P2	CR20IP2	CR20GRYP2	CR20WHIP2	CR20BLKP2	CR20ALP2	-----	CR20LAP2	-----	-----	-----

LIST OF PARTS		
DESCRIPTION	MATERIAL	FINISH
TOP	NYLON 6/6	SPI A-3
BASE	NYLON 6/6	SPI A-3
LINE CONTACTS	BRASS	
GROUND CONTACTS	BRASS	
#12AWG WIRE(NEU)	CU	WHITE
#12AWG WIRE(HOT)	04 GA#12V	BLACK
BRIDGE	STL	
#12AWG WIRE (GRD)	CU	GREEN
STAPLE	S.S.	
WASHER	PVC FILM	BLACK
MOUNTING SCREW	STEEL	ZINC PLATE

SYM	REVISIONS	APP	DATE
3	IN LIST OF PARTS MOUNTING SCREW FINISH ZINC PLATE WAS SS PER DCN 18657 MYA	DJP	3/1/12
2	6.5" SOLID WIRE WAS 6.0" SOLID WIRE 6.5" STRANDED WIRE WAS 6.0" STRANDED WIRE PER DCN #16065 WRV		09/09
1	RELEASED PER DCN #14562 WRV		03/08

THE DESIGN AND DIMENSIONS OF THE PRODUCT SHOWN ON THIS DRAWING ARE SUBJECT TO CHANGE WITHOUT NOTICE

TITLE
 HUBBELL
 20A 125V, 2P 3W
 SMOOTH FACE DUPLEX RECEPT.
 LEAD WIRE

TOLERANCES UNLESS OTHERWISE SPECIFIED	WIRING DEVICE-KELLEMS HUBBELL INCORPORATED SHELTON, CT	
.XX = ±.01	DR. BY WRV	APP. BY TLS
.XXX = ±.005	TR. BY	SCALE 1:1
ANGLES = ±2°	CHK. BY	DATE 3/08

CODE 74545

DIMENSION SHEET FOR CAT. NO. REPAIRABLE NON-REPAIRABLE B M-10953 3