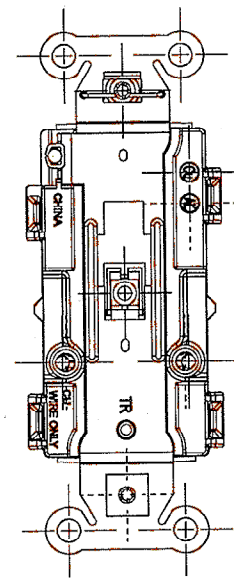
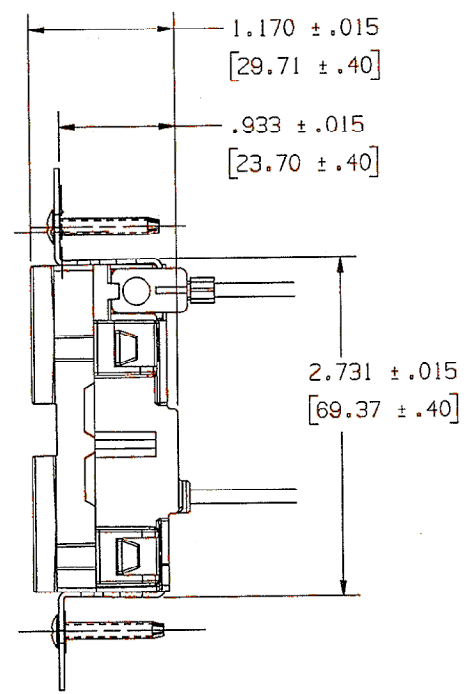
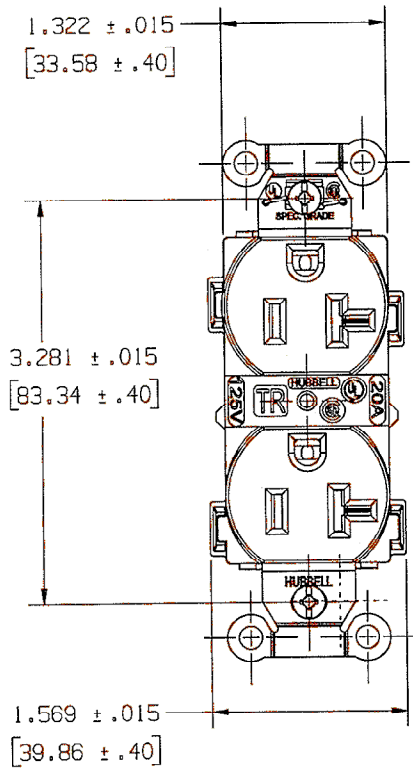


M-10957 | 3



NOTES:
 1) DIMENSIONS ARE IN INCHES (MM).
 2) ALL DEVICES UL LISTED AND CSA CERTIFIED.
 3) RECEPTACLE WIRED WITH #12 AWG WIRE.

CATALOG NUMBERS											
HUBBELL	BROWN	IVORY	GRAY	WHITE	BLACK	ALMOND	BLUE	LIGHT ALMOND	RED	ORANGE	OFFICE WHITE
6.5" SOLID WIRE	CR20TRP1	CR201TRP1	CR20GRYTRP1	CR20WH1TRP1	CR20BLKTRP1	CR20ALTRP1	-----	CR20LATRP1	-----	-----	-----
6.5" STRANDED WIRE	CR20TRP2	CR201TRP2	CR20GRYTRP2	CR20WH1TRP2	CR20BLKTRP2	CR20ALTRP2	-----	CR20LATRP2	-----	-----	-----

LIST OF PARTS		
DESCRIPTION	MATERIAL	FINISH
TOP	NYLON 6/6	SPI A-3
BASE	NYLON 6/6	SPI A-3
LINE CONTACTS	BRASS	
GROUND CONTACTS	BRASS	
#12AWG WIRE (NEU)	CU	WHITE
#12AWG WIRE (HOT)	CU	BLACK
BRIDGE	.04 GALV STL	
#12AWG WIRE (GRD)	CU	GREEN
STAPLE	S.S.	
WASHER	PVC FILM	BLACK
MOUNTING SCREW	STEEL	Zn PLATE

SYM	REVISIONS	APP	DATE
3	MOUNTING SCREW FINISH Zn PLATE WAS SS. PER DCN 18414 SPN <i>DJP</i>	DJP	11/1/11
2	6.5" SOLID WIRE WAS 6.0" SOLID WIRE 6.5" STRANDED WIRE WAS 6.0" STRANDED WIRE PER DCN #16065 WRV	WRV	09/09
1	RELEASED PER DCN #14562 WRV	WRV	03/08

THE DESIGN AND DIMENSIONS OF THE PRODUCT SHOWN ON THIS DRAWING ARE SUBJECT TO CHANGE WITHOUT NOTICE

TITLE HUBBELL
 20A 125V, 2P 3W
 TAMPER RESISTANT
 DUPLEX RECEPT.
 LEAD WIRE

TOLERANCES UNLESS OTHERWISE SPECIFIED	WIRING DEVICE-KELLEMS HUBBELL INCORPORATED BRIDGEPORT, CT	
	DR. BY WRV	APP. BY TLS
	TR. BY	SCALE 1:1
	CHK'D BY	DATE 3/08