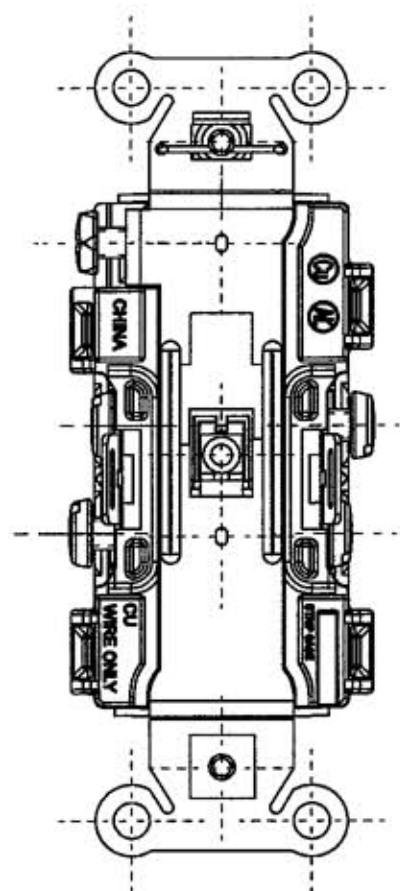
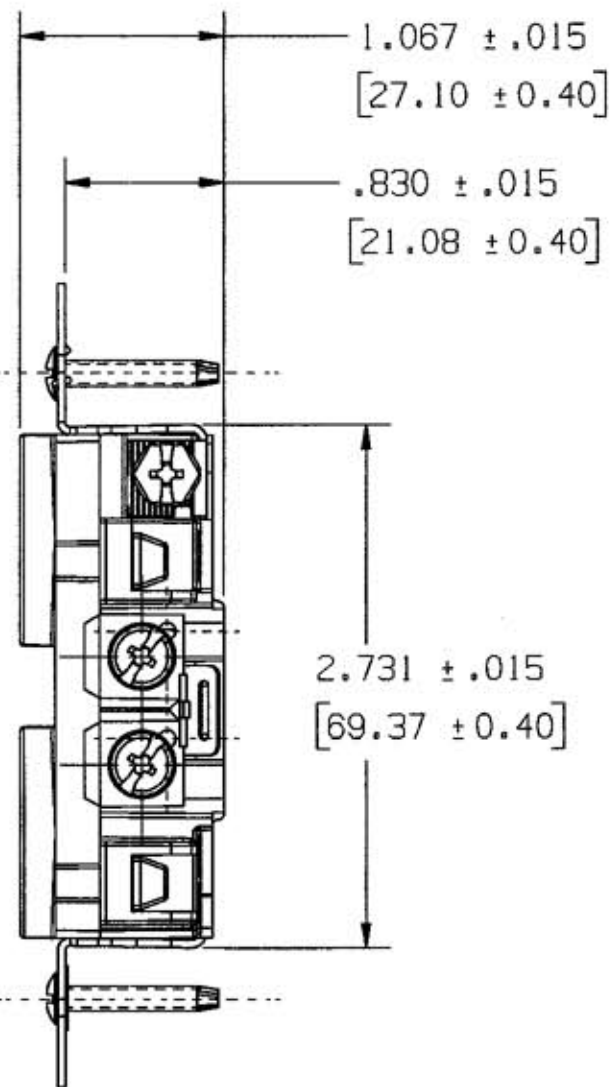
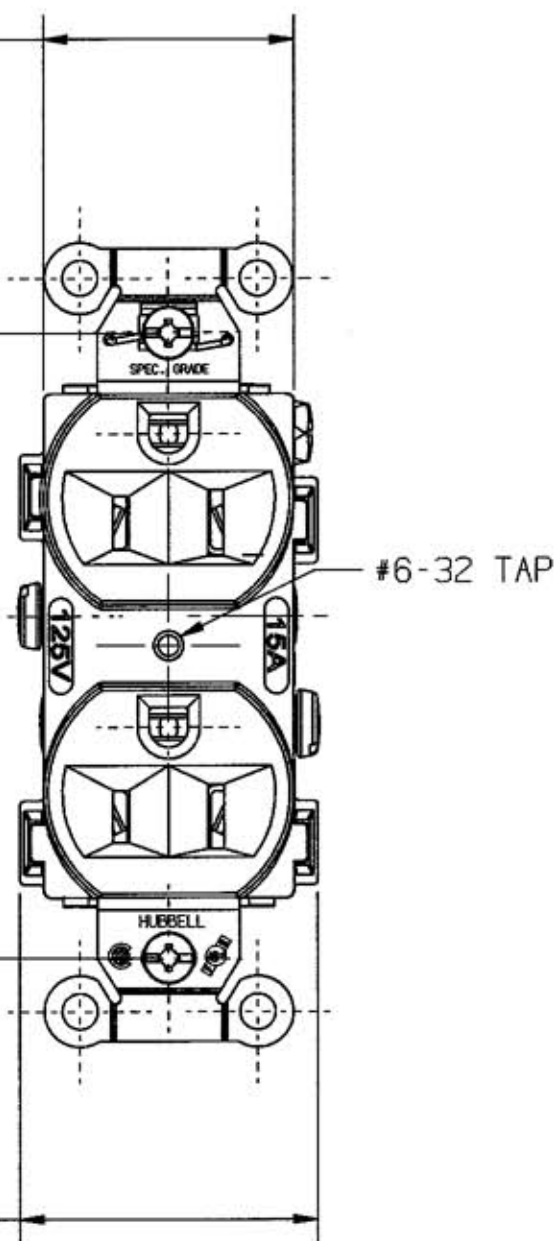


M-10317 2

1.322 ± .015
[33.58 ± 0.40]

3.281 ± .015
[83.34 ± 0.40]

1.569 ± .015
[39.86 ± 0.40]



NOTES:
 1) DIMENSIONS ARE IN INCHES [MM].
 2) ALL DEVICES UL LISTED, CSA AND FED. SPEC. CERTIFIED.
 3) TERMINALS ACCOMMODATE #14-#10 AWG COPPER WIRE ONLY.

CATALOG NUMBERS

	BROWN	IVORY	GRAY	WHITE	BLACK	ALMOND	BLUE	LIGHT ALMOND	RED	ORANGE	OFFICE WHITE
HUBBELL	CRF15	CRF15I	CRF15GRY	CRF15WHI	-----	CRF15AL	-----	CRF15LA	-----	-----	CRF15OW

LIST OF PARTS

DESCRIPTION	MATERIAL	FINISH
TOP	NYLON 6/6	SPI A-3
BASE	NYLON 6/6	SPI A-3
LINE CONTACTS	BRASS	
GROUND CONTACTS	BRASS	
CONTACT SCREW (NEU)	STEEL	NI PLT
CONTACT SCREW (HOT)	STEEL	
BRIDGE	.04 GALV STL	
GROUND SCREW	STEEL	GREEN
STAPLE	S.S.	
WASHER	PVC FILM	BLACK
MOUNTING SCREW	STEEL	ZINC PLT

2	ADDED CAT. NOS. CRF15AL & CRF15LA PER DCN# 13864	WRV <i>lwr</i>	08/02/07
1	RELEASED PER DCN# 13786	WRV	03/27/07

SYM	REVISIONS	APP	DATE
-----	-----------	-----	------

THE DESIGN AND DIMENSIONS OF THE PRODUCT SHOWN ON THIS DRAWING ARE SUBJECT TO CHANGE WITHOUT NOTICE

TITLE HUBBELL
 15A 125V, 2P 3W,
 FINDER GROOVE DUPLEX RECEPT.
 SIDE WIRE

TOLERANCES UNLESS OTHERWISE SPECIFIED FRACTIONS ± 1/64 DECIMALS ± .005 ANGLES ± 2'	WIRING DEVICE-KELLEMS HUBBELL INCORPORATED BRIDGEPORT, CT	
	DR. BY WRV	APP. BY
	TR. BY	SCALE 1:1
	CHK'D BY	DATE 3/07

DIMENSION SHEET FOR CAT. NO. REPAIRABLE NON-REPAIRABLE B M-10317 2