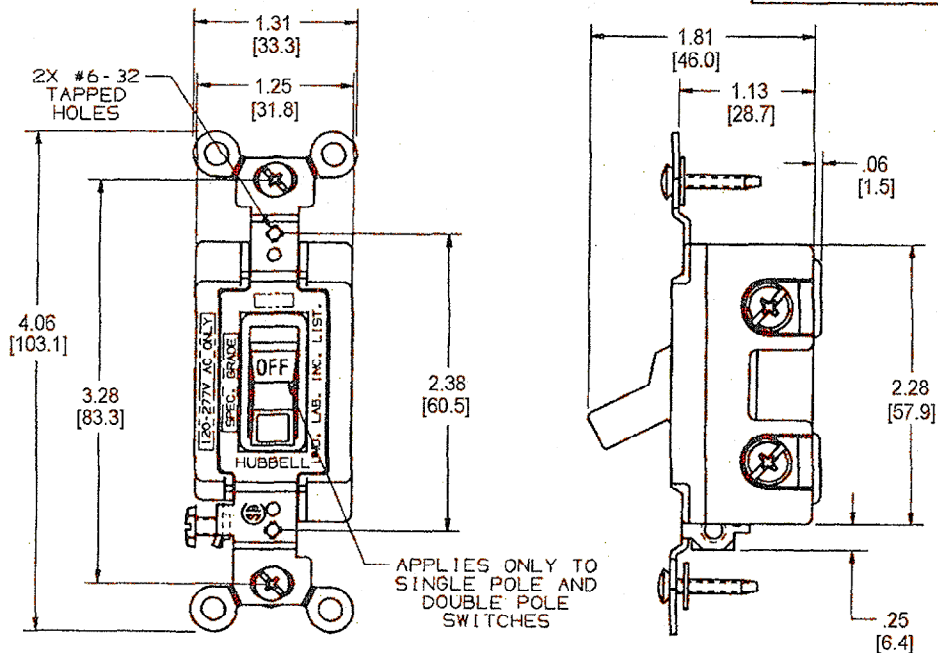
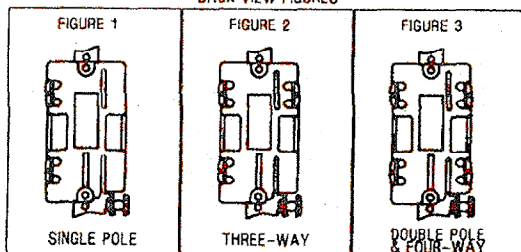


M-11616 2



BACK VIEW FIGURES



NOTES:

- TERMINALS ACCOMODATE #14 AWG TO #10 AWG SOLID & STRANDED COPPER WIRE ONLY
- INCHES [mm].
- .XX TOLERANCE TO BE ±.03

CODE 74545

				LIST OF PARTS		
CATALOG NO.	TOGGLE COLOR	RATING/TYPE	BACK VIEW FIGURE	DESCRIPTION	MATERIAL	FINISH
CS1201BU	BROWN	15A 120-277 VAC S.P.	1	HOUSING	UREA	
CS1201LAU	LT ALMOND	15A 120-277 VAC S.P.	1	COVER	NYLON	
CS1201GYU	GRAY	15A 120-277 VAC S.P.	1	TOGGLE	NYLON	
CS1201IU	IVORY	15A 120-277 VAC S.P.	1	STATIONARY TERMINAL	.031 BRASS	
CS1201WU	WHITE	15A 120-277 VAC S.P.	1	SPRING ARM TERMINAL	.031 BRASS	
CS1201RU	RED	15A 120-277 VAC S.P.	1	WIRE CLAMP	.080 STEEL	TIN PLATE
CS1201BKU	BLACK	15A 120-277 VAC S.P.	1	BRIDGE	.050 STEEL	ZINC PLATE
CS1221BU	BROWN	20A 120-277 VAC S.P.	1	CONTACTS	SILVER/CADMIUM OXIDE	
CS1221LAU	LT ALMOND	20A 120-277 VAC S.P.	1	BINDING SCREWS	BRASS	
CS1221GYU	GRAY	20A 120-277 VAC S.P.	1	MOUNTING SCREWS	STEEL	ZINC PLATE
CS1221IU	IVORY	20A 120-277 VAC S.P.	1			
CS1221WU	WHITE	20A 120-277 VAC S.P.	1			
CS1221RU	RED	20A 120-277 VAC S.P.	1			
CS1221BKU	BLACK	20A 120-277 VAC S.P.	1			
CS1222BU	BROWN	20A 120-277 VAC D.P.	3			
CS1222IU	IVORY	20A 120-277 VAC D.P.	3			
CS1222GYU	GRAY	20A 120-277 VAC D.P.	3			
CS1222WU	WHITE	20A 120-277 VAC D.P.	3			
CS1222RU	RED	20A 120-277 VAC D.P.	3			
CS1222BKU	BLACK	20A 120-277 VAC D.P.	3			
CS1222LAU	LT ALMOND	20A 120-277 VAC D.P.	3			
CS1203BU	BROWN	15A 120-277 VAC 3W	2			
CS1203LAU	LT ALMOND	15A 120-277 VAC 3W	2			
CS1203GYU	GRAY	15A 120-277 VAC 3W	2			
CS1203IU	IVORY	15A 120-277 VAC 3W	2			
CS1203WU	WHITE	15A 120-277 VAC 3W	2			
CS1203RU	RED	15A 120-277 VAC 3W	2			
CS1203BKU	BLACK	15A 120-277 VAC 3W	2			
CS1223BU	BROWN	20A 120-277 VAC 3W	2			
CS1223LAU	LT ALMOND	20A 120-277 VAC 3W	2			
CS1223GYU	GRAY	20A 120-277 VAC 3W	2			
CS1223IU	IVORY	20A 120-277 VAC 3W	2			
CS1223WU	WHITE	20A 120-277 VAC 3W	2			
CS1223RU	RED	20A 120-277 VAC 3W	2			
CS1223BKU	BLACK	20A 120-277 VAC 3W	2			
CS1224BU	BROWN	20A 120-277 VAC 4W	3			
CS1224LAU	LT ALMOND	20A 120-277 VAC 4W	3			
CS1224GYU	GRAY	20A 120-277 VAC 4W	3			
CS1224IU	IVORY	20A 120-277 VAC 4W	3			
CS1224WU	WHITE	20A 120-277 VAC 4W	3			
CS1224RU	RED	20A 120-277 VAC 4W	3			
CS1224BKU	BLACK	20A 120-277 VAC 4W	3			

2	CS1201RU WAS CS1201ORU, CS1222LAU WAS CS1222OLAU, AND CS1203RU WAS CS1203OW. RELOCATED CS1201BKU AND CS1203BKU PER DCN 17472. MYA	DJP	2/23/11
1	NEW RELEASE PER DCN 16709 SPN	DJP	6/29/10
SYM REVISIONS		APP	DATE

THE DESIGN AND DIMENSIONS OF THE PRODUCT SHOWN ON THIS DRAWING ARE SUBJECT TO CHANGE WITHOUT NOTICE			
TITLE CONSTRUCTION SERIES A.C. TOGGLE SWITCH, BACK/SIDE WIRED MADE IN USA			
TOLERANCES UNLESS OTHERWISE SPECIFIED		WIRING DEVICE DIVISION HUBBELL, INCORPORATED BRIDGEPORT, CT	
FRACTIONS ± 1/64	DR. BY SPN	APP. BY DJP	
DECIMALS .005	TR. BY	SCALE	
ANGLES ± 2	CHK'D BY DJP	DATE 8/29/10	

DIMENSION SHEET FOR CAT. NO. SEE TABLE REPAIRABLE  NON-REPAIRABLE  M-11616 2