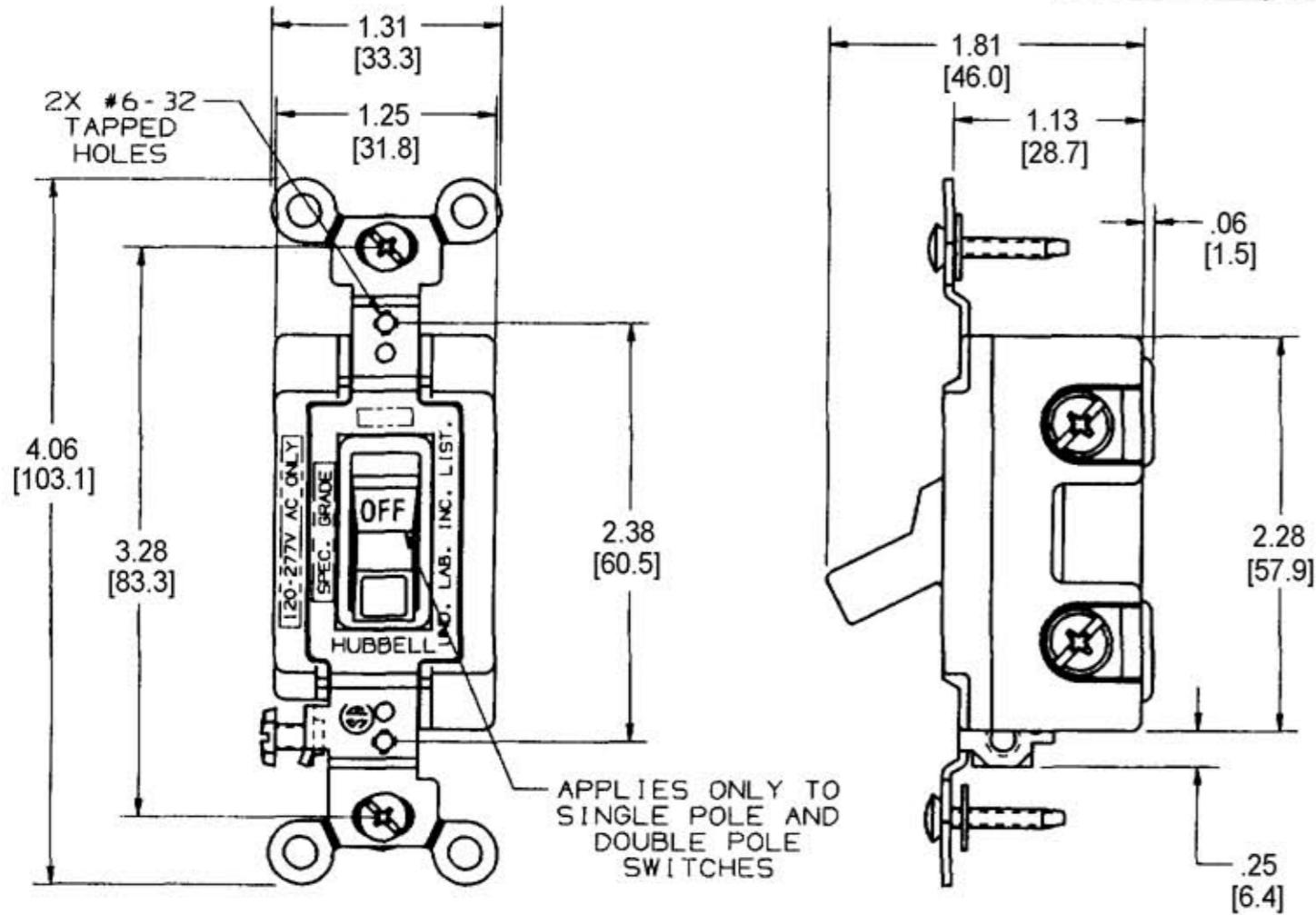
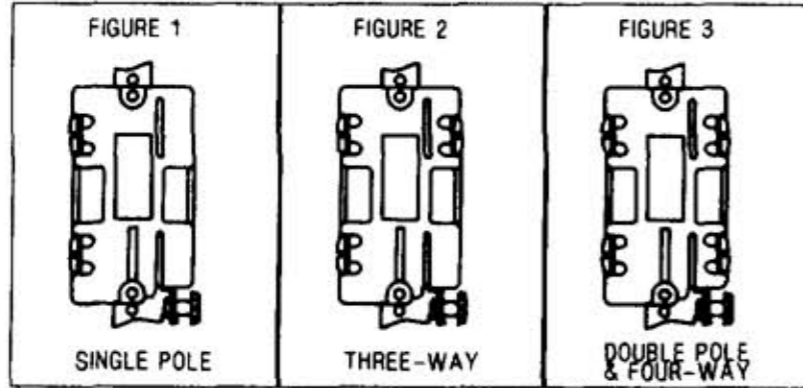


M-10344

1



BACK VIEW FIGURES



NOTES:

1. TERMINALS ACCOMODATE #14 AWG TO #10 AWG SOLID & STRANDED COPPER WIRE ONLY
2. INCHES [mm].
3. .XX TOLERANCE TO BE ±.03

CATALOG NO.	TOGGLE COLOR	RATING/TYPE	BACK VIEW FIGURE
CS1201	BROWN	15A 120-277 VAC S.P.	1
CS1201AL	ALMOND	15A 120-277 VAC S.P.	1
CS1201GY	GRAY	15A 120-277 VAC S.P.	1
CS1201I	IVORY	15A 120-277 VAC S.P.	1
CS1201W	WHITE	15A 120-277 VAC S.P.	1
CS1201OW	OFFICE WHITE	15A 120-277 VAC S.P.	1
CS1221	BROWN	20A 120-277 VAC S.P.	1
CS1221AL	ALMOND	20A 120-277 VAC S.P.	1
CS1221GY	GRAY	20A 120-277 VAC S.P.	1
CS1221I	IVORY	20A 120-277 VAC S.P.	1
CS1221W	WHITE	20A 120-277 VAC S.P.	1
CS1221R	RED	20A 120-277 VAC S.P.	1
CS1221BK	BLACK	20A 120-277 VAC S.P.	1
CS1221OW	OFFICE WHITE	20A 120-277 VAC S.P.	1
CS1222	BROWN	20A 120-277 VAC D.P.	3
CS1222I	IVORY	20A 120-277 VAC D.P.	3
CS1222GY	GRAY	20A 120-277 VAC D.P.	3
CS1222W	WHITE	20A 120-277 VAC D.P.	3
CS1222R	RED	20A 120-277 VAC D.P.	3
CS1222BK	BLACK	20A 120-277 VAC D.P.	3
CS1222OW	OFFICE WHITE	20A 120-277 VAC D.P.	3
CS1203	BROWN	15A 120-277 VAC 3W	2
CS1203AL	ALMOND	15A 120-277 VAC 3W	2
CS1203GY	GRAY	15A 120-277 VAC 3W	2
CS1203I	IVORY	15A 120-277 VAC 3W	2
CS1203W	WHITE	15A 120-277 VAC 3W	2
CS1203OW	OFFICE WHITE	15A 120-277 VAC 3W	2
CS1223	BROWN	20A 120-277 VAC 3W	2
CS1223AL	ALMOND	20A 120-277 VAC 3W	2
CS1223GY	GRAY	20A 120-277 VAC 3W	2
CS1223I	IVORY	20A 120-277 VAC 3W	2
CS1223W	WHITE	20A 120-277 VAC 3W	2
CS1223R	RED	20A 120-277 VAC 3W	2
CS1223BK	BLACK	20A 120-277 VAC 3W	2
CS1223OW	OFFICE WHITE	20A 120-277 VAC 3W	2
CS1224	BROWN	20A 120-277 VAC 4W	3
CS1224AL	ALMOND	20A 120-277 VAC 4W	3
CS1224GY	GRAY	20A 120-277 VAC 4W	3
CS1224I	IVORY	20A 120-277 VAC 4W	3
CS1224W	WHITE	20A 120-277 VAC 4W	3
CS1224R	RED	20A 120-277 VAC 4W	3
CS1224BK	BLACK	20A 120-277 VAC 4W	3
CS1224OW	OFFICE WHITE	20A 120-277 VAC 4W	3

LIST OF PARTS		
DESCRIPTION	MATERIAL	FINISH
HOUSING COVER	UREA	
TOGGLE	NYLON	
STATIONARY TERMINAL	.031 BRASS	
SPRING ARM TERMINAL	.031 BRASS	
WIRE CLAMP	.060 STEEL	TIN PLATE
BRIDGE	.050 STEEL	ZINC PLATE
CONTACTS	SILVER/CADMIUM OXIDE	
BINDING SCREWS	BRASS	
MOUNTING SCREWS	STEEL	ZINC PLATE

SYMBOL	REVISIONS	APP	DATE
1	"X" REMOVED; LAST X-REVISION WAS X-0 PER DCN 13430 RCM	DJP	10/17/06

THE DESIGN AND DIMENSIONS OF THE PRODUCT SHOWN ON THIS DRAWING ARE SUBJECT TO CHANGE WITHOUT NOTICE			
---	--	--	--

TITLE		CONSTRUCTION SERIES A.C. TOGGLE SWITCH, BACK/SIDE WIRED	
-------	--	---	--

TOLERANCES UNLESS OTHERWISE SPECIFIED			
FRACTIONS	± 1/64		
DECIMALS	± .005		
ANGLES	± 2		
WIRING DEVICE DIVISION HUBBELL, INCORPORATED BRIDGEPORT, CT		DR. BY RCM	APP. BY DJP
		TR. BY	SCALE
		CHK'D BY DJP	DATE 10/17/06

DIMENSION SHEET FOR CAT. NO.

SEE TABLE

REPAIRABLE

NON-REPAIRABLE

B

M-10344

1