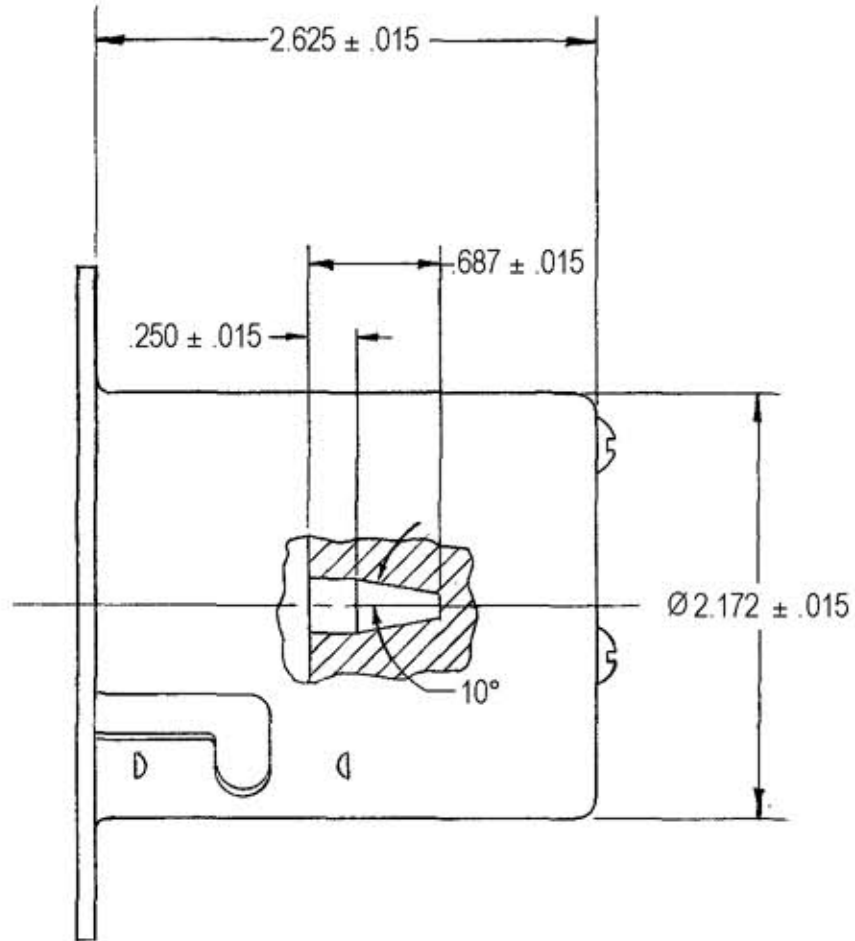
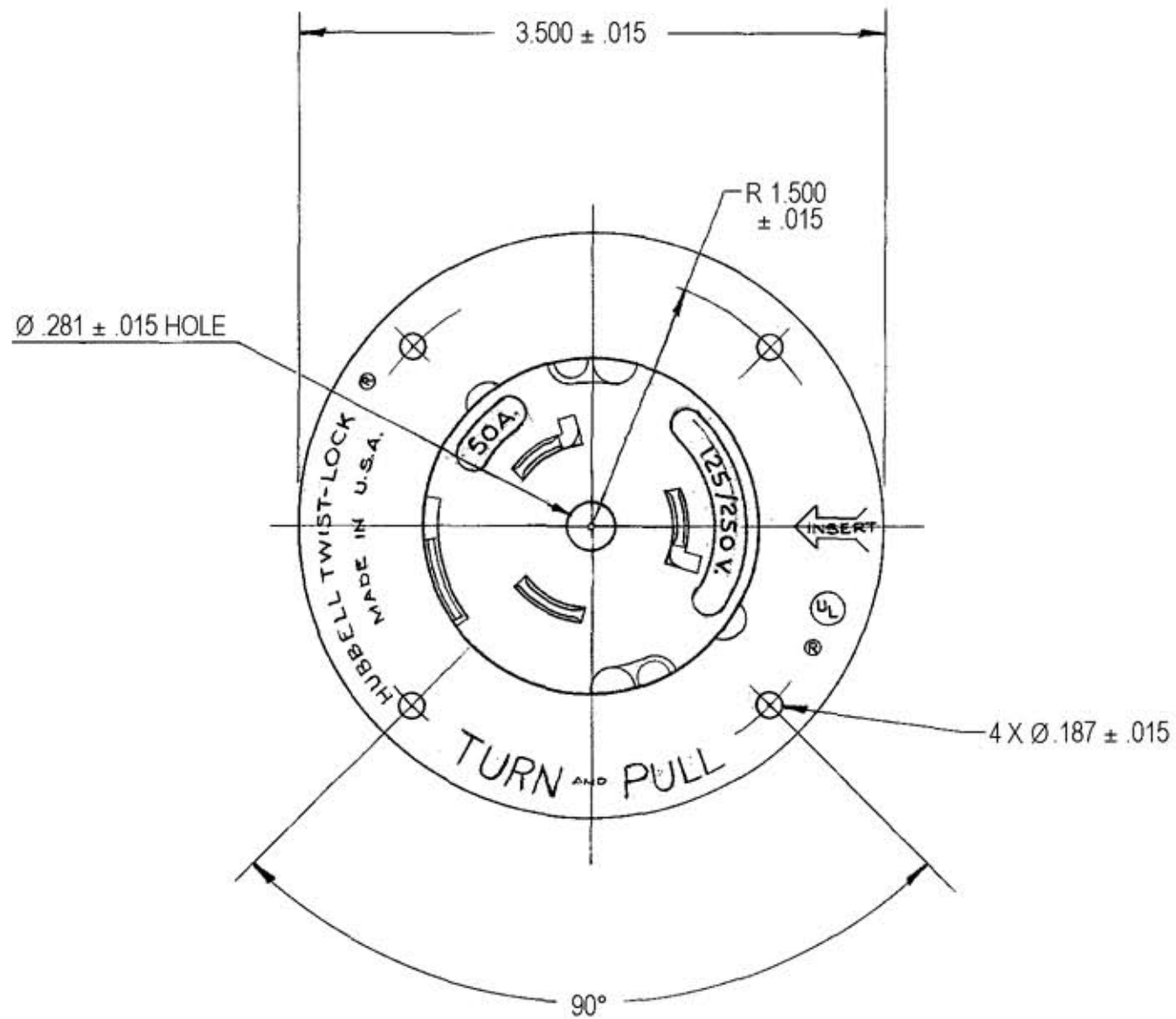


M-5529 1



LIST OF PARTS		
DESCRIPTION	MATERIAL	FINISH
INSULATORS	PHENOLIC	
CONTACT BLADES	100 BRASS	
TERMINALS	050 STEEL	Z-BRASS I-WHITE
GR. TERMINAL	.062 COPPER	GREEN
GR. SPRING	025 BRONZE	
PRESSURE SCREWS	STEEL	CAD. PL. YELLOW CHROM
FLANGED CASING	.062 STEEL	ZINC PL.
RD. HD. SCREWS	STEEL	ZINC PL.

DIMENSION SHEET FOR CAT. NO. CS6375

REPAIRABLE  NON-REPAIRABLE

1	ALL DIMS CONVERTED TO 3 PL DECIMAL & TOL ADDED PER DCN #7772 AMZ DB	6/26/00
SYM	REVISIONS	APP DATE

B M-5529 1

**CAT. NO. CS6375**

**TITLE** 50A. 125/250V. 3 POLE  
4 WIRE NON-INTERCHANGEABLE  
TWIST-LOCK FLANGED INLET  
WITH CENTER HOLE

TOLERANCES UNLESS OTHERWISE SPECIFIED

FRACTIONS ± 1/64  
DECIMALS ± .005  
ANGLES ± 2°

**HARVEY HUBBELL, INC.**  
BRIDGEPORT, CONN.

DR. BY ASM APP. BY  
TR. BY SCALE 1=1  
CHK'D. BY DATE 6-13-72