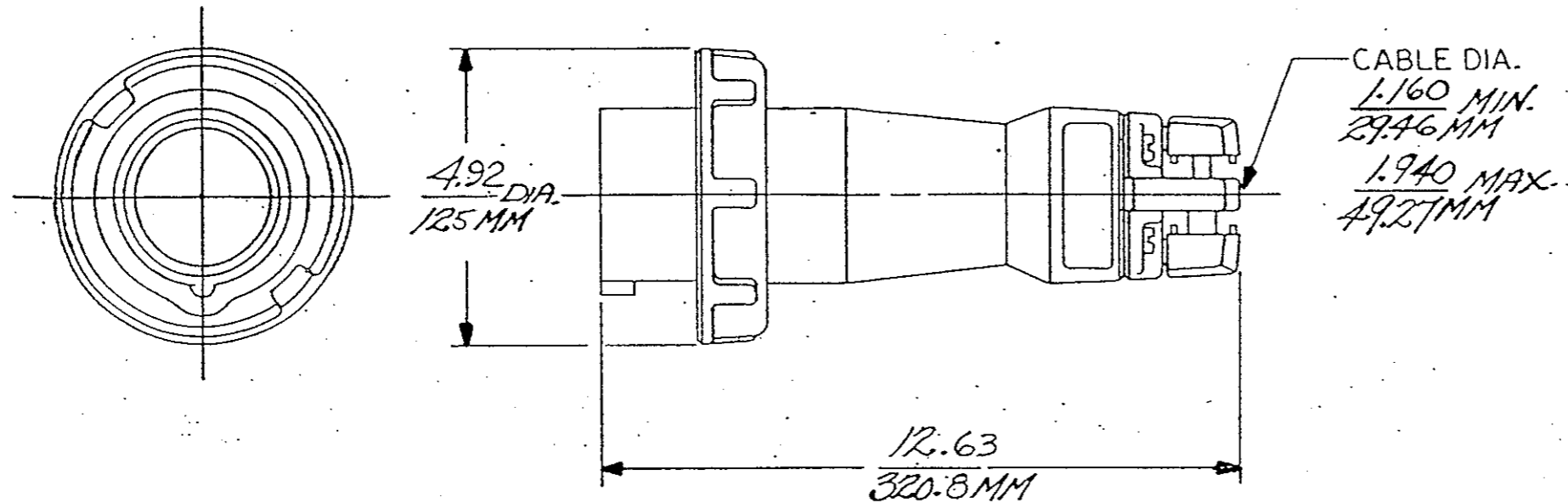


M-7668 1



LIST OF PARTS		
DESCRIPTION	MATERIAL	FINISH
HOUSING	NYLON	
INTERIOR	THERMOSET	
GASKET	RUBBER	
LOCK RING	POLYESTER	
SLEEVES	BRASS	
TERMINAL SCREWS	STAIN. STL.	
GLAND CAP	POLYESTER	
GLANDS	RUBBER	
CLAMPS	POLYESTER	
CLAMP NUTS	BRASS	NICKEL
ASSY. SCREWS	STAIN. STL.	

DIMENSION SHEET FOR CAT. NO. M-7668
 REPAIRABLE NON-REPAIRABLE

CAT. No.	CONFIGURATION	RATING	CAT. No.	CONFIGURATION	RATING
			M4100C12R		100 AMP 125/250 VAC

SYM	REVISIONS	APP	DATE
1	RELEASE PER DCN4455204		8-22-96

THE DESIGN AND DIMENSIONS OF THE PRODUCT SHOWN ON THIS DRAWING ARE SUBJECT TO CHANGE WITHOUT NOTICE.

NOTES:
 1. ALL DECIMAL DIM. TOLS. TO BE ± .03.

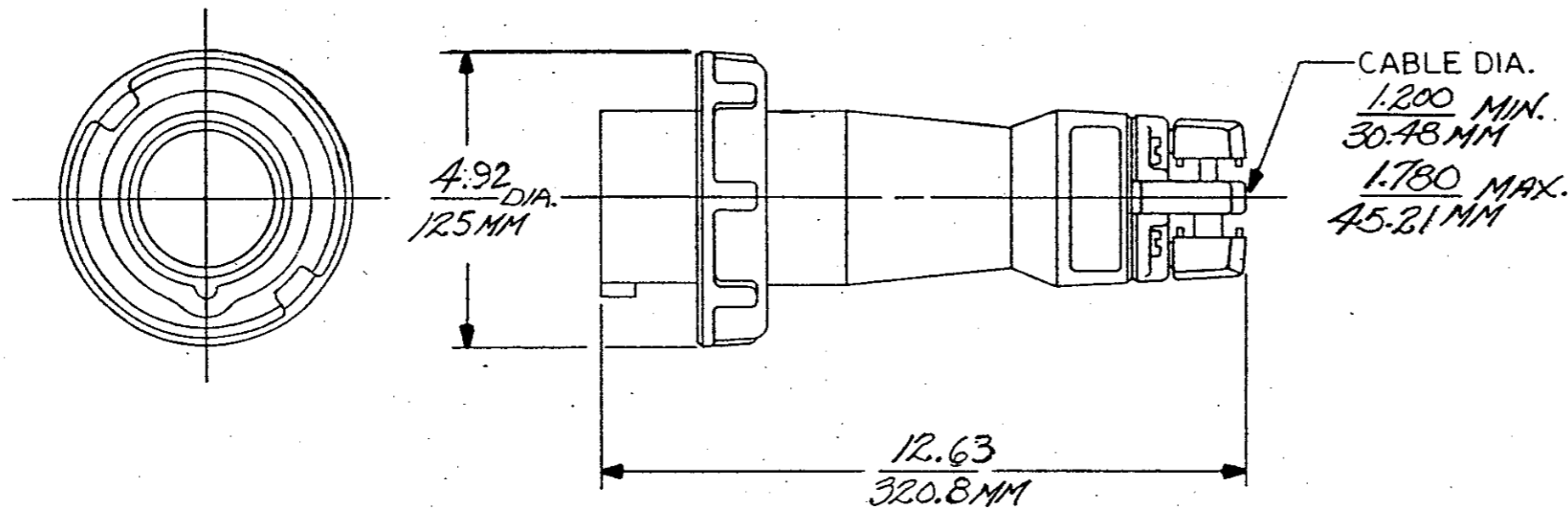
TITLE
 100A 4 WIRE
 PIN & SLEEVE
 CONNECTOR

TOLERANCES UNLESS OTHERWISE SPECIFIED
 FRACTIONS ± 1/64
 DECIMALS ██████
 ANGLES ± 2°

WIRING DEVICE DIVISION
HARVEY HUBBELL, INC.
 BRIDGEPORT, CONN.


DR. BY *RMB* APP. BY _____
 TR. BY _____ SCALE 1:1
 CHK'D. BY _____ DATE 8-22-96

M-7669 1



LIST OF PARTS		
DESCRIPTION	MATERIAL	FINISH
HOUSING	NYLON	
INTERIOR	THERMOSET	
GASKET	RUBBER	
LOCK RING	POLYESTER	
PINS	BRASS	
TERMINAL SCREWS	STAIN. STL.	
GLAND CAP	POLYESTER	
ASSY. SCREWS	STAIN. STL.	
GLANDS	RUBBER	
CLAMPS	POLYESTER	
CLAMP NUTS	BRASS	NICKEL

DIMENSION SHEET FOR CAT. NO. M-7669
 REPAIRABLE NON-REPAIRABLE

CAT. No.	CONFIGURATION	RATING	CAT. No.	CONFIGURATION	RATING
			M4100P12		100 AMP 125/250 VAC

1	RELEASE PER DCN 4455 RJA	8-22-96
SYM	REVISIONS	APP DATE

THE DESIGN AND DIMENSIONS OF THE PRODUCT SHOWN ON THIS DRAWING ARE SUBJECT TO CHANGE WITHOUT NOTICE.

NOTES:
1. ALL DECIMAL DIM. TOLS. TO BE ± .03

TITLE
100A 4 WIRE
PIN & SLEEVE
PLUG

TOLERANCES UNLESS OTHERWISE SPECIFIED	WIRING DEVICE DIVISION HARVEY HUBBELL, INC. BRIDGEPORT, CONN.	
FRACTIONS ± 1/64	DR. BY <i>RJA</i>	APP. BY
DECIMALS	TR. BY	SCALE 1:1
ANGLES ± 2°	CHK'D. BY	DATE 8-22-96