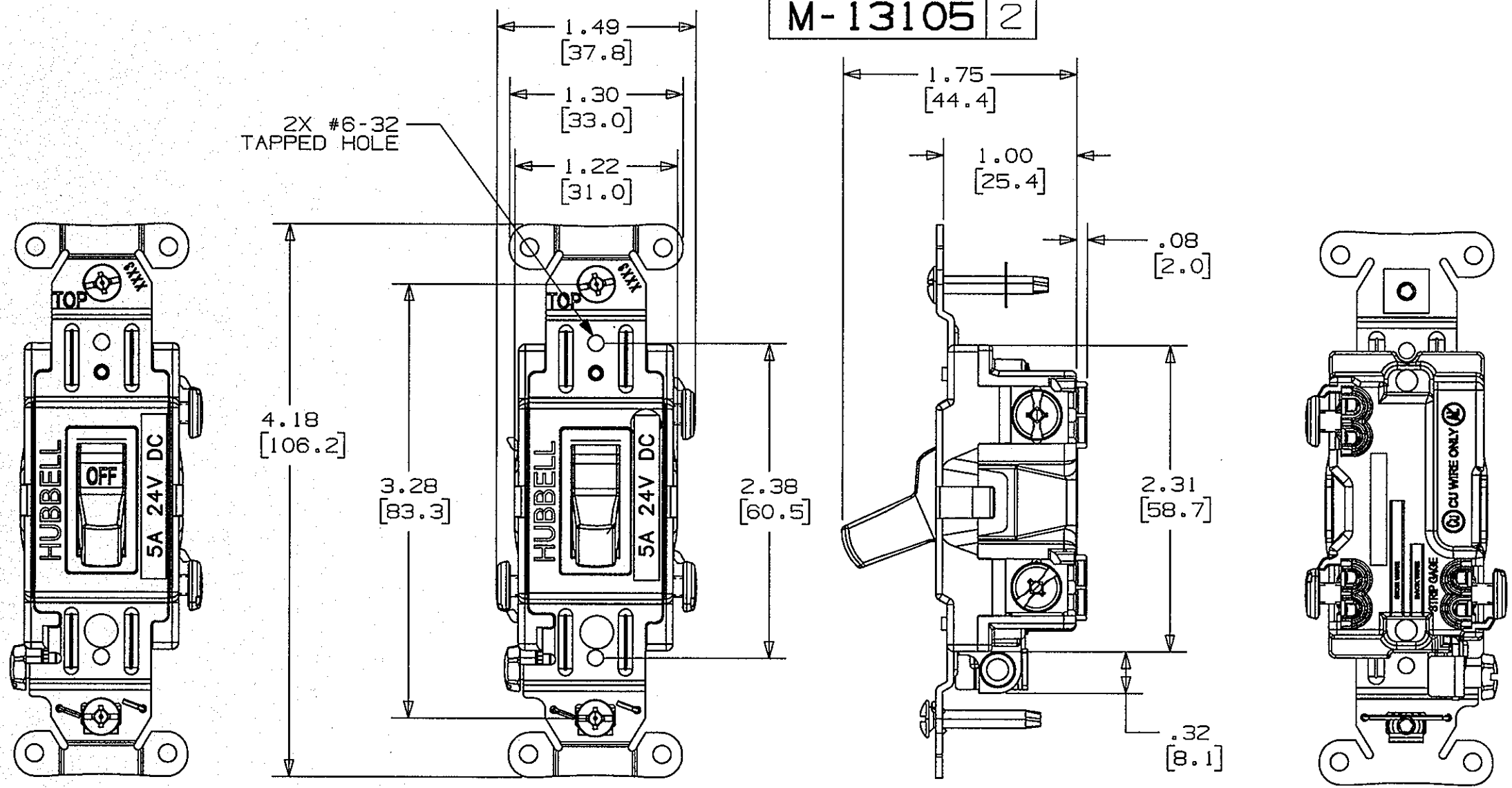


M-13105 2



SINGLE POLE

3-WAY

	CATALOG NUMBER	TOGGLE COLOR	AMPERAGE/ VOLTAGE RATING
SINGLE POLE	CSB120ALLV	ALMOND	5A 24V DC
	CSB120BKLV	BLACK	5A 24V DC
	CSB120BRLV	BROWN	5A 24V DC
	CSB120GYLV	GRAY	5A 24V DC
	CSB120ILV	IVORY	5A 24V DC
	CSB120LALV	LIGHT ALMOND	5A 24V DC
	CSB120RLV	RED	5A 24V DC
	CSB120WHLV	WHITE	5A 24V DC
3-WAY	CSB320ALLV	ALMOND	5A 24V DC
	CSB320BKLV	BLACK	5A 24V DC
	CSB320BRLV	BROWN	5A 24V DC
	CSB320GYLV	GRAY	5A 24V DC
	CSB320ILV	IVORY	5A 24V DC
	CSB320LALV	LIGHT ALMOND	5A 24V DC
	CSB320RLV	RED	5A 24V DC
	CSB320WHLV	WHITE	5A 24V DC

- NOTES:
- 1) DIMENSIONS ARE: INCHES [MM]
 - 2) .XX TOLERANCE TO BE ±.03 [0.76]
 - 3) BOTTOM HOUSING COLOR IS BLACK AND TOP HOUSING COLOR IS GRAY

DESCRIPTION	MATERIAL	FINISH
TOGGLE	THERMOPLASTIC	NONE
TOP HOUSING	THERMOPLASTIC	NONE
BOTTOM HOUSING	THERMOPLASTIC	NONE
RUBBER BUMPER	ELASTOMER	NONE
RIVET	STEEL	ZINC PLATED
GROUND SPRING	STAINLESS STEEL	NONE
MOUNTING SCREW	STEEL	ZINC PLATED
WASHER	THERMOPLASTIC	NONE
BRIDGE	STEEL	ZINC PLATED
GROUND SCREW	STEEL	DYE GREEN
GROUND CLAMP	STEEL	NI PLATED
WIRE CLAMP	STEEL	NI PLATED
ACTUATOR SPRING	SPRING WIRE	NONE
SPRING HOLDER	BRASS ALLOY	NONE
STATIONARY TERMINAL	BRASS ALLOY	BRIGHT DIP
BRUSH TERMINAL-L	BRASS ALLOY	BRIGHT DIP
BRUSH TERMINAL-R	BRASS ALLOY	BRIGHT DIP
CROSSOVER TERMINAL	BRASS ALLOY	BRIGHT DIP
TERMINAL SCREW	STEEL	PLATED
SILVER CONTACT	CADMIUM FREE SILVER ALLOY	NONE

REV	DESCRIPTION	APP	DATE
2	UPDATED 3-WAY FRONT VIEW PER DCN 22039 JZW	PJB	4/20/15
1	NEW DOCUMENT RELEASE PER DCN 21605 DDL	PJB	12/04/15
SYM	REVISIONS	APP	DATE

REPAIRABLE NON-REPAIRABLE

THE DESIGN AND DIMENSIONS OF THE PRODUCT SHOWN ON THIS DRAWING ARE SUBJECT TO CHANGE WITHOUT NOTICE

TITLE SINGLE POLE AND 3-WAY LOW VOLTAGE 5A 24V BACK & SIDE WIRE DC TOGGLE SWITCH

TOLERANCES UNLESS OTHERWISE SPECIFIED	WIRING DEVICE-KELLEMS HUBBELL INCORPORATED SHELTON, CT	
.XX = ±.01	DR. BY DDL	APP. BY PJB
.XXX = ±.005	TR. BY	SCALE 1:1
ANGLES = ±2°	CHK. BY PJB	DATE 12/04/15

DIMENSION SHEET FOR CAT. NO. M-13105
 SEE TABLE
 REPAIRABLE NON-REPAIRABLE
 B
 M-13105
 2