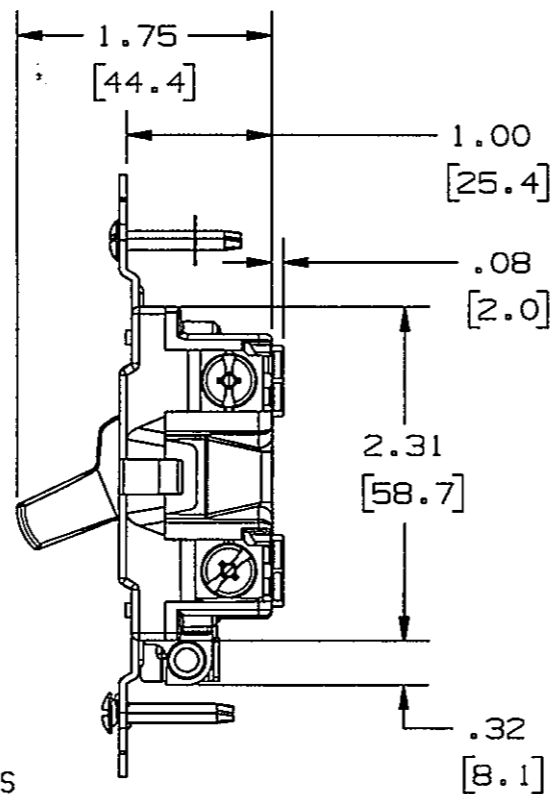
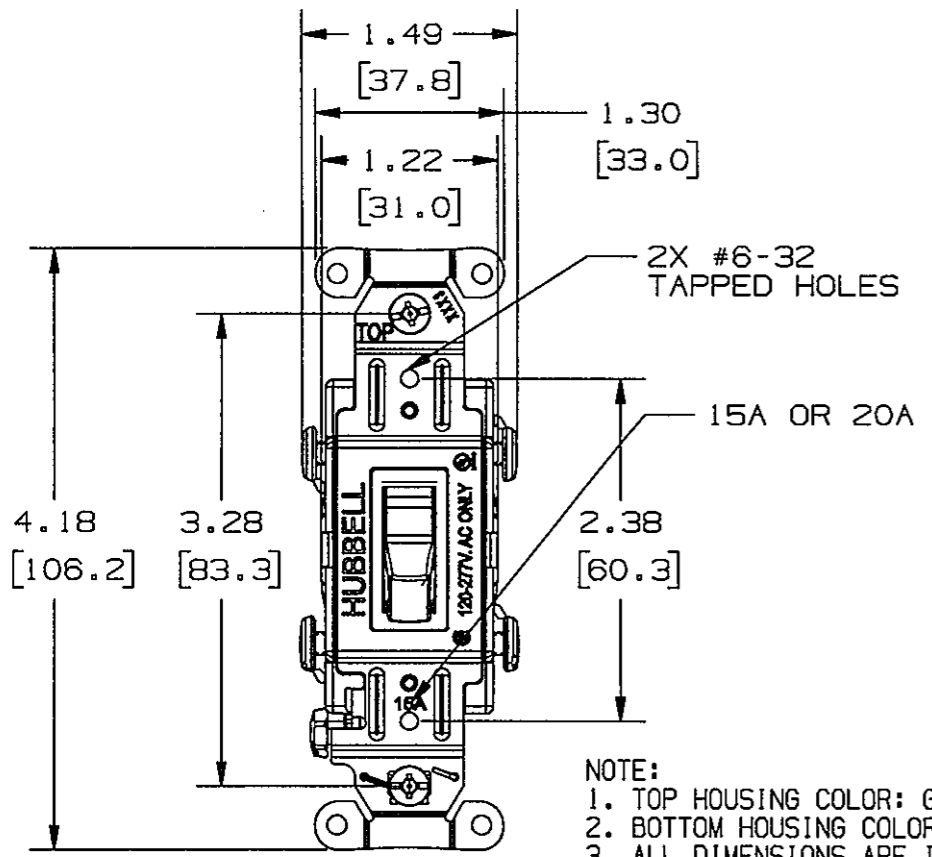
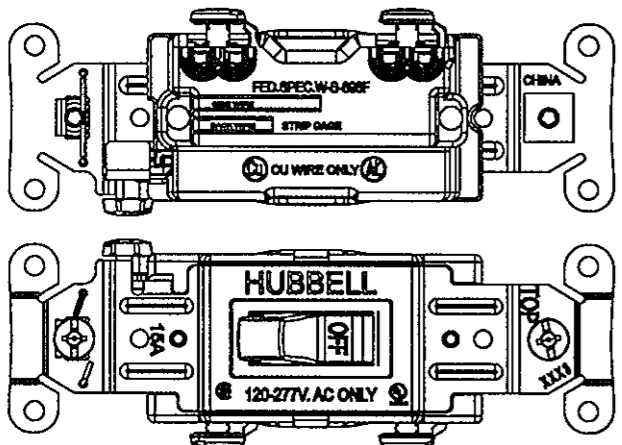


M-10870 3

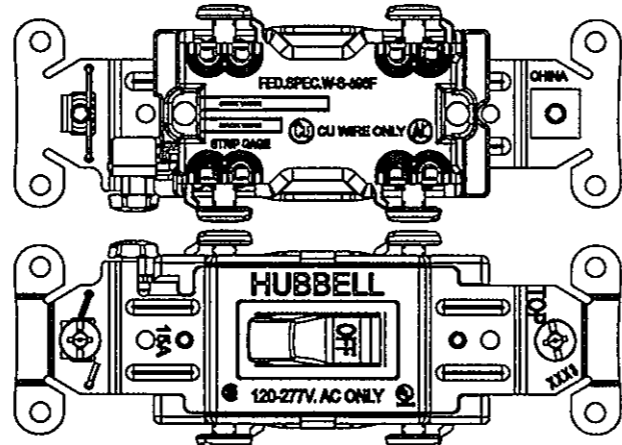


NOTE:
 1. TOP HOUSING COLOR: GRAY
 2. BOTTOM HOUSING COLOR: BLACK
 3. ALL DIMENSIONS ARE IN INCHES AND (MILLIMETERS)

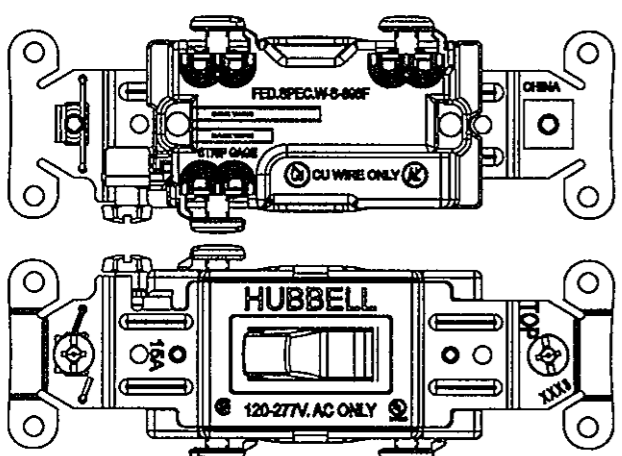
SINGLE POLE/BACK WIRE & SIDE WIRE



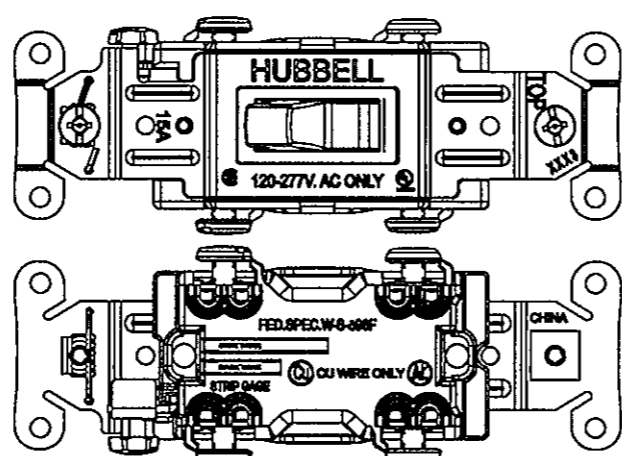
DOUBLE POLE/BACK WIRE & SIDE WIRE



3W/BACK WIRE & SIDE WIRE



4W/BACK WIRE & SIDE WIRE



CODE 74545

| CATALOG NO. | RATING/TYPE | TOGGLE COLOR |
|-------------|---------------------|--------------|
| CSB115 | 15A 120-277VAC S.P. | BROWN |
| CSB115I | 15A 120-277VAC S.P. | IVORY |
| CSB115GY | 15A 120-277VAC S.P. | GRAY |
| CSB115W | 15A 120-277VAC S.P. | WHITE |
| CSB115BK | 15A 120-277VAC S.P. | BLACK |
| CSB115OW | 15A 120-277VAC S.P. | OFFICE WHITE |
| CSB115AL | 15A 120-277VAC S.P. | ALMOND |
| CSB115LA | 15A 120-277VAC S.P. | LIGHT ALMOND |
| CSB215 | 15A 120-277VAC D.P. | BROWN |
| CSB215I | 15A 120-277VAC D.P. | IVORY |
| CSB215GY | 15A 120-277VAC D.P. | GRAY |
| CSB215W | 15A 120-277VAC D.P. | WHITE |
| CSB215BK | 15A 120-277VAC D.P. | BLACK |
| CSB215OW | 15A 120-277VAC D.P. | OFFICE WHITE |
| CSB215AL | 15A 120-277VAC D.P. | ALMOND |
| CSB215LA | 15A 120-277VAC D.P. | LIGHT ALMOND |
| CSB315 | 15A 120-277VAC 3W | BROWN |
| CSB315I | 15A 120-277VAC 3W | IVORY |
| CSB315GY | 15A 120-277VAC 3W | GRAY |
| CSB315W | 15A 120-277VAC 3W | WHITE |
| CSB315BK | 15A 120-277VAC 3W | BLACK |
| CSB315OW | 15A 120-277VAC 3W | OFFICE WHITE |
| CSB315AL | 15A 120-277VAC 3W | ALMOND |
| CSB315LA | 15A 120-277VAC 3W | LIGHT ALMOND |
| CSB415 | 15A 120-277VAC 4W | BROWN |
| CSB415I | 15A 120-277VAC 4W | IVORY |
| CSB415GY | 15A 120-277VAC 4W | GRAY |
| CSB415W | 15A 120-277VAC 4W | WHITE |
| CSB415BK | 15A 120-277VAC 4W | BLACK |
| CSB415OW | 15A 120-277VAC 4W | OFFICE WHITE |
| CSB415AL | 15A 120-277VAC 4W | ALMOND |
| CSB415LA | 15A 120-277VAC 4W | LIGHT ALMOND |
| CSB120 | 20A 120-277VAC S.P. | BROWN |
| CSB120I | 20A 120-277VAC S.P. | IVORY |
| CSB120GY | 20A 120-277VAC S.P. | GRAY |
| CSB120W | 20A 120-277VAC S.P. | WHITE |
| CSB120R | 20A 120-277VAC S.P. | RED |
| CSB120BK | 20A 120-277VAC S.P. | BLACK |
| CSB120OW | 20A 120-277VAC S.P. | OFFICE WHITE |
| CSB120AL | 20A 120-277VAC S.P. | ALMOND |
| CSB120LA | 20A 120-277VAC S.P. | LIGHT ALMOND |
| CSB220 | 20A 120-277VAC D.P. | BROWN |
| CSB220I | 20A 120-277VAC D.P. | IVORY |
| CSB220GY | 20A 120-277VAC D.P. | GRAY |
| CSB220W | 20A 120-277VAC D.P. | WHITE |
| CSB220R | 20A 120-277VAC D.P. | RED |
| CSB220BK | 20A 120-277VAC D.P. | BLACK |
| CSB220OW | 20A 120-277VAC D.P. | OFFICE WHITE |
| CSB220AL | 20A 120-277VAC D.P. | ALMOND |
| CSB220LA | 20A 120-277VAC D.P. | LIGHT ALMOND |
| CSB320 | 20A 120-277VAC 3W | BROWN |
| CSB320I | 20A 120-277VAC 3W | IVORY |
| CSB320GY | 20A 120-277VAC 3W | GRAY |
| CSB320W | 20A 120-277VAC 3W | WHITE |
| CSB320R | 20A 120-277VAC 3W | RED |
| CSB320BK | 20A 120-277VAC 3W | BLACK |
| CSB320OW | 20A 120-277VAC 3W | OFFICE WHITE |
| CSB320AL | 20A 120-277VAC 3W | ALMOND |
| CSB320LA | 20A 120-277VAC 3W | LIGHT ALMOND |
| CSB420 | 20A 120-277VAC 4W | BROWN |
| CSB420I | 20A 120-277VAC 4W | IVORY |
| CSB420GY | 20A 120-277VAC 4W | GRAY |
| CSB420W | 20A 120-277VAC 4W | WHITE |
| CSB420R | 20A 120-277VAC 4W | RED |
| CSB420BK | 20A 120-277VAC 4W | BLACK |
| CSB420OW | 20A 120-277VAC 4W | OFFICE WHITE |
| CSB420AL | 20A 120-277VAC 4W | ALMOND |
| CSB420LA | 20A 120-277VAC 4W | LIGHT ALMOND |

| LIST OF PARTS | | |
|---------------------|---------------------------|-------------|
| DESCRIPTION | MATERIAL | FINISH |
| TOGGLE | THERMOPLASTIC | NONE |
| TOP HOUSING | THERMOPLASTIC | NONE |
| BOTTOM HOUSING | THERMOPLASTIC | NONE |
| RUBBER BUMPER | ELASTOMER | NONE |
| RIVET | STEEL | ZINC PLATED |
| GROUND SPRING | STAINLESS STEEL | NONE |
| MOUNTING SCREW | STEEL | ZINC PLATED |
| WASHER | THERMOPLASTIC | NONE |
| BRIDGE | STEEL | ZINC PLATED |
| GROUND SCREW | STEEL | DYE GREEN |
| GROUND CLAMP | STEEL | NI PLATED |
| WIRE CLAMP | STEEL | NI PLATED |
| ACTUATOR SPRING | SPRING WIRE | NONE |
| SPRING HOLDER | BRASS ALLOY | NONE |
| STATIONARY TERMINAL | BRASS ALLOY | BRIGHT DIP |
| BRUSH TERMINAL-L | BRASS ALLOY | BRIGHT DIP |
| BRUSH TERMINAL-R | BRASS ALLOY | BRIGHT DIP |
| CROSSOVER TERMINAL | BRASS ALLOY | BRIGHT DIP |
| TERMINAL SCREW | STEEL | PLATED |
| SILVER CONTACT | CADMIUM FREE SILVER ALLOY | NONE |

REPAIRABLE NON-REPAIRABLE

| SYMBOL | REVISIONS | APP | DATE |
|--------|---|-----|----------|
| 3 | NO CHANGES TO THIS SHEET. PER DCN 18914 DDL | EJM | 06/14/12 |
| 2 | 10-19-11 ADDED C120BK AND CS320BK TO CHART PER DCN18422 DMP | DMP | 10/19/11 |
| 1 | 6/17/09 RELEASE FOR PRODUCTION PER DCN#15750 C.Z | C.Z | 6/17/09 |

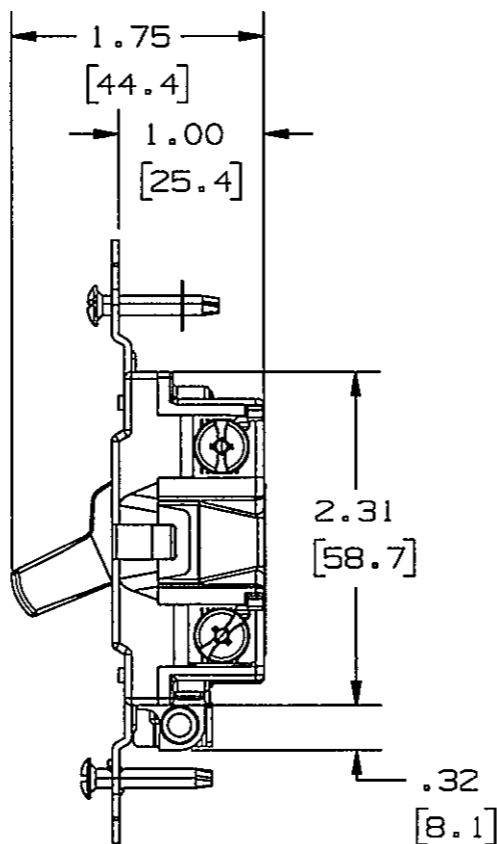
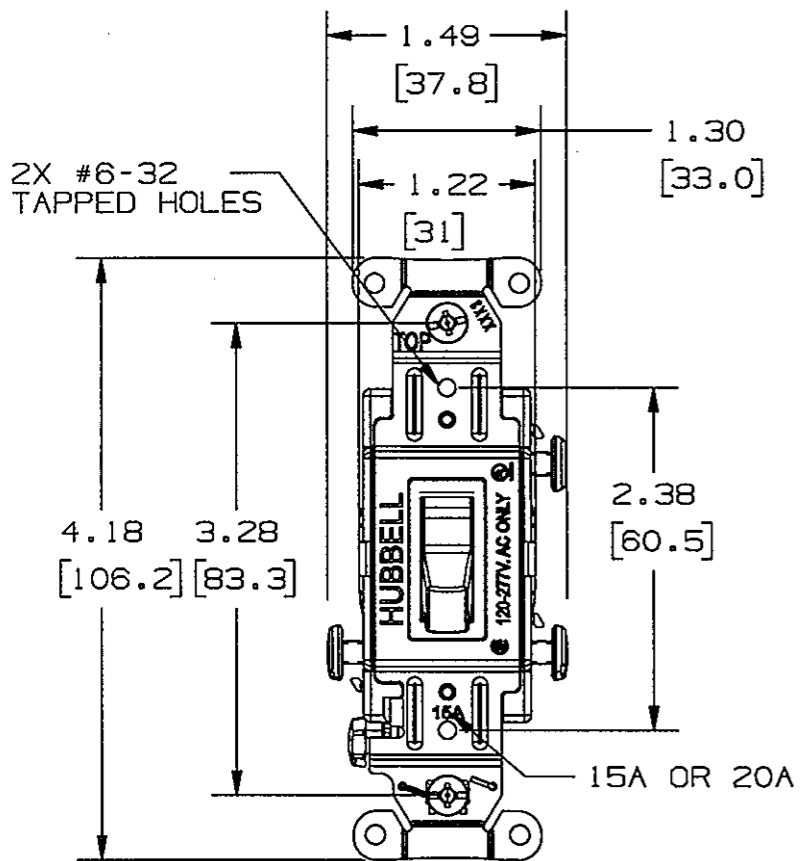
THE DESIGN AND DIMENSIONS OF THE PRODUCT SHOWN ON THIS DRAWING ARE SUBJECT TO CHANGE WITHOUT NOTICE

TITLE SPECIFICATION GRADE COMMERCIAL SERIES 15A & 20A BACK & SIDE WIRE AC TOGGLE SWITCH, HUBBELL

| | | |
|---------------------------------------|---|--------------|
| TOLERANCES UNLESS OTHERWISE SPECIFIED | WIRING DEVICE-KELLEMS HUBBELL INCORPORATED BRIDGEPORT, CT | |
| FRACTIONS ±1/64 | DR. BY J. X | APP. BY C. Z |
| DECIMALS ±.005 | TR. BY J. X | SCALE |
| ANGLES ±2° | CHK'D BY J. X | DATE 6/17/09 |

DIMENSION SHEET FOR CAT. NO. SEE TABLE M-10870 3

M-10870 3



| CATALOG NO. | RATING/TYPE | TOGGLE COLOR |
|-------------|---------------------|--------------|
| CS115 | 15A 120-277VAC S.P. | BROWN |
| CS115I | 15A 120-277VAC S.P. | IVORY |
| CS115GY | 15A 120-277VAC S.P. | GRAY |
| CS115W | 15A 120-277VAC S.P. | WHITE |
| CS115BK | 15A 120-277VAC S.P. | BLACK |
| CS115OW | 15A 120-277VAC S.P. | OFFICE WHITE |
| CS115AL | 15A 120-277VAC S.P. | ALMOND |
| CS115LA | 15A 120-277VAC S.P. | LIGHT ALMOND |
| CS315 | 15A 120-277VAC 3W | BROWN |
| CS315I | 15A 120-277VAC 3W | IVORY |
| CS315GY | 15A 120-277VAC 3W | GRAY |
| CS315W | 15A 120-277VAC 3W | WHITE |
| CS315OW | 15A 120-277VAC 3W | OFFICE WHITE |
| CS315AL | 15A 120-277VAC 3W | ALMOND |
| CS315LA | 15A 120-277VAC 3W | LIHT ALMOND |
| CS120 | 20A 120-277VAC S.P. | BROWN |
| CS120BK | 20A 120-277VAC S.P. | BLACK |
| CS120I | 20A 120-277VAC S.P. | IVORY |
| CS120GY | 20A 120-277VAC S.P. | GRAY |
| CS120W | 20A 120-277VAC S.P. | WHITE |
| CS120OW | 20A 120-277VAC S.P. | OFFICE WHITE |
| CS120AL | 20A 120-277VAC S.P. | ALMOND |
| CS120LA | 20A 120-277VAC S.P. | LIGHT ALMOND |
| CS320 | 20A 120-277VAC 3W | BROWN |
| CS320BK | 20A 120-277VAC 3W | BLACK |
| CS320I | 20A 120-277VAC 3W | IVORY |
| CS320GY | 20A 120-277VAC 3W | GRAY |
| CS320W | 20A 120-277VAC 3W | WHITE |
| CS320OW | 20A 120-277VAC 3W | OFFICE WHITE |
| CS320AL | 20A 120-277VAC 3W | ALMOND |
| CS320LA | 20A 120-277VAC 3W | LIGHT ALMOND |

| LIST OF PARTS | | |
|---------------------|---------------------------|-------------|
| DESCRIPTION | MATERIAL | FINISH |
| TOGGLE | THERMOPLASTIC | NONE |
| TOP HOUSING | THERMOPLASTIC | NONE |
| BOTTOM HOUSING | THERMOPLASTIC | NONE |
| RUBBER BUMPER | ELASTOMER | NONE |
| RIVET | STEEL | ZINC PLATED |
| GROUND SPRING | STAINLESS STEEL | NONE |
| MOUNTING SCREW | STEEL | ZINC PLATED |
| WASHER | THERMOPLASTIC | NONE |
| BRIDGE | STEEL | ZINC PLATED |
| GROUND SCREW | STEEL | DYE GREEN |
| GROUND CLAMP | STEEL | NI PLATED |
| ACTUATOR SPRING | SPRING WIRE | NONE |
| SPRING HOLDER | BRASS ALLOY | NONE |
| STATIONARY TERMINAL | BRASS ALLOY | BRIGHT DIP |
| BRUSH TERMINAL-L | BRASS ALLOY | BRIGHT DIP |
| BRUSH TERMINAL-R | BRASS ALLOY | BRIGHT DIP |
| CROSSOVER TERMINAL | BRASS ALLOY | BRIGHT DIP |
| TERMINAL SCREW | STEEL | PLATED |
| SILVER CONTACT | CADMIUM FREE SILVER ALLOY | NONE |

DIMENSION SHEET FOR CAT. NO. SEE TABLE

REPAIRABLE

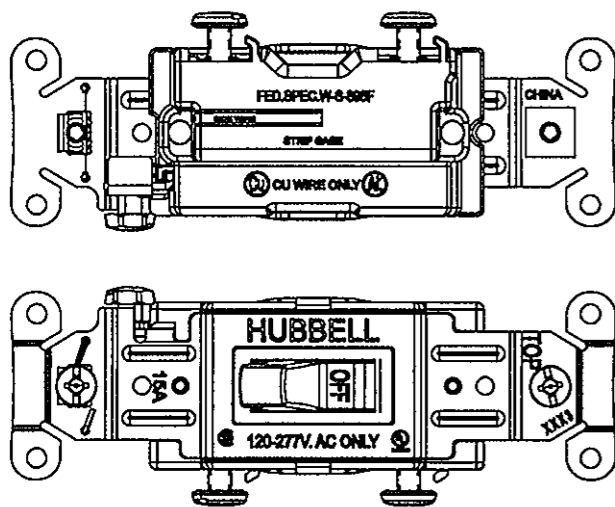
NON-REPAIRABLE

B

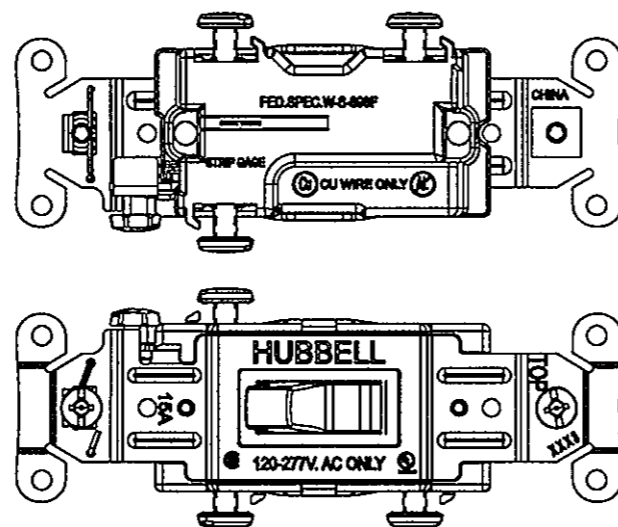
M-10870

3

SINGLE POLE/SIDE WIRE



3W/SIDE WIRE



NOTE:
 1. TOP HOUSING COLOR: GRAY
 2. BOTTOM HOUSING COLOR: BLACK
 3. ALL DIMENSIONS ARE IN INCHES AND (MILLIMETERS)

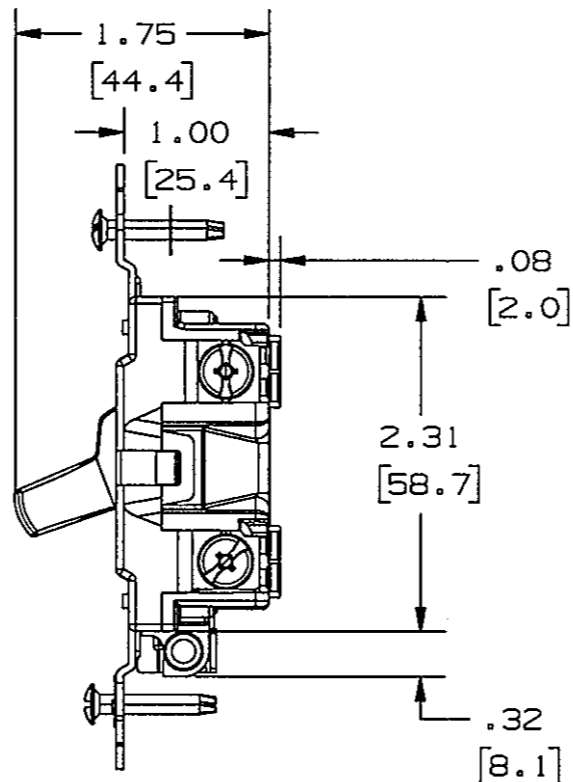
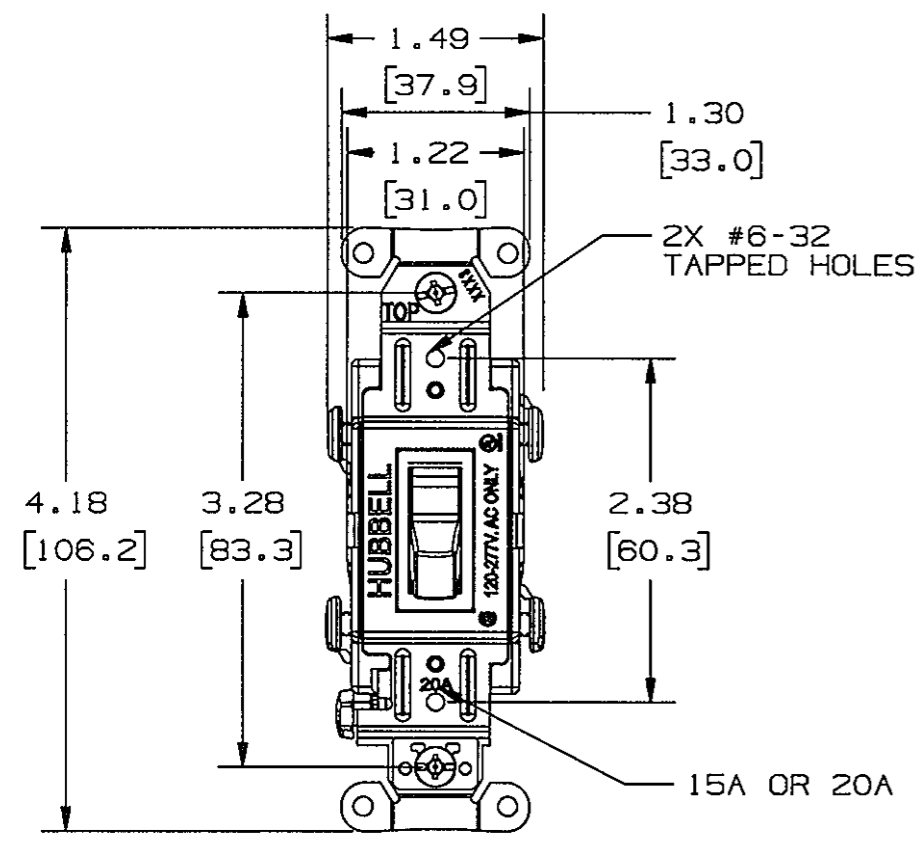
| SYM | REVISIONS | APP | DATE |
|-----|--|-----|----------|
| 3 | ADDED CAT. NO. CS115BK AND SPECS TO TABLE. PER DCN 18914 DDL | EJM | 06/14/12 |
| 2 | 10-19-11 ADDED C120BK AND CS320BK TO CHART PER DCN18422 DMP | DMP | 10/19/11 |
| 1 | 6/17/09 RELEASE FOR PRODCUTION PER DCN#15750 C.Z | C.Z | 6/17/09 |

THE DESIGN AND DIMENSIONS OF THE PRODUCT SHOWN ON THIS DRAWING ARE SUBJECT TO CHANGE WITHOUT NOTICE

TITLE SPECIFICATION GRADE COMMERCIAL SERIES 15A & 20A SIDE WIRE AC TOOGGLE SWITCH, HUBBELL

| | | |
|---------------------------------------|---|--------------|
| TOLERANCES UNLESS OTHERWISE SPECIFIED | WIRING DEVICE-KELLEMS HUBBELL INCORPORATED BRIDGEPORT, CT | |
| FRACTIONS ± 1/64 | DR. BY J.X | APP. BY C.Z |
| DECIMALS ± .005 | TR. BY J.X | SCALE |
| ANGLES ± 2° | CHK'D BY J.X | DATE 6/17/09 |

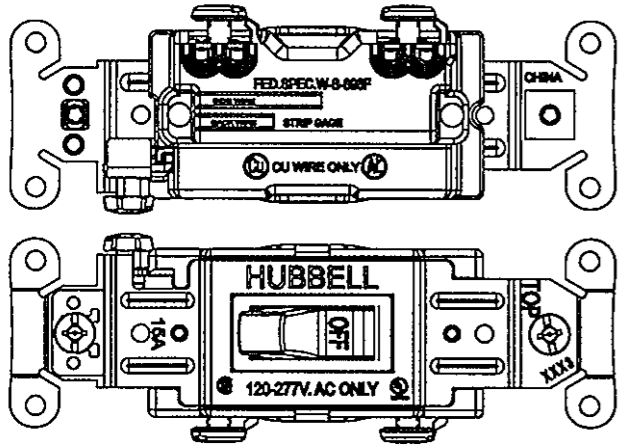
M-10870 3



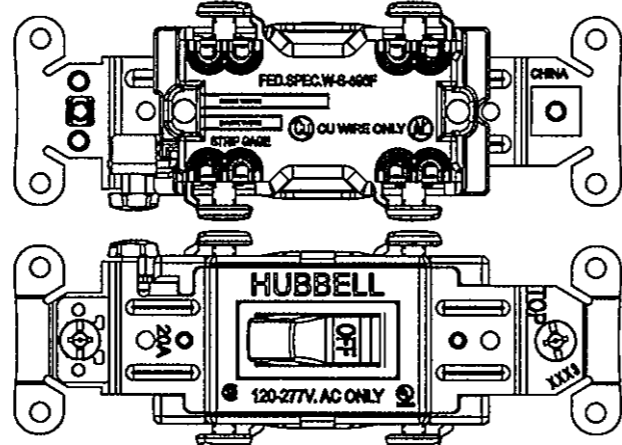
| CATALOG NO. | RATING/TYPE | TOGGLE COLOR |
|-------------|---------------------|--------------|
| 1201B | 15A 120-277VAC S.P. | BROWN |
| 1201GY | 15A 120-277VAC S.P. | GRAY |
| 1201I | 15A 120-277VAC S.P. | IVORY |
| 1201W | 15A 120-277VAC S.P. | WHITE |
| 1201BK | 15A 120-277VAC S.P. | BLACK |
| 1201AL | 15A 120-277VAC S.P. | ALMOND |
| 1201LA | 15A 120-277VAC S.P. | LIGHT ALMOND |
| 1203B | 15A 120-277VAC 3W | BROWN |
| 1203GY | 15A 120-277VAC 3W | GRAY |
| 1203I | 15A 120-277VAC 3W | IVORY |
| 1203W | 15A 120-277VAC 3W | WHITE |
| 1203BK | 15A 120-277VAC 3W | BLACK |
| 1203AL | 15A 120-277VAC 3W | ALMOND |
| 1203LA | 15A 120-277VAC 3W | LIGHT ALMOND |
| 1221B | 20A 120-277VAC S.P. | BROWN |
| 1221GY | 20A 120-277VAC S.P. | GRAY |
| 1221I | 20A 120-277VAC S.P. | IVORY |
| 1221R | 20A 120-277VAC S.P. | RED |
| 1221W | 20A 120-277VAC S.P. | WHITE |
| 1221AL | 20A 120-277VAC S.P. | ALMOND |
| 1221BK | 20A 120-277VAC S.P. | BLACK |
| 1221LA | 20A 120-277VAC S.P. | LIGHT ALMOND |
| 1222B | 20A 120-277VAC D.P. | BROWN |
| 1222GY | 20A 120-277VAC D.P. | GRAY |
| 1222I | 20A 120-277VAC D.P. | IVORY |
| 1222R | 20A 120-277VAC D.P. | RED |
| 1222W | 20A 120-277VAC D.P. | WHITE |
| 1222AL | 20A 120-277VAC D.P. | ALMOND |
| 1222BK | 20A 120-277VAC D.P. | BLACK |
| 1222LA | 20A 120-277VAC D.P. | LIGHT ALMOND |
| 1223B | 20A 120-277VAC 3W | BROWN |
| 1223GY | 20A 120-277VAC 3W | GRAY |
| 1223I | 20A 120-277VAC 3W | IVORY |
| 1223R | 20A 120-277VAC 3W | RED |
| 1223W | 20A 120-277VAC 3W | WHITE |
| 1223AL | 20A 120-277VAC 3W | ALMOND |
| 1223BK | 20A 120-277VAC 3W | BLACK |
| 1223LA | 20A 120-277VAC 3W | LIGHT ALMOND |
| 1224B | 20A 120-277VAC 4W | BROWN |
| 1224GY | 20A 120-277VAC 4W | GRAY |
| 1224I | 20A 120-277VAC 4W | IVORY |
| 1224R | 20A 120-277VAC 4W | RED |
| 1224W | 20A 120-277VAC 4W | WHITE |
| 1224AL | 20A 120-277VAC 4W | ALMOND |
| 1224BK | 20A 120-277VAC 4W | BLACK |
| 1224LA | 20A 120-277VAC 4W | LIGHT ALMOND |

| LIST OF PARTS | | |
|---------------------|--------------------------|-------------|
| DESCRIPTION | MATERIAL | FINISH |
| TOGGLE | THERMOPLASTIC | NONE |
| TOP HOUSING | THERMOPLASTIC | NONE |
| BOTTOM HOUSING | THERMOPLASTIC | NONE |
| RUBBER BUMPER | ELASTOMER | NONE |
| RIVET | STEEL | ZINC PLATED |
| GROUND CLIP | 301 S.S | NONE |
| MOUNTING SCREW | STEEL | ZINC PLATED |
| WASHER | THERMOPLASTIC | NONE |
| STRAP HUBBELL | STEEL | ZINC PLATED |
| GROUND SCREW | STEEL | DYE GREEN |
| GROUND CLAMP | STEEL | NI PLATED |
| WIRE CLAMP | STEEL | NI PLATED |
| ACTUATOR SPRING | SPRING WIRE | NONE |
| SPRING HOLDER | BRASS ALLOY | NONE |
| STATIONARY TERMINAL | BRASS ALLOY | BRIGHT DIP |
| BRUSH TERMINAL-L | BRASS ALLOY | BRIGHT DIP |
| BRUSH TERMINAL-R | BRASS ALLOY | BRIGHT DIP |
| CROSSOVER TERMINAL | BRASS ALLOY | BRIGHT DIP |
| TERMINAL SCREW | BRASS ALLOY | PLATED |
| SILVET CONTACT | CADIUM FREE SILVER ALLOY | NONE |

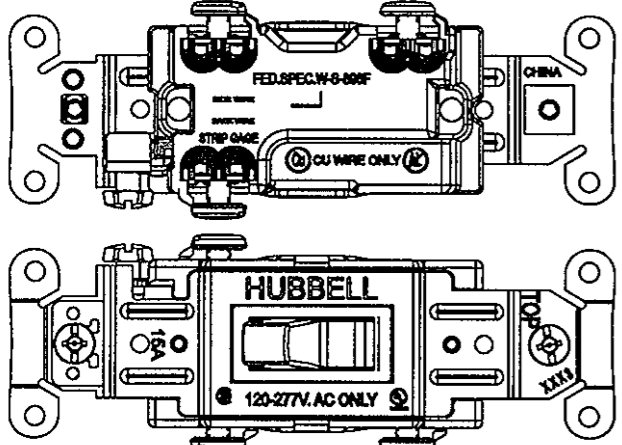
SINGLE POLE/BACK WIRE & SIDE WIRE



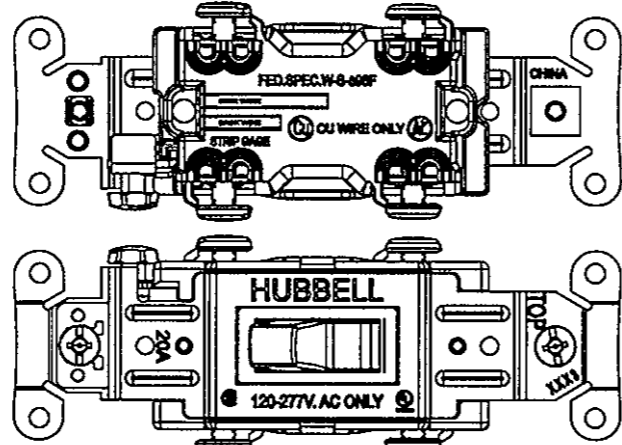
DOUBLE POLE/BACK WIRE & SIDE WIRE



3W/BACK WIRE & SIDE WIRE



4W/BACK WIRE & SIDE WIRE



NOTE:
 1. "15A" USED TO BLUE TOP HOUSING
 "20A" USED TO RED TOP HOUSING
 2. BOTTOM HOUSING COLOR: BLACK
 3. ALL DIMENSIONS ARE IN INCHES AND (MILLIMETERS)

| SYM | REVISIONS | APP | DATE |
|-----|---|-----|----------|
| 3 | NO CHANGES TO THIS SHEET PER DCN 18914 DDL | EJM | 06/14/12 |
| 2 | 10-19-11 ADDED C120BK AND CS320BK TO CHART PER DCN18422 DMP | DMP | 10/19/11 |
| 1 | 6/17/09 RELEASE FOR PRODUCTION PER DCN#15750 C.Z | C.Z | 6/17/09 |

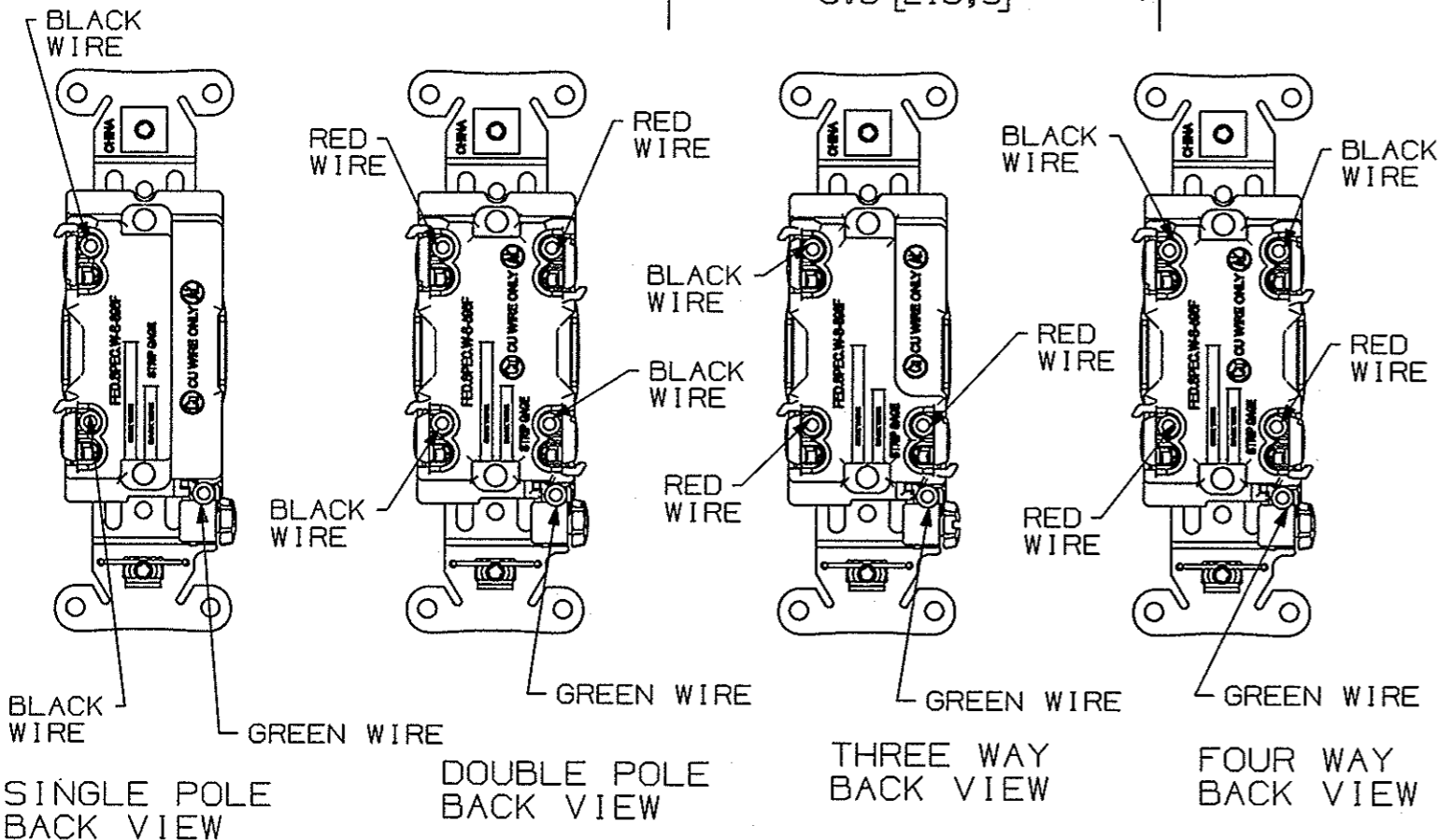
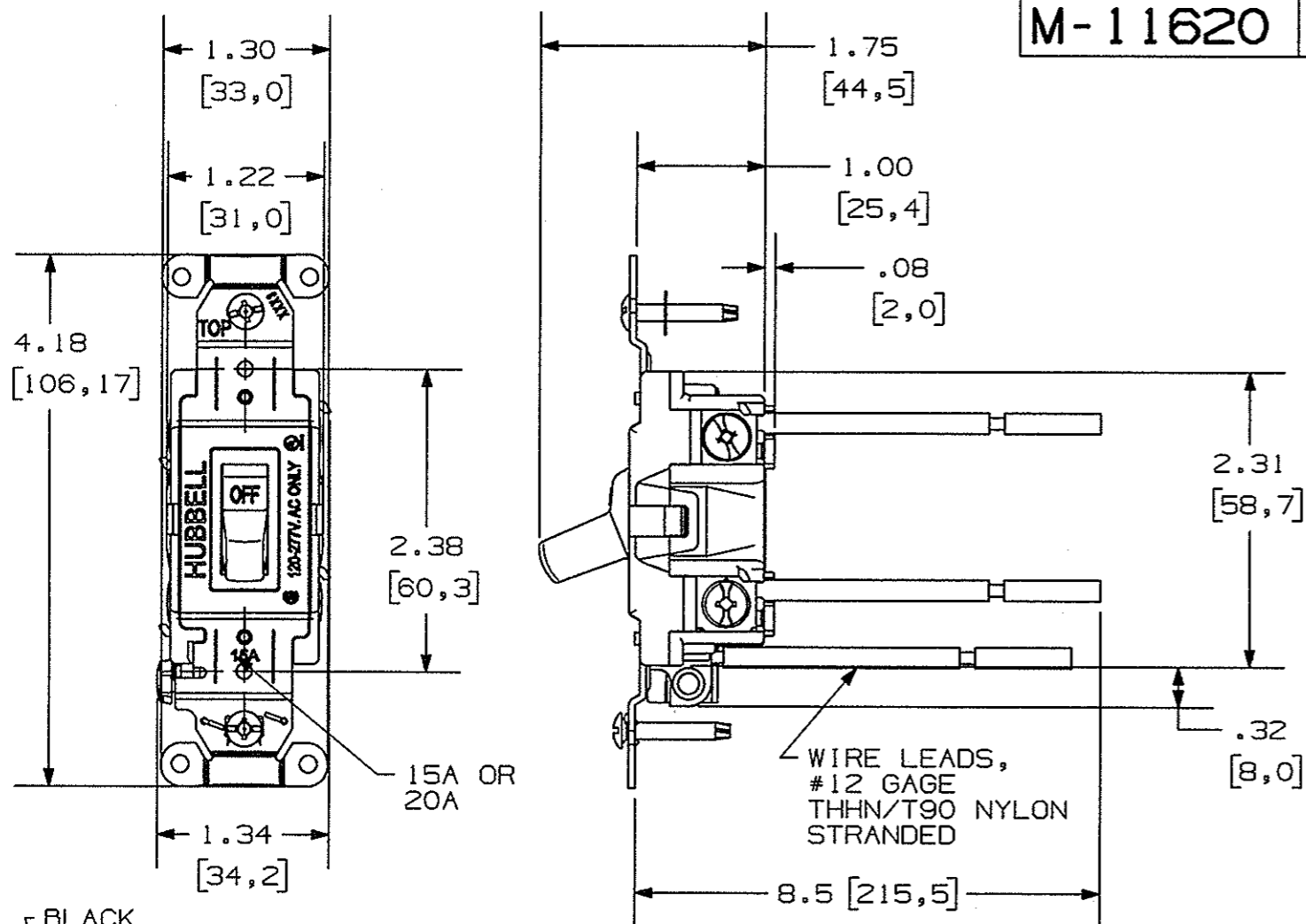
THE DESIGN AND DIMENSIONS OF THE PRODUCT SHOWN ON THIS DRAWING ARE SUBJECT TO CHANGE WITHOUT NOTICE

TITLE HUBBELL-PRO
 HEAVY DUTY INDUSTRIAL SERIES
 15A & 20A BACK & SIDE WIRE
 AC TOGGLE SWITCH, HUBBELL

| | | |
|---------------------------------------|---|--------------|
| TOLERANCES UNLESS OTHERWISE SPECIFIED | WIRING DEVICE-KELLEMS HUBBELL INCORPORATED BRIDGEPORT, CT | |
| FRACTIONS ±1/64 | DR. BY J.X | APP. BY C.Z |
| DECIMALS ±.005 | TR. BY J.X | SCALE |
| ANGLES ±2° | CHK'D BY J.X | DATE 6/17/09 |

DIMENSION SHEET FOR CAT. NO. SEE TABLE
 REPAIRABLE NON-REPAIRABLE
 B M-10870 3

M-11620 1



CODE 74545

ALL DIMENSIONS ARE IN INCHES AND [MILLIMETERS]

| CATALOG NUMBER | RATING / TYPE | TOGGLE COLOR |
|----------------|---------------------|--------------|
| CSL115 | 15A 120-277VAC S.P. | BROWN |
| CSL115AL | 15A 120-277VAC S.P. | ALMOND |
| CSL115BK | 15A 120-277VAC S.P. | BLACK |
| CSL115GY | 15A 120-277VAC S.P. | GRAY |
| CSL115I | 15A 120-277VAC S.P. | IVORY |
| CSL115LA | 15A 120-277VAC S.P. | LIGHT ALMOND |
| CSL115OW | 15A 120-277VAC S.P. | OFFICE WHITE |
| CSL115W | 15A 120-277VAC S.P. | WHITE |
| CSL120 | 20A 120-277VAC S.P. | BROWN |
| CSL120AL | 20A 120-277VAC S.P. | ALMOND |
| CSL120BK | 20A 120-277VAC S.P. | BLACK |
| CSL120GY | 20A 120-277VAC S.P. | GRAY |
| CSL120I | 20A 120-277VAC S.P. | IVORY |
| CSL120LA | 20A 120-277VAC S.P. | LIGHT ALMOND |
| CSL120OW | 20A 120-277VAC S.P. | OFFICE WHITE |
| CSL120R | 20A 120-277VAC S.P. | RED |
| CSL120W | 20A 120-277VAC S.P. | WHITE |
| CSL215 | 15A 120-277VAC D.P. | BROWN |
| CSL215AL | 15A 120-277VAC D.P. | ALMOND |
| CSL215BK | 15A 120-277VAC D.P. | BLACK |
| CSL215GY | 15A 120-277VAC D.P. | GRAY |
| CSL215I | 15A 120-277VAC D.P. | IVORY |
| CSL215LA | 15A 120-277VAC D.P. | LIGHT ALMOND |
| CSL215OW | 15A 120-277VAC D.P. | OFFICE WHITE |
| CSL215W | 15A 120-277VAC D.P. | WHITE |
| CSL220 | 20A 120-277VAC D.P. | BROWN |
| CSL220AL | 20A 120-277VAC D.P. | ALMOND |
| CSL220BK | 20A 120-277VAC D.P. | BLACK |
| CSL220GY | 20A 120-277VAC D.P. | GRAY |
| CSL220I | 20A 120-277VAC D.P. | IVORY |
| CSL220LA | 20A 120-277VAC D.P. | LIGHT ALMOND |
| CSL220OW | 20A 120-277VAC D.P. | OFFICE WHITE |
| CSL220R | 20A 120-277VAC D.P. | RED |
| CSL220W | 20A 120-277VAC D.P. | WHITE |
| CSL315 | 15A 120-277VAC 3W | BROWN |
| CSL315AL | 15A 120-277VAC 3W | ALMOND |
| CSL315BK | 15A 120-277VAC 3W | BLACK |
| CSL315GY | 15A 120-277VAC 3W | GRAY |
| CSL315I | 15A 120-277VAC 3W | IVORY |
| CSL315LA | 15A 120-277VAC 3W | LIGHT ALMOND |
| CSL315OW | 15A 120-277VAC 3W | OFFICE WHITE |
| CSL315W | 15A 120-277VAC 3W | WHITE |
| CSL320 | 20A 120-277VAC 3W | BROWN |
| CSL320AL | 20A 120-277VAC 3W | ALMOND |
| CSL320BK | 20A 120-277VAC 3W | BLACK |
| CSL320GY | 20A 120-277VAC 3W | GRAY |
| CSL320I | 20A 120-277VAC 3W | IVORY |
| CSL320LA | 20A 120-277VAC 3W | LIGHT ALMOND |
| CSL320OW | 20A 120-277VAC 3W | OFFICE WHITE |
| CSL320R | 20A 120-277VAC 3W | RED |
| CSL320W | 20A 120-277VAC 3W | WHITE |
| CSL415 | 15A 120-277VAC 4W | BROWN |
| CSL415AL | 15A 120-277VAC 4W | ALMOND |
| CSL415BK | 15A 120-277VAC 4W | BLACK |
| CSL415GY | 15A 120-277VAC 4W | GRAY |
| CSL415I | 15A 120-277VAC 4W | IVORY |
| CSL415LA | 15A 120-277VAC 4W | LIGHT ALMOND |
| CSL415OW | 15A 120-277VAC 4W | OFFICE WHITE |
| CSL415W | 15A 120-277VAC 4W | WHITE |
| CSL420 | 20A 120-277VAC 4W | BROWN |
| CSL420AL | 20A 120-277VAC 4W | ALMOND |
| CSL420BK | 20A 120-277VAC 4W | BLACK |
| CSL420GY | 20A 120-277VAC 4W | GRAY |
| CSL420I | 20A 120-277VAC 4W | IVORY |
| CSL420LA | 20A 120-277VAC 4W | LIGHT ALMOND |
| CSL420OW | 20A 120-277VAC 4W | OFFICE WHITE |
| CSL420R | 20A 120-277VAC 4W | RED |
| CSL420W | 20A 120-277VAC 4W | WHITE |

| LIST OF PARTS | | |
|-----------------|---------------------------|------------------|
| DESCRIPTION | MATERIAL | FINISH |
| TOGGLE | THERMOPLASTIC | SEE CHART |
| TOP HOUSING | THERMOPLASTIC | GRAY COLOR |
| BOTTOM HOUSING | THERMOPLASTIC | BLACK COLOR |
| RUBBER BUMPER | ELASTOMER | NONE |
| RIVET | STEEL | ZINC |
| GROUND SPRING | STAINLESS STEEL | NONE |
| MOUNTING SCREW | STEEL | ZINC |
| WASHER | THERMOPLASTIC | NONE |
| BRIDGE | STEEL | ZINC |
| GROUND SCREW | STEEL | DYE GREEN |
| GROUND CLAMP | STEEL | NI PLATED |
| WIRE CLAMP | STEEL | NI PLATED |
| ACTUATOR SPRING | SPRING WIRE | NONE |
| SPRING HOLDER | BRASS ALLOY | NONE |
| TERMINALS | BRASS ALLOY | BRIGHT DIP |
| TERMINAL SCREWS | STEEL | PLATED |
| SILVER CONTACTS | CADMIUM FREE SILVER ALLOY | NONE |
| WIRE LEADS | STRANDED COPPER | NYLON INSULATION |

| | | |
|-----|-----------------------|----------|
| 1 | RELEASED PER DCN16487 | 7/28/10 |
| SYM | REVISIONS | APP DATE |

THE DESIGN AND DIMENSIONS OF THE PRODUCT SHOWN ON THIS DRAWING ARE SUBJECT TO CHANGE WITHOUT NOTICE

| | | |
|---------------------------------------|---|--|
| TITLE | | AC TOGGLE SWITCH COMMERCIAL SERIES WITH WIRE LEADS |
| TOLERANCES UNLESS OTHERWISE SPECIFIED | WIRING DEVICE-KELLEMS HUBBELL INCORPORATED BRIDGEPORT, CT | |
| FRACTIONS ± 1/64 | DR. BY SRE | APP. BY |
| DECIMALS ± .005 | TR. BY | SCALE 1:2 |
| ANGLES ± 2° | CHK'D BY | DATE 7/28/10 |

DIMENSION SHEET FOR CAT. NO. M-11620
 REPAIRABLE NON-REPAIRABLE
 SEE CHART
 B
 M-11620
 1