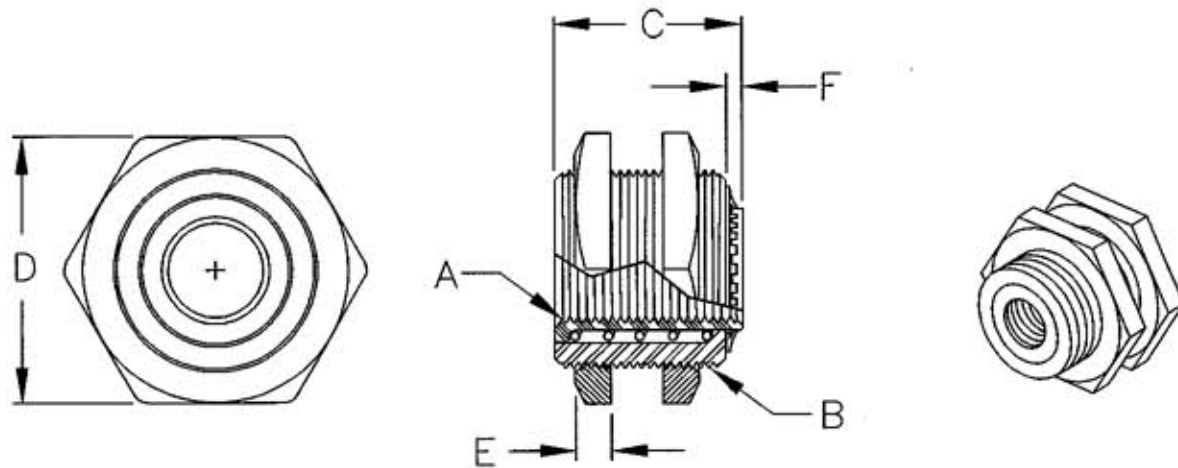


M-8780 1

HUBBELL MODEL	A	B	C	D	E	E	WEIGHT (OZ.)
CSM8	M8x1	M16x1.5	22.1(0.87)	22.1(0.87)	3.10(0.12)	3.13(0.12)	0.9
CSM12LP	M12x1	M18x1	21.1(0.83)	24.0(0.95)	4.06(0.16)	2.06(0.08)	1.3
CSM18	M18x1	M30x1.5	29.7(1.17)	35.8(1.41)	5.10(0.20)	4.23(0.17)	2.3
CSM30	M30x1.5	M47x1.5	37.3(1.47)	51.0(2.01)	5.10(0.20)	2.44(0.10)	4.7



UNLESS OTHERWISE SPECIFIED DIMENSIONS ARE IN mm (INCHES)

NOTES:

1. All housings are anodized aluminum except for CSM12LP which are stainless steel.
2. Jam nuts are all zinc-plated brass except for CSM12LP which are stainless steel.

CODE 74545

LIST OF PARTS		
DESCRIPTION	MATERIAL	FINISH
SEE NOTES		

DIMENSION SHEET FOR CAT. NO. M-8780

SEE CHART

REPAIRABLE NON-REPAIRABLE

1	5/1/02 "X" REMOVED; LAST "X" REVISION WAS X-0. RELEASED FOR PRODUCTION PER DCN #9320. GDR MJL		APP. DATE 5/23/02
SYM	REVISIONS	APP	DATE

THE DESIGN AND DIMENSIONS OF THE PRODUCT SHOWN ON THIS DRAWING ARE SUBJECT TO CHANGE WITHOUT NOTICE

TITLE
CUSHIONED SENSOR MOUNTS, THREADED TYPE

TOLERANCES UNLESS OTHERWISE SPECIFIED		WIRING DEVICE-KELLEMS HUBBELL INCORPORATED BRIDGEPORT, CT	
FRACTIONS	±1/64	DR. BY	GDR
DECIMALS	±005	TR. BY	SCALE NONE
ANGLES	±2°	CHK'D BY	DATE 5/1/02

M-8780