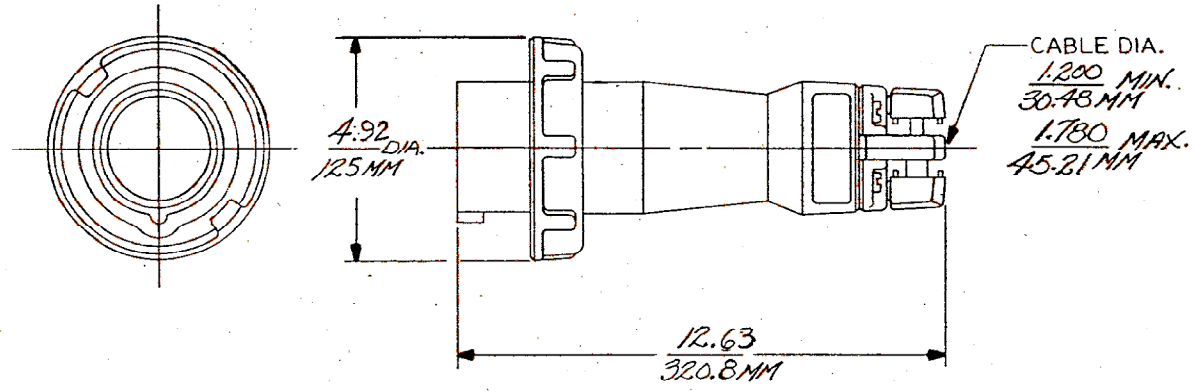


M-7669 1



LIST OF PARTS		
DESCRIPTION	MATERIAL	FINISH
HOUSING	NYLON	
INTERIOR	THERMOSET	
GASKET	RUBBER	
LOCK RING	POLYESTER	
PINS	BRASS	
TERMINAL SCREWS	STAIN. STL.	
GLAND CAP	POLYESTER	
ASSY. SCREWS	STAIN. STL.	
GLANDS	RUBBER	
CLAMPS	POLYESTER	
CLAMP NUTS	BRASS	NICKEL

DIMENSION SHEET FOR CAT. NO. **M-7669**
 SETTABLE REPAIRABLE NON-REPAIRABLE **B**
1

CAT. No.	CONFIGURATION	RATING	CAT. No.	CONFIGURATION	RATING
			M4100P12		100 AMP 125/250 VAC

1	RELEASE PER DCN 4455/024	8-22-96
SYM	REVISIONS	APP DATE

THE DESIGN AND DIMENSIONS OF THE PRODUCT SHOWN ON THIS DRAWING ARE SUBJECT TO CHANGE WITHOUT NOTICE.

NOTES-
 1. ALL DECIMAL DIM. TOLS. TO BE ± .03
 CODE 74545

TITLE
 100A 4 WIRE
 PIN & SLEEVE
 PLUG

TOLERANCES UNLESS OTHERWISE SPECIFIED	WIRING DEVICE DIVISION HARVEY HUBBELL, INC. BRIDGEPORT, CONN.	
FRACTIONS ± 1/64	DR. BY <i>[Signature]</i>	APP. BY
DECIMALS ± .005	TR. BY	SCALE 1:1
ANGLES ± 2°	CHK'D. BY	DATE 8-22-96