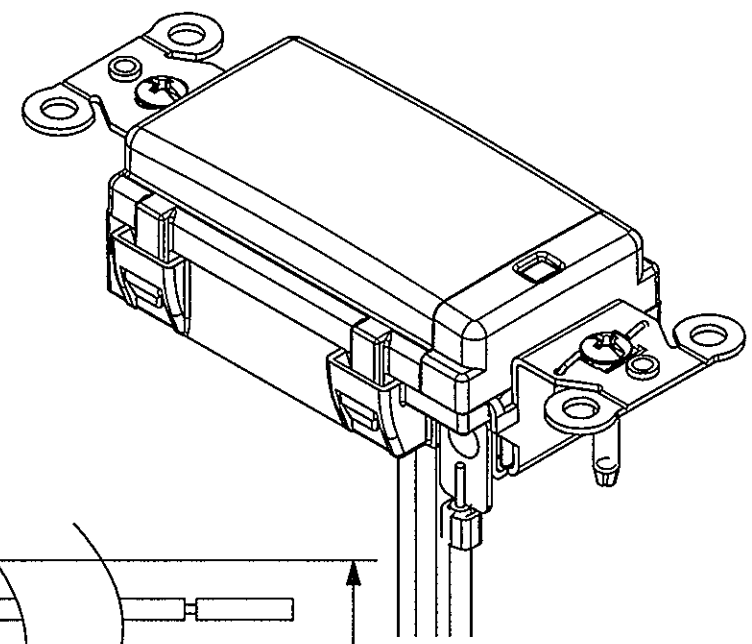
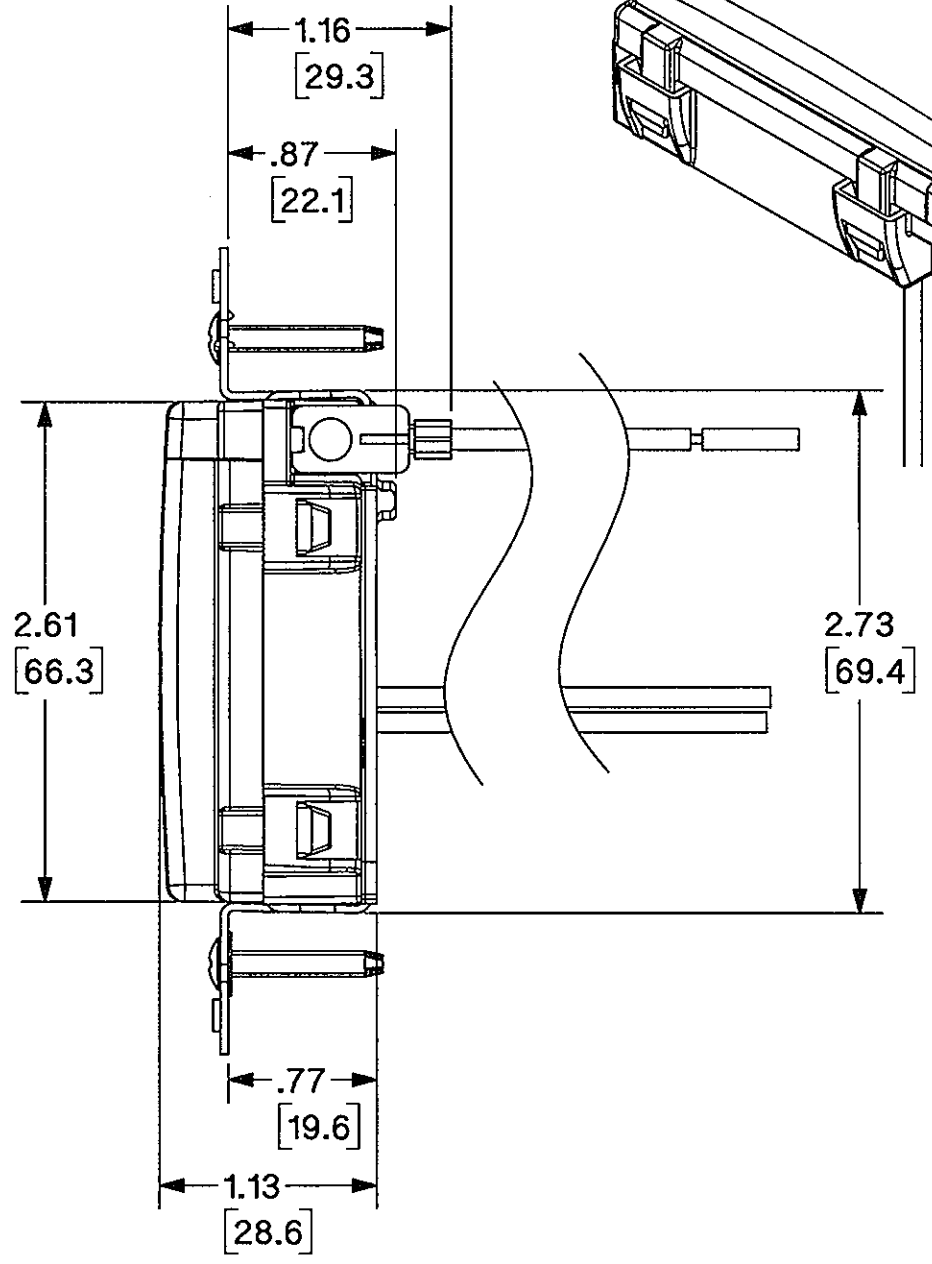
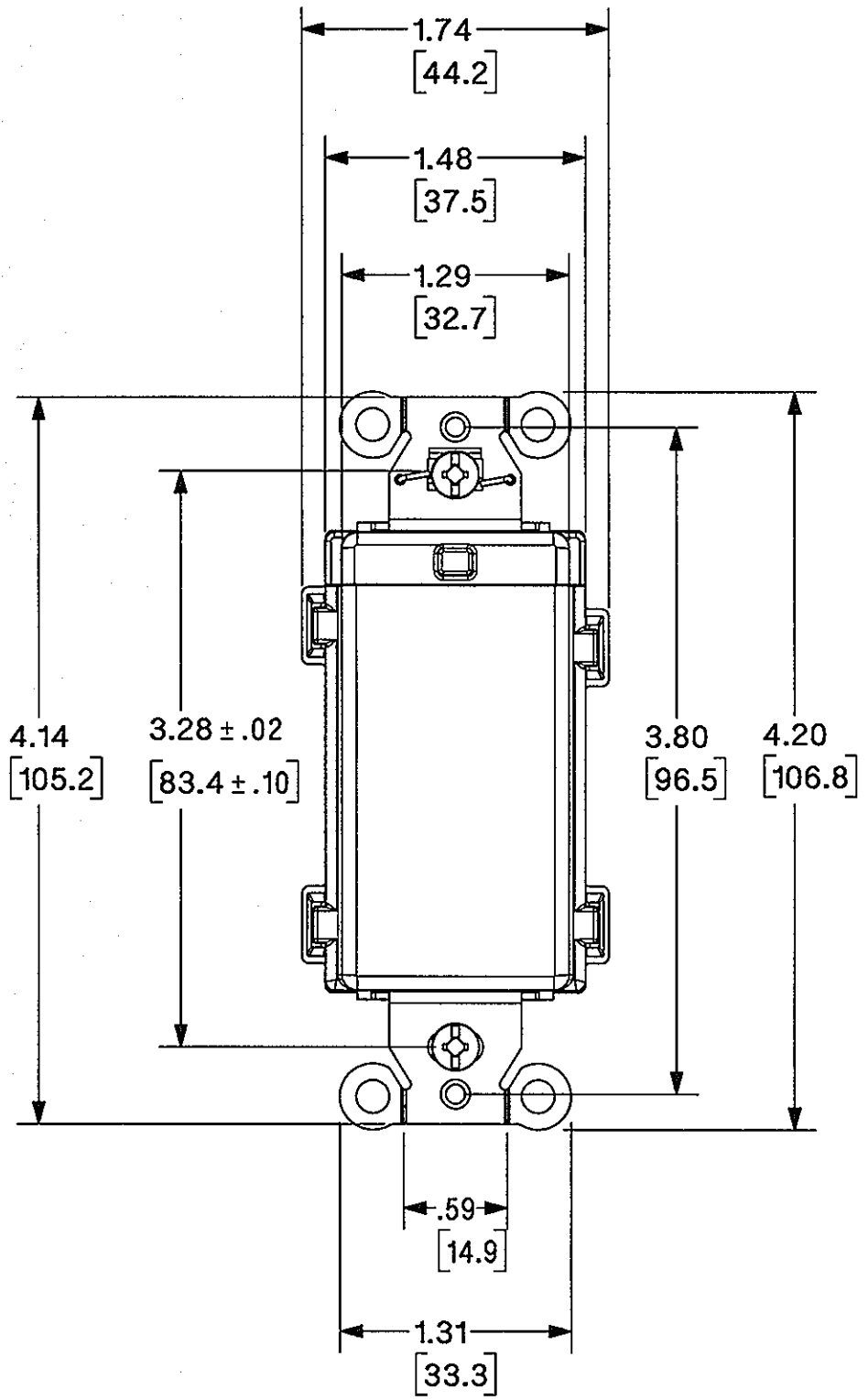


M-12247 1



- NOTES:
 (1) ALL DIMENSIONS ARE IN INCHES [mm].
 (2) GUIDELIGHT IS cULus LISTED FOR USE IN DRY LOCATIONS.
 (3) GUIDELIGHT IS RATED 125 VAC ONLY, 1 WATT MAX.
 (4) WIRE LEADS ARE A MINIMUM OF 6 INCHES (15 cm) LONG.
 HOT (BLACK) & NEUTRAL (WHITE) LEADS ARE 18 AWG STRANDED.
 GROUND (GREEN) IS 14 AWG STRANDED.
 (5) WIRE CONNECTORS ARE NOT SUPPLIED.

LIST OF PARTS		
DESCRIPTION	MATERIAL	FINISH
MOUNTING STRAP	CRS	PRE-GALVANIZED
LED LENS	PC	WHITE
PHOTOCELL COVER	PVC	SEE TABLE
PHOTOCELL LENS	PC	CLEAR
BASE	GF NYLON	BLACK
GROUND SPADE & RIVET	Cu ALLOY	NONE
GROUND STAPLE	SS	NONE
MOUNTING SCREWS	STEEL	ZINC
WASHER	PVC FILM	BLACK

DIMENSION SHEET FOR CAT. NO. SEE TABLE

REPAIRABLE NON-REPAIRABLE

1	RELEASE FOR PRODUCTION PER DCN# 20433 MAM	TLS	4/25/2014
SYM	REVISIONS	APP	DATE

THE DESIGN AND DIMENSIONS OF THE PRODUCT SHOWN ON THIS DRAWING ARE SUBJECT TO CHANGE WITHOUT NOTICE

TITLE **LED DECORATOR GUIDELIGHT**

CATALOG NUMBERS		
IVORY	LIGHT ALMOND	WHITE
DD100NLIV	DD100NLLA	DD100NLWH

TOLERANCES UNLESS OTHERWISE SPECIFIED		WIRING DEVICE-KELLEMS HUBBELL INCORPORATED SHELTON, CT	
.XX = ± .01 [.3]	.XXX = ± .005	DR. BY MAM	APP. BY TLS
ANGLES = ± 2°		TR. BY	SCALE 1:1
		CHK. BY	DATE 4/17/14