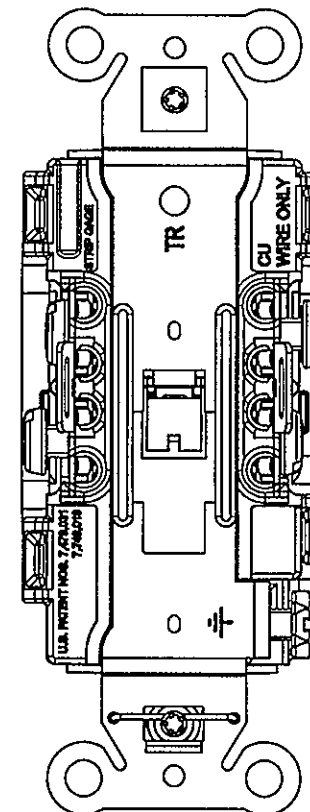
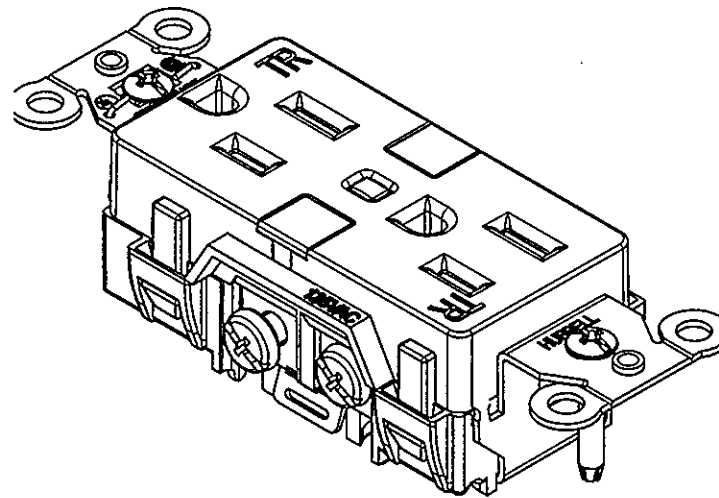
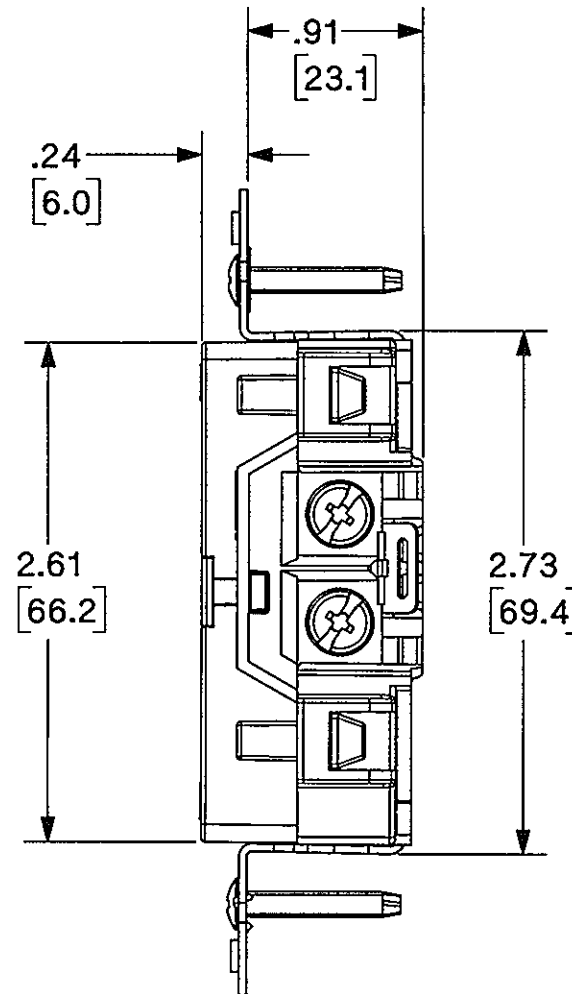
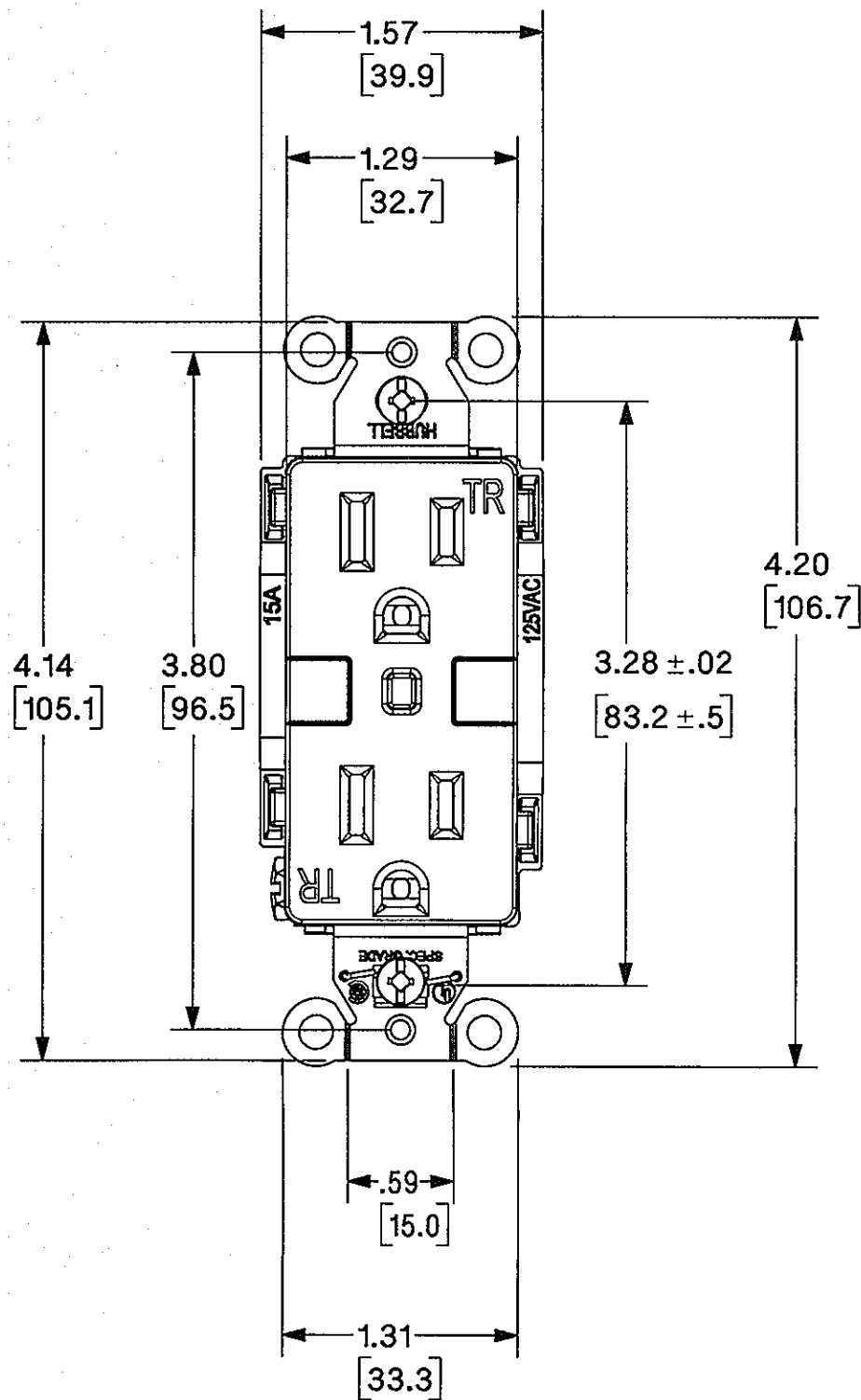


M-12246

1



NOTES:

- (1) ALL DIMENSIONS ARE IN INCHES [mm].
- (2) ALL DEVICES UL LISTED AND CSA CERTIFIED.
- (3) TERMINALS ACCOMMODATE #14-#10 AWG COPPER WIRE ONLY.
- (4) ALL DEVICES ARE RATED 15A, 125 VAC ONLY.

CATALOG NUMBERS

BROWN	IVORY	GRAY	WHITE	BLACK	ALMOND	LIGHT ALMOND	RED
DR15NLBR	DR15NLIV	DR15NLGY	DR15NLWH	DR15NLBK	DR15NLAL	DR15NLLA	DR15NLRD

LIST OF PARTS

DESCRIPTION	MATERIAL	FINISH
MOUNTING STRAP	CRS	PRE-GALVANIZED
LED LENS	PC	WHITE
RECEPTACLE FACE	NYLON	SEE TABLE
PHOTOCELL LENS	PC	CLEAR
BASE	NYLON	BLACK
LINE CONTACTS	BRASS	NONE
TERMINL SCREW (HOT)	STEEL	BRASS
TERMINAL SCREW (NEUTRAL)	STEEL	NICKEL
GROUND CONTACTS	BRASS	NONE
GROUND SCREW	STEEL	GREEN
GROUND STAPLE	SS	NONE
MOUNTING SCREWS	STEEL	ZINC
WASHER	PVC FILM	BLACK
CLAMP NUT	CRS	NICKEL

DIMENSION SHEET FOR CAT. NO.

REPAIRABLE NON-REPAIRABLE

1	RELEASE FOR PRODUCTION PER DCN# 20432 MAM/7/14/14	TLS	4/25/2014
SYM	REVISIONS	APP	DATE

THE DESIGN AND DIMENSIONS OF THE PRODUCT SHOWN ON THIS DRAWING ARE SUBJECT TO CHANGE WITHOUT NOTICE

TITLE LED GUIDELIGHT TAMPER RESISTANT RECEPTACLE

TOLERANCES UNLESS OTHERWISE SPECIFIED	WIRING DEVICE-KELLEMS HUBBELL INCORPORATED SHELTON, CT	
.XX = ±.01 [.3]	DR. BY MAM	APP. BY TLS
.XXX = ±.005	TR. BY	SCALE 1:1
ANGLES = ±2°	CHK. BY	DATE 4/22/14

B

M-12246

1