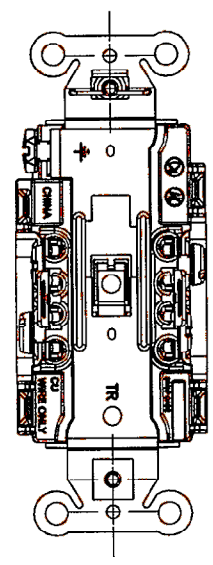
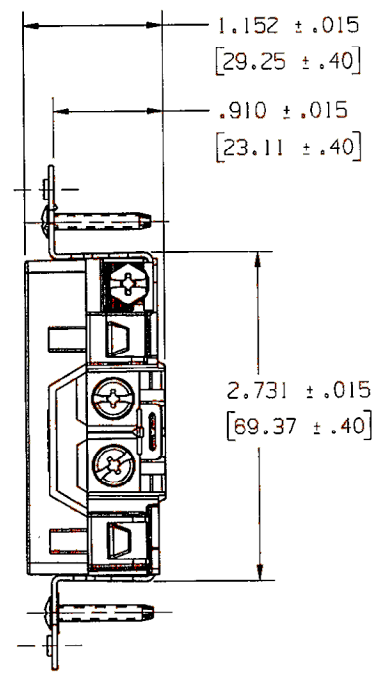
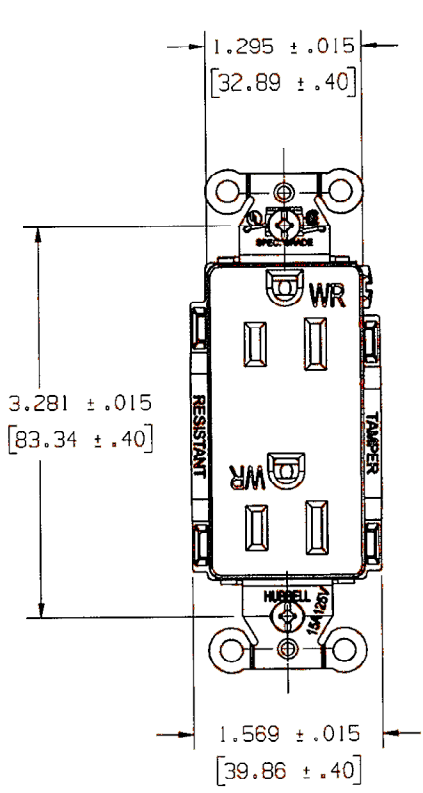


M-10856 2



NOTES:  
 1) DIMENSIONS ARE IN INCHES [mm].  
 2) ALL DEVICES UL LISTED, CSA CERTIFIED.  
 3) TERMINALS ACCOMMODATE #14-#10 AWG COPPER WIRE ONLY.

CATALOG NUMBERS											
	BROWN	IVORY	GRAY	WHITE	BLACK	ALMOND	BLUE	LIGHT ALMOND	RED	ORANGE	OFFICE WHITE
HUBBELL	DR15WRTR	DR15IWTR	DR15GRYWRTR	DR15WHWRTR	DR15BLKWRTR	DR15ALWRTR	-----	DR15LAWRTR	-----	-----	-----

LIST OF PARTS		
DESCRIPTION	MATERIAL	FINISH
TOP	NYLON 6/6	SEE TABLE
BASE	NYLON 6/6	BLACK
LINE CONTACTS	BRASS	
GROUND CONTACTS	BRASS	
CONTACT SCREW (NEU)	S.S.	
CONTACT SCREW (THO)	S.S.	
BRIDGE	.04 GALV STL	
GROUND SCREW	S.S.	GREEN
STAPLE	S.S.	
WASHER	PVC FILM	BLACK
MOUNTING SCREW	S.S.	

2	REVISED COMPONENTS PER DCN 20044 MAM	TL5	6/21/13
1	RELEASED PER DCN #14555 WRV	TL5	01/28/08
SYM	REVISIONS	APP	DATE

THE DESIGN AND DIMENSIONS OF THE PRODUCT SHOWN ON THIS DRAWING ARE SUBJECT TO CHANGE WITHOUT NOTICE

TITLE HUBBELL  
 15A 125V, 2P 3W,  
 DECORATOR WEATHER RESISTANT  
 TAMPER RESISTANT  
 DUPLEX RECEPT. BACK & SIDE WIRE

TOLERANCES UNLESS OTHERWISE SPECIFIED .XX : ± .01 .XXX : ± .005 ANGLES : ± 2°	WIRING DEVICE-KELLEMS HUBBELL INCORPORATED SHELTON, CT	
	DR. BY WRV	APP. BY
	TR. BY	SCALE 1:1
	CHK. BY	DATE 1/08

DIMENSION SHEET FOR CAT. NO. REPAIRABLE  NON-REPAIRABLE  B M-10856 2