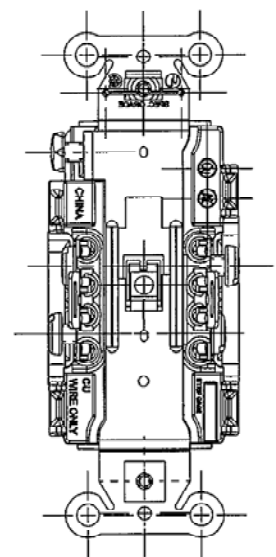
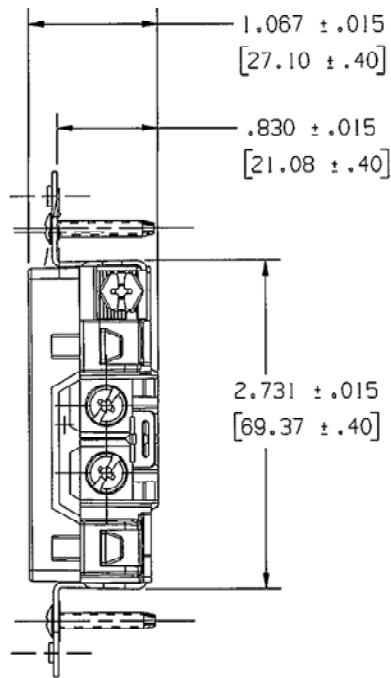
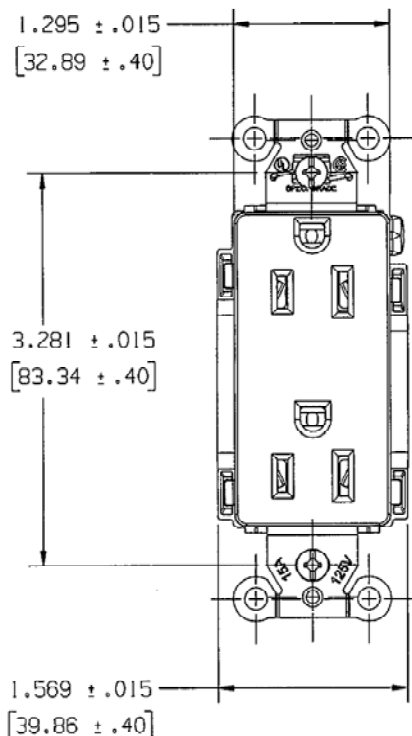


M-10527 2



NOTES:  
 1) DIMENSIONS ARE IN INCHES (MM).  
 2) ALL DEVICES UL LISTED AND CSA CERTIFIED.  
 3) TERMINALS ACCOMMODATE #14-#10 AWG COPPER WIRE ONLY.

CATALOG NUMBERS

	BROWN	IVORY	GRAY	WHITE	BLACK	ALMOND	BLUE	LIGHT ALMOND	RED	ORANGE	OFFICE WHITE
HUBBELL	DR15	DR15I	DR15GRY	DR15WHI	DR15BLK	DR15AL	DR15BL	DR15LA	DR15R	-----	DR15OW

LIST OF PARTS

DESCRIPTION	MATERIAL	FINISH
TOP	NYLON 6/6	SPI A-3
BASE	NYLON 6/6	SPI A-3
LINE CONTACTS	BRASS	
GROUND CONTACTS	BRASS	
CONTACT SCREW (NEU)	STEEL	NI PLT
CONTACT SCREW (HOT)	STEEL	
BRIDGE	.04 GALV STL	
GROUND SCREW	STEEL	GREEN
STAPLE	S.S.	
WASHER	PVC FILM	BLACK
MOUNTING SCREW	STEEL	ZINC PLT

SYM	REVISIONS	APP	DATE
2	ADDED CAT. NOS. DR15BL & DR15R TO TABLE. PER DCN 19208 DDL	DJP	11/16/12
1	RELEASED PER DCN# 14341 WRV		01/07/08

THE DESIGN AND DIMENSIONS OF THE PRODUCT SHOWN ON THIS DRAWING ARE SUBJECT TO CHANGE WITHOUT NOTICE

TITLE  
 HUBBELL  
 15A 125V, 2P 3W  
 STYLELINE DUPLEX RECEPT.  
 BACK & SIDE WIRE

TOLERANCES UNLESS OTHERWISE SPECIFIED .XX : ± .01 .XXX : ± .005 ANGLES : ± 2'	WIRING DEVICE-KELLEMS HUBBELL INCORPORATED SHELTON, CT	
	DR. BY WRV	APP. BY
	TR. BY	SCALE 1:1
	CHK. BY	DATE 3/07

DIMENSIONS ON SHEET FOR CAT. NO. M-10527  
 REPAIRABLE  NON-REPAIRABLE  B  
 2