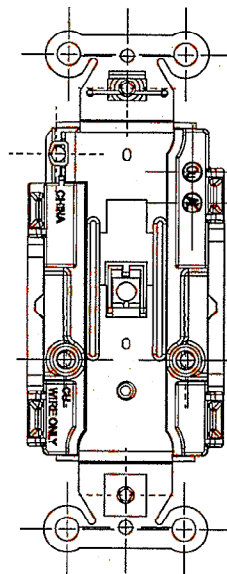
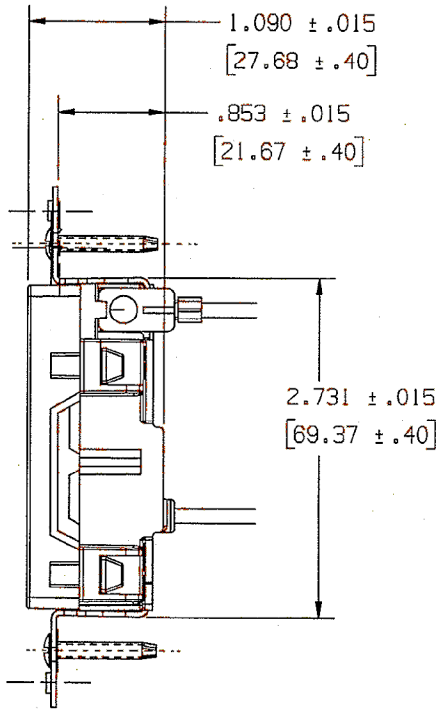
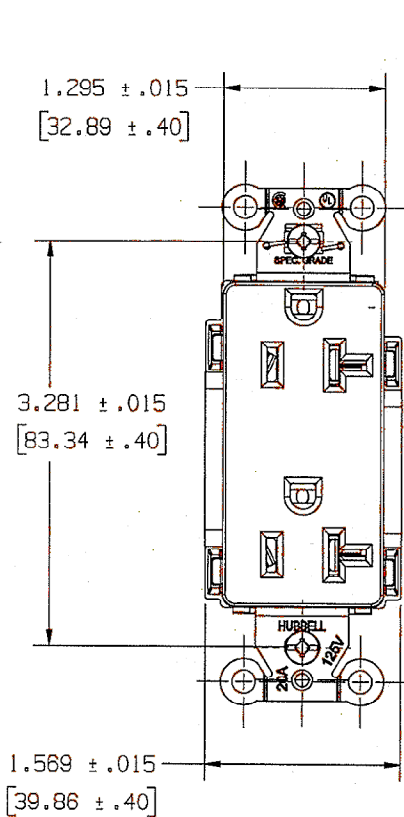


M-10955 2



- NOTES:
 1) DIMENSIONS ARE IN INCHES (MM).
 2) ALL DEVICES UL LISTED AND CSA CERTIFIED.
 3) RECEPTACLE WIRED WITH #12 AWG WIRE.

CATALOG NUMBERS

HUBBELL	BROWN	IVORY	GRAY	WHITE	BLACK	ALMOND	BLUE	LIGHT ALMOND	RED	ORANGE	OFFICE WHITE
6.5" SOLID WIRE	DR20P1	DR20IP1	DR20GRYP1	DR20WHIP1	DR20BLKP1	DR20ALP1	-----	DR20LAP1	-----	-----	-----
6.5" STRANDED WIRE	DR20P2	DR20IP2	DR20GRYP2	DR20WHIP2	DR20BLKP2	DR20ALP2	-----	DR20LAP2	-----	-----	-----

LIST OF PARTS

DESCRIPTION	MATERIAL	FINISH
TOP	NYLON 6/6	SPI A-3
BASE	NYLON 6/6	SPI A-3
LINE CONTACTS	BRASS	
GROUND CONTACTS	BRASS	
#12AWG WIRE (NEU)	CU	WHITE
#12AWG WIRE (HOT)	CU	BLACK
BRIDGE	.04 GALV STL	
#12AWG WIRE (GRD)	CU	GREEN
STAPLE	S.S.	
WASHER	PVC FILM	BLACK
MOUNTING SCREW	STEEL	SS

SYM	REVISIONS	APP	DATE
2	6.5" SOLID WIRE WAS 6.0" SOLID WIRE 6.5" STRANDED WIRE WAS 6.0" STRANDED WIRE PER DCN #16065 WRV		09/09
1	RELEASED PER DCN #14562 WRV		03/08

THE DESIGN AND DIMENSIONS OF THE PRODUCT SHOWN ON THIS DRAWING ARE SUBJECT TO CHANGE WITHOUT NOTICE

TITLE HUBBELL
 20A 125V, 2P 3W
 DECORATOR DUPLEX RECEPT.
 LEAD WIRE

TOLERANCES UNLESS OTHERWISE SPECIFIED	WIRING DEVICE-KELLEMS HUBBELL INCORPORATED BRIDGEPORT, CT	
FRACTIONS ± 1/64	DR. BY WRV	APP. BY
DECIMALS ± .005	TR. BY	SCALE 1:1
ANGLES ± 2°	CHK'D BY	DATE 3/08