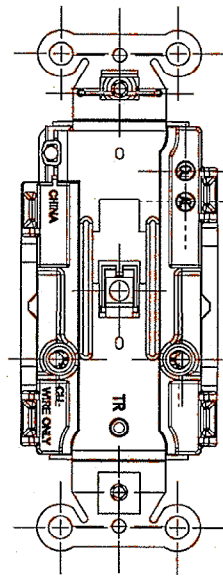
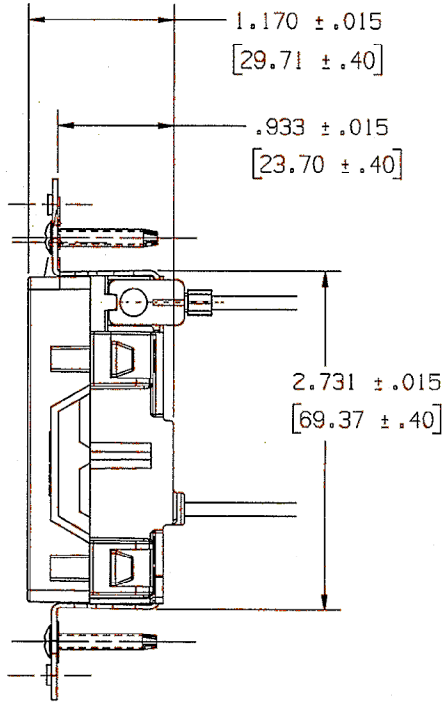
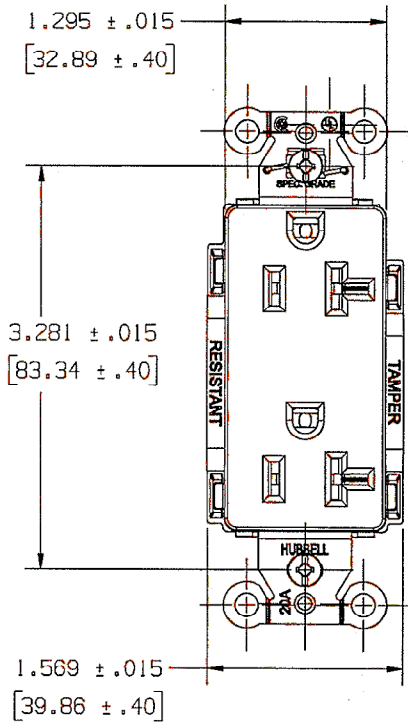


M-10959 2



NOTES:
 1) DIMENSIONS ARE IN INCHES (MM).
 2) ALL DEVICES UL LISTED AND CSA CERTIFIED.
 3) RECEPTACLE WIRED WITH #12 AWG WIRE.

CATALOG NUMBERS

HUBBELL	BROWN	IVORY	GRAY	WHITE	BLACK	ALMOND	BLUE	LIGHT ALMOND	RED	ORANGE	OFFICE WHITE
6.5" SOLID WIRE	DR20TRP1	DR201TRP1	DR206RYTRP1	DR20WH1TRP1	DR20BLKTRP1	DR20ALTRP1	-----	DR20LATRP1	-----	-----	-----
6.5" STRANDED WIRE	DR20TRP2	DR201TRP2	DR206RYTRP2	DR20WH1TRP2	DR20BLKTRP2	DR20ALTRP2	-----	DR20LATRP2	-----	-----	-----

LIST OF PARTS

DESCRIPTION	MATERIAL	FINISH
TOP	NYLON 6/6	SPI A-3
BASE	NYLON 6/6	SPI A-3
LINE CONTACTS	BRASS	
GROUND CONTACTS	BRASS	
#12AWG WIRE (NEU)	CU	WHITE
#12AWG WIRE (HOT)	CU	BLACK
BRIDGE	.04 GALV STL	
#12AWG WIRE (GRD)	CU	GREEN
STAPLE	S.S.	
WASHER	PVC FILM	BLACK
MOUNTING SCREW	STEEL	SS

2	6.5" SOLID WIRE WAS 6.0" SOLID WIRE 6.5" STRANDED WIRE WAS 6.0" STRANDED WIRE PER DCN #16065 WRV <i>WR</i>	09/09
1	RELEASED PER DCN #14562 WRV	03/08

THE DESIGN AND DIMENSIONS OF THE PRODUCT SHOWN ON THIS DRAWING ARE SUBJECT TO CHANGE WITHOUT NOTICE

TITLE HUBBELL
 20A 125V, 2P 3W
 TAMPER RESISTANT
 DECORATOR RECEPT.
 LEAD WIRE

TOLERANCES UNLESS OTHERWISE SPECIFIED	WIRING DEVICE-KELLEMS HUBBELL INCORPORATED BRIDGEPORT, CT	
FRACTIONS ± 1/64	DR. BY WRV	APP. BY
DECIMALS ± .005	TR. BY	SCALE 1:1
ANGLES ± 2'	CHK'D BY	DATE 3/08

DIMENSION SHEET FOR CAT. NO.

REPAIRABLE NON-REPAIRABLE

B

M-10959

2