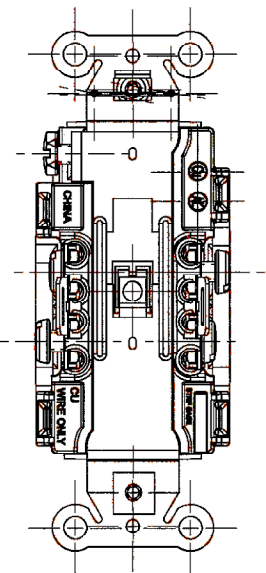
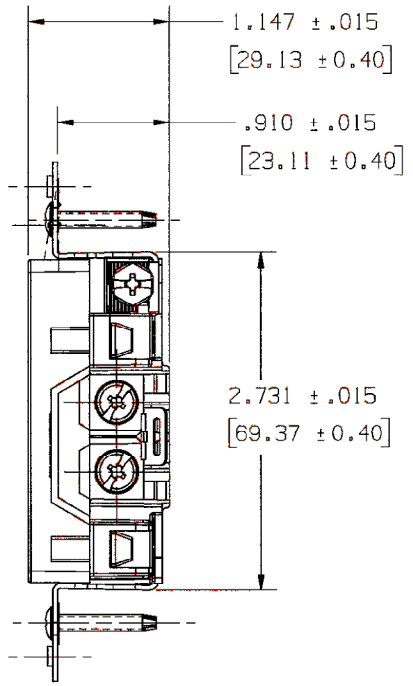
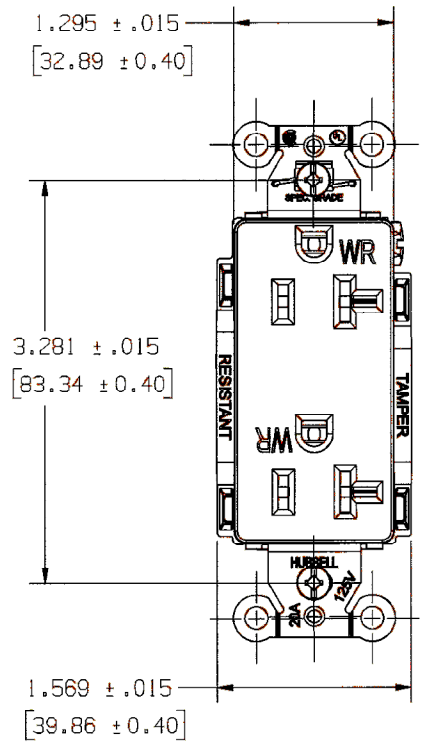


M-10858 1



NOTES:  
 1) DIMENSIONS ARE IN INCHES (MM).  
 2) ALL DEVICES UL LISTED, CSA CERTIFIED.  
 3) TERMINALS ACCOMMODATE #14-#10 AWG COPPER WIRE ONLY.

CATALOG NUMBERS											
	BROWN	IVORY	GRAY	WHITE	BLACK	ALMOND	BLUE	LIGHT ALMOND	RED	ORANGE	OFFICE WHITE
HUBBELL	DR20WRTR	DR20IWTR	DR20GRYWRTR	DR20WH1WRTR	DR20BLKWRTR	DR20ALWRTR	-----	DR20LAWRTR	-----	-----	-----

DESCRIPTION	MATERIAL	FINISH
TOP	NYLON 6/6	SPI A-3
BASE	NYLON 6/6	SPI A-3
LINE CONTACTS	BRASS	
GROUND CONTACTS	BRASS	
CONTACT SCREW (NEUT)	S.S.	
CONTACT SCREW (HOT)	S.S.	
BRIDGE	.04 GALV STL	
GROUND SCREW	S.S.	GREEN
STAPLE	S.S.	
WASHER	PVC FILM	BLACK
MOUNTING SCREW	S.S.	


1	RELEASED PER DCN #14555 WRV <i>WRV</i>	01/28/08
SYM	REVISIONS	APP DATE

THE DESIGN AND DIMENSIONS OF THE PRODUCT SHOWN ON THIS DRAWING ARE SUBJECT TO CHANGE WITHOUT NOTICE

TITLE HUBBELL  
 20A 125V, 2P 3W,  
 DECORATOR WEATHER RESISTANT  
 TAMPER RESISTANT  
 DUPLEX RECEPT. BACK & SIDE WIRE

TOLERANCES UNLESS OTHERWISE SPECIFIED	WIRING DEVICE-KELLEMS HUBBELL INCORPORATED BRIDGEPORT, CT	
FRACTIONS ± 1/64	DR. BY WRV	APP. BY
DECIMALS ± .005	TR. BY	SCALE 1:1
ANGLES ± 2°	CHK'D BY	DATE 1/08

CODE 74545

DIMENSION SHEET FOR CAT. NO.      REPAIRABLE       NON-REPAIRABLE       B      M-10858      1