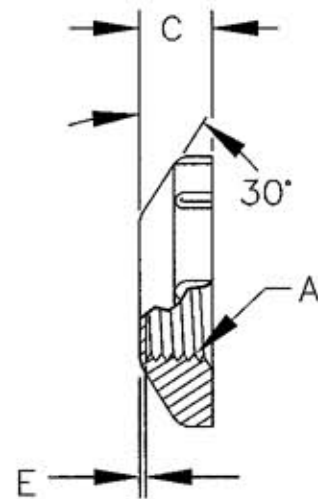
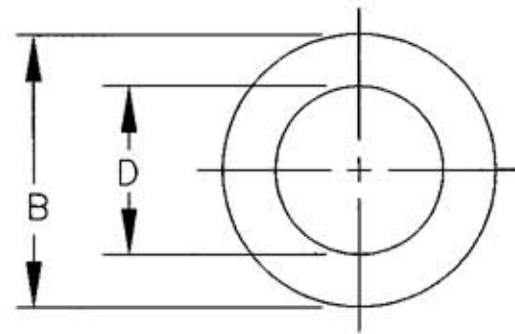


M-8782 1

HUBBELL MODEL	A	B	C	D	E	WEIGHT (OZ.)
EC08	M8x1	15.2(0.60)	5.28(0.21)	6.45(0.25)	0.38(.015)	0.2
EC12	M12x1	24.4(0.96)	6.35(0.25)	11.4(0.45)	0.51(.020)	0.3
EC18	M18x1	31.3(1.23)	8.38(0.33)	17.5(0.73)	0.76(.030)	0.4
EC30	M30x1.5	43.7(1.72)	7.62(0.30)	28.6(1.13)	0.76(.030)	0.5



UNLESS OTHERWISE SPECIFIED DIMENSIONS ARE IN mm (INCHES)

NOTES:

1. All are glass-filled Nylon, except EC-30 which is Polypropylene

CODE 74545

LIST OF PARTS

DESCRIPTION	MATERIAL	FINISH
SEE NOTE		

1	5/2/02 "X" REMOVED; LAST "X" REVISION WAS X-0. RELEASED FOR PRODUCTION PER DCN #9320. GDR MJL		MJL 5/23/02
SYM	REVISIONS	APP	DATE

THE DESIGN AND DIMENSIONS OF THE PRODUCT SHOWN ON THIS DRAWING ARE SUBJECT TO CHANGE WITHOUT NOTICE

TITLE
END NOSE CAPS FOR SHIELDED SENSORS

TOLERANCES UNLESS OTHERWISE SPECIFIED FRACTIONS ±/64 DECIMALS ±005 ANGLES ±2'	WIRING DEVICE-KELLEMS HUBBELL INCORPORATED BRIDGEPORT, CT			
	DR. BY GDR	APP. BY MJL	SCALE	NONE
	TR. BY	DATE	5/2/02	
	CHK'D BY			

DIMENSION SHEET FOR CAT. NO. M-8782
 REPAIRABLE NON-REPAIRABLE