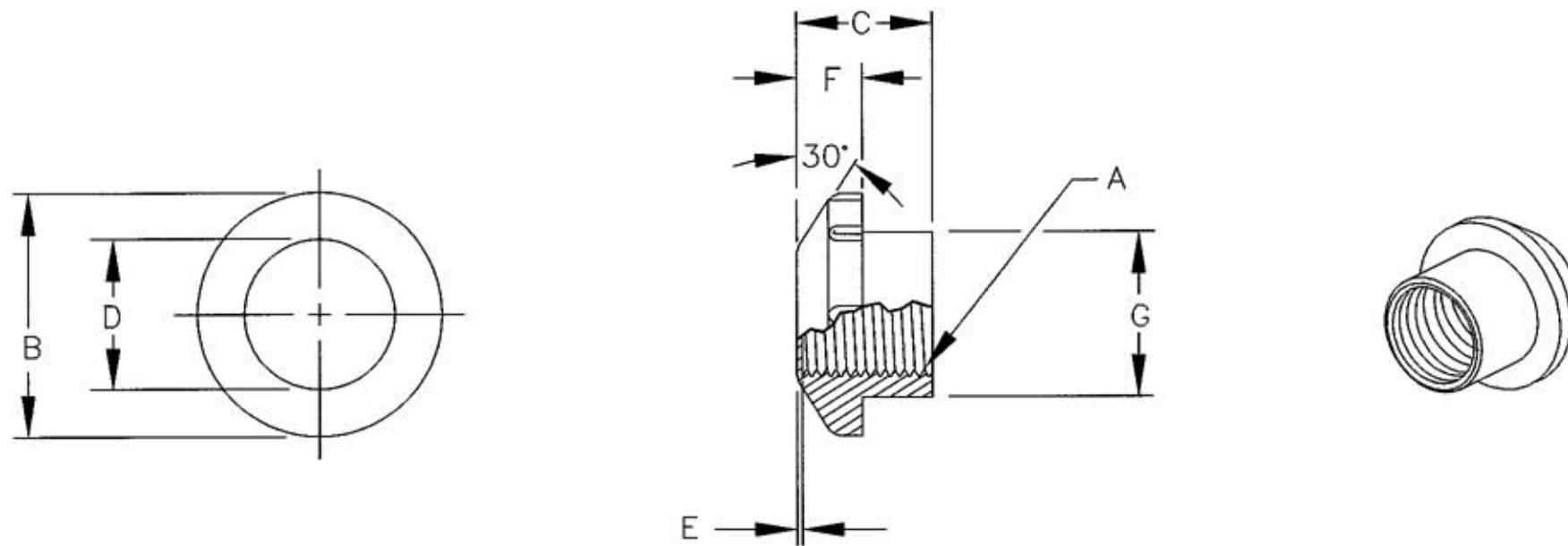


# M-8783 1

HUBBELL MODEL	A	B	C	D	E	F	G	WEIGHT (OZ.)
EC08N	M8x1	15.2(0.60)	9.50(0.37)	6.45(0.25)	0.38(.015)	5.28(0.21)	11.1(0.44)	0.25
EC12N	M12x1	24.4(0.96)	17.3(0.68)	11.4(0.45)	0.51(.020)	6.35(0.25)	14.7(0.58)	0.35
EC18N	M18x1	31.3(1.23)	17.8(0.70)	17.5(0.73)	0.76(.030)	8.38(0.33)	23.8(0.94)	0.5
EC30N	M30x1.5	43.7(1.72)	22.9(0.90)	28.6(1.13)	0.76(.030)	7.62(0.30)	38.6(1.52)	0.7



CODE 74545

UNLESS OTHERWISE SPECIFIED DIMENSIONS ARE IN mm (INCHES)

## LIST OF PARTS

DESCRIPTION	MATERIAL	FINISH
CAP	DELFIN	

DIMENSION SHEET FOR CAT. NO. M-8783  
 REPAIRABLE  NON-REPAIRABLE

1	5/2/02 "X" REMOVED; LAST "X" REVISION WAS X-0. RELEASED FOR PRODUCTION PER DCN #9320. GDR MJL	<i>MJL</i>	5/23/02
---	---	------------	---------

SYM REVISIONS APP DATE

THE DESIGN AND DIMENSIONS OF THE PRODUCT SHOWN ON THIS DRAWING ARE SUBJECT TO CHANGE WITHOUT NOTICE

TITLE  
NON-SHIELDED ENDNOZE CAPS

TOLERANCES UNLESS OTHERWISE SPECIFIED	WIRING DEVICE-KELLEMS HUBBELL INCORPORATED BRIDGEPORT, CT	
FRACTIONS ±/64	DR. BY GDR	APP. BY <i>MJL</i>
DECIMALS ±.005	TR. BY	SCALE NONE
ANGLES ±2°	CHK'D BY	DATE 5/2/02

**M-8783**

1