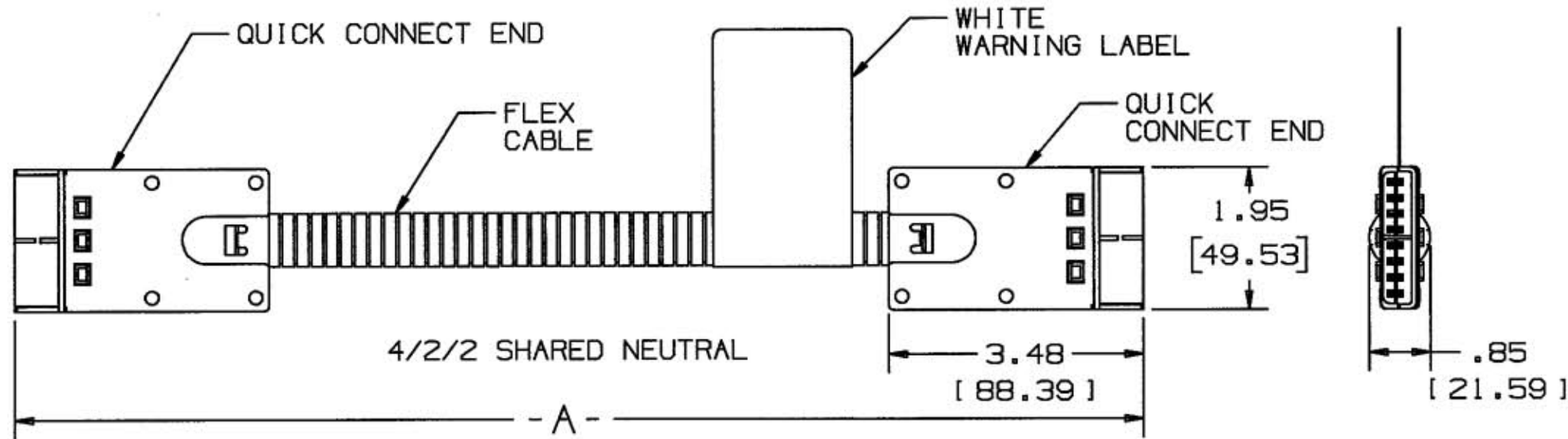
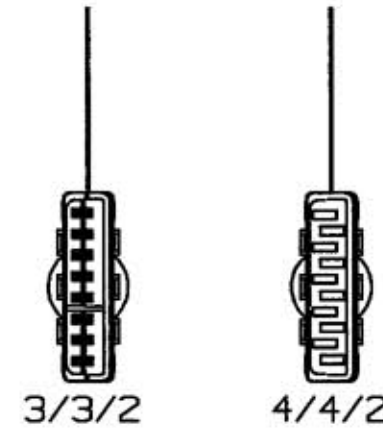
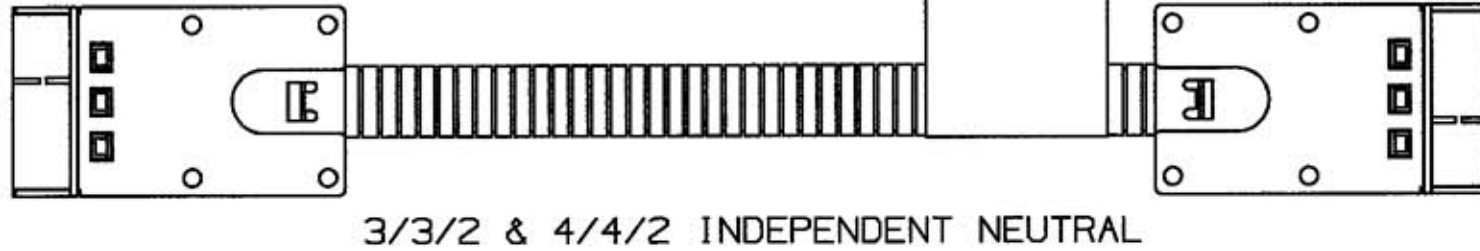


M-9050 11

3/3/2 ORANGE WARNING LABEL
4/4/2 WHITE WARNING LABEL



NOTE:

1. DIM'S. INCHES [MM].
2. PRODUCT MUST MEET UL & CSA CONSTRUCTION, PERFORMANCE, AND MARKING REQUIREMENTS.
3. EXTRA FLEX METAL CONDUIT, TYPE FMC PER NEC 348.
4. QUICK CONNECT ENDS, MALE, FEMALE, OR OPEN PER CAT. NO.
5. TWO 10 GAUGE NEUTRALS WHEN USING 4/2/2 SHARED SYSTEM.
THREE 12 GAUGE NEUTRALS WHEN USING 3/3/2 INDEPENDENT SYSTEM.
FOUR 12 GAUGE NEUTRALS WHEN USING 4/4/2 INDEPENDENT SYSTEM.
7. 4/2/2, 4/4/2 AND 3/3/2 SYSTEMS ARE KEYPED DIFFERENTLY SUCH THAT THEY CANNOT BE PLUGGED TOGETHER.
8. ALL CABLES ARE RATED FOR 120 VOLT 20 AMP SERVICE.

CATALOG NO.	CABLE LENGTH -A-	Q-CONN. ENDS	SYSTEM	CATALOG NO.	CABLE LENGTH -A-	Q-CONN. ENDS	SYSTEM
EXT42205FFB	5 FT.	F TO F	4/2/2	EXT42225FFB	25 FT.	F TO F	4/2/2
EXT42210FFB	10 FT.	F TO F	4/2/2	EXT42230FFB	30 FT.	F TO F	4/2/2
EXT42215FFB	15 FT.	F TO F	4/2/2	EXT42235FFB	35 FT.	F TO F	4/2/2
EXT42220FFB	20 FT.	F TO F	4/2/2	EXT42240FFB	40 FT.	F TO F	4/2/2
EXT33205FFB	5 FT.	F TO F	3/3/2	EXT42255FFB	55 FT.	F TO F	4/2/2
EXT33210FFB	10 FT.	F TO F	3/3/2	EXT42260FFB	60 FT.	F TO F	4/2/2
EXT33215FFB	15 FT.	F TO F	3/3/2	EXT42215MOB	15 FT.	M TO OPEN	4/2/2
EXT33220FFB	20 FT.	F TO F	3/3/2	EXT42201MOB	1 FT.	M TO OPEN	4/2/2
EXT42201FOB	1 FT.	F TO OPEN	4/2/2	EXT33225FFB	25 FT.	F TO F	3/3/2
EXT33201FOB	1 FT.	F TO OPEN	3/3/2	EXT33230FFB	30 FT.	F TO F	3/3/2
EXT42215FOB	15 FT.	F TO OPEN	4/2/2	EXT33240FFB	40 FT.	F TO F	3/3/2
EXT33215FOB	15 FT.	F TO OPEN	3/3/2	EXT33250FFB	50 FT.	F TO F	3/3/2
EXT42205MOB	5 FT.	M TO OPEN	4/2/2	EXT33260FFB	60 FT.	F TO F	3/3/2
EXT33205MOB	5 FT.	M TO OPEN	3/3/2	EXT42220FFB10G	20 FT.	F TO F	4/2/2
EXT44205FFOW	5 FT.	F TO F	4/4/2	EXT42215FFB10G	15 FT.	F TO F	4/2/2
EXT44210FFOW	10 FT.	F TO F	4/4/2				
EXT44215FFOW	15 FT.	F TO F	4/4/2				
EXT42224FFB	24 FT.	F TO F	4/2/2				
EXT33201MOB	1 FT.	M TO OPEN	3/3/2				

LIST OF PARTS

DESCRIPTION	MATERIAL	FINISH
QUICK CONN. END (2)		BLACK/ZINC PL.
FLEX CABLE	STEEL	ZINC PL.
WARNING LABEL		ORANGE
WARNING LABEL		WHITE

11	REVISED NOTE 3 PER DCN 13264 RCM	JPP	7/21/06
10	2/2/08 ADD NEW CAT. NO. EXT42215FFB10G DCN 12872 RCM	JPP	2/2/08
9	2/1/06 ADD NEW CAT. NO. EXT42220FFB10G DCN 12870 RCM	JPP	2/1/08
8	ADDED CAT NO.'S EXT33225FFB, EXT33230FFB, EXT33240FFB, EXT33250FFB, EXT33260FFB TO TABLE PER DCN #12588 RCM	JPP	9/10/05
7	ADDED EXT42201MOB TO TABLE PER DCN 12581 SPN	JPP	9/8/05
6	6-9-05 ADD NEW CAT. NO. EXT42215MOB DCN 12400 GPK	CJC	6-8-05
5	ADDED CAT NO.'S EXT42225FFB, EXT42230FFB, EXT42235FFB, EXT42240FFB, EXT42255FFB & EXT42260FFB TO TABLE PER DCN #11878 JMN	JPP	9/10/04
4	ADDED CAT NO. EXT33201MOB TO TABLE PER DCN #11841 JMN	JPP	8/25/04
3	ADDED CAT NO. EXT42224FFB TO TABLE PER DCN #11818 JMN	JPP	8/13/04
2	ADDED: 4/4/2, 5, 10 & 15 FT. F TO F PER DCN 11844 T.J.V.	TJV	4-1-04
1	INITIAL RELEASE #10812	JVD	3-18-03
SYM	REVISIONS	APP	DATE

THE DESIGN AND DIMENSIONS OF THE PRODUCT SHOWN ON THIS DRAWING ARE SUBJECT TO CHANGE WITHOUT NOTICE

TITLE
EXTENDER CABLE
3/3/2 & 4/2/2 SYSTEM

TOLERANCES UNLESS OTHERWISE SPECIFIED FRACTIONS ± 1/84 DECIMALS ± .006 ANGLES ± 2°	WIRING DEVICE-KELLEMS HUBBELL INCORPORATED BRIDGEPORT, CT		
	DR. BY	PAC	APP. BY JVD
	TR. BY		SCALE HALF
	CHK'D BY		DATE 3-18-03

DIMENSION SHEET FOR CAT. NO. SEE CHART

REPAIRABLE NON-REPAIRABLE

B

M-9050

11