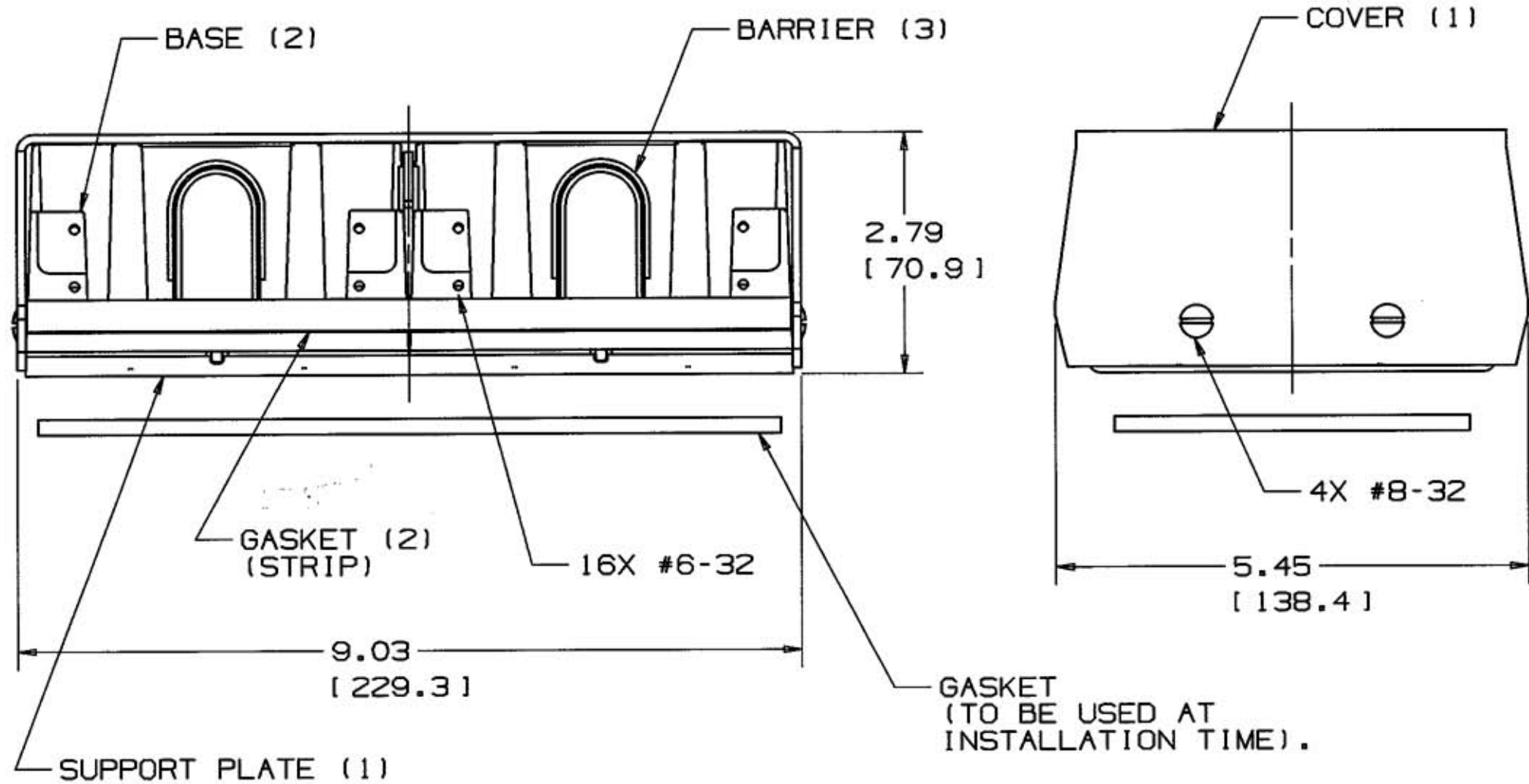


M-8853 2

LIST OF PARTS

DESCRIPTION	MATERIAL	FINISH
BASE	DIE CAST ALUM	NATURAL
BARRIER	PVC	GRAY
(2) GASKET	ELASTOMER	BLACK
COVER	.01" ALUMINUM	SEE TABLE
SUPPORT PLATE	.08" STEEL	GALVANIZED
6R SCREW #10-32 SL/PHIL.	STEEL	ZINC & GREEN
OVAL HD SCREW #8-32	SSTEEL	SEE TABLE
(2) GASKET STRIP	ELASTOMER	BLACK
GASKET	ELASTOMER	BLACK



NOTE: USE FRONT PLATES SS2309 SERIES.

CAT. NO.	COVER COLOR
FR480GYA	GRAY PAINT
FR480BKA	BLACK PAINT

SYM	REVISIONS	APP	DATE
2	REMOVED PAD, ADDED GASKET & GASKET NOTE PER DCN#10511 PAC	SM	1-6-03
1	RELEASED PER DCN9516		6-18-02

THE DESIGN AND DIMENSIONS OF THE PRODUCT SHOWN ON THIS DRAWING ARE SUBJECT TO CHANGE WITHOUT NOTICE

TITLE
 CUSTOMER DRAWING
 4 GANG
 PAINTED ALUM. PEDESTAL

TOLERANCES UNLESS OTHERWISE SPECIFIED	WIRING DEVICE-KELLEMS HUBBELL INCORPORATED BRIDGEPORT, CT	
FRACTIONS ± 1/64	DR. BY PAC	APP. BY
DECIMALS ± .005	TR. BY	SCALE
ANGLES ± 2°	CHK'D BY	DATE 6-12-02

DIMENSION SHEET FOR CAT. NO. FR480GYA & FR480BKA REPAIRABLE NON-REPAIRABLE B M-8853 2