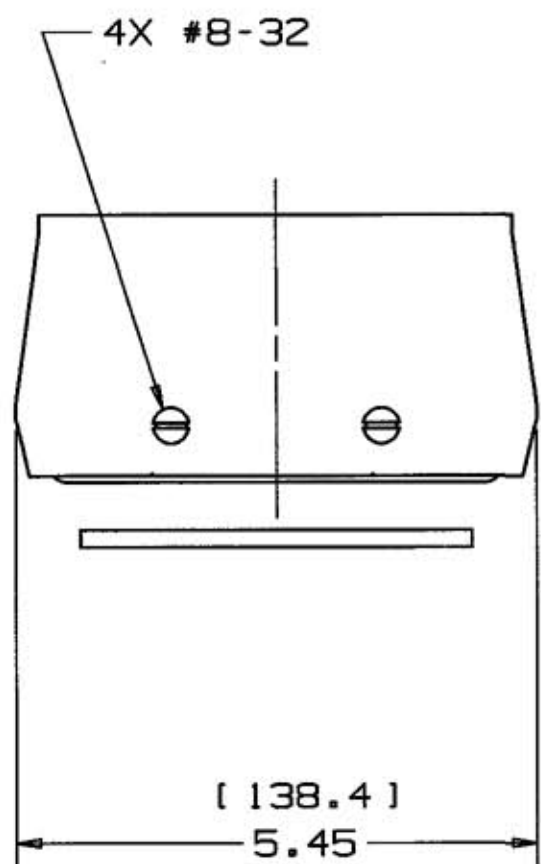
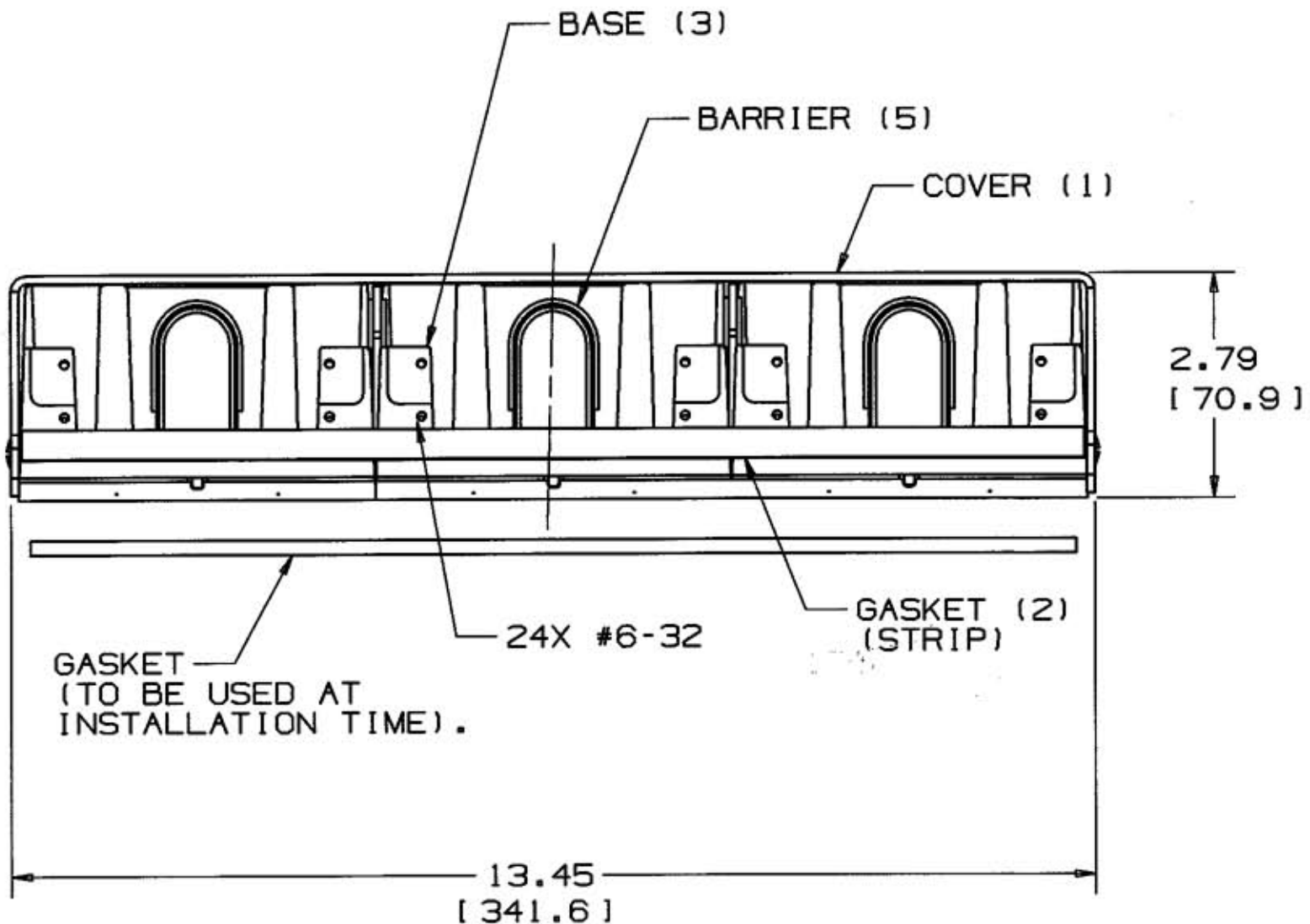


M-8854 2



LIST OF PARTS

DESCRIPTION	MATERIAL	FINISH
BASE	DIE CAST ALUM	NATURAL
BARRIER	PVC	GRAY
(3) GASKET	ELASTOMER	BLACK
COVER	.01" ALUMINUM	SEE TABLE
SUPPORT PLATE	.08" STEEL	GALVANIZED
GR SCREW #10-32 SL/PHIL.	STEEL	ZINC & GREEN
OVAL HD SCREW #8-32	SSTEEL	SEE TABLE
(2) GASKET STRIP	ELASTOMER	BLACK
GASKET	ELASTOMER	BLACK

DIMENSION SHEET FOR CAT. NO. FR680GYA & FR680BKA REPAIRABLE  NON-REPAIRABLE  B M-8854 2

SYM	REVISIONS	APP	DATE
2	REMOVED PAD (2) & ADDED GASKET AND GASKET NOTE. PER DCN#10511 PAC	SM	1-3-03
1	RELEASED PER DCN9516		6-18-02

THE DESIGN AND DIMENSIONS OF THE PRODUCT SHOWN ON THIS DRAWING ARE SUBJECT TO CHANGE WITHOUT NOTICE

TITLE CUSTOMER DRAWING  
6 GANG  
PAINTED ALUM. PEDESTALS

TOLERANCES UNLESS OTHERWISE SPECIFIED FRACTIONS ± 1/64 DECIMALS ± .005 ANGLES ± 2'	WIRING DEVICE-KELLEMS HUBBELL INCORPORATED BRIDGEPORT, CT	
	DR. BY PAC	APP. BY
	TR. BY	SCALE
	CHK'D BY	DATE 6-13-02

NOTE: USE FRONT PLATES SS2309 SERIES.

CAT. NO.	COVER COLOR
FR680GYA	GRAY PAINT
FR680BKA	BLACK PAINT