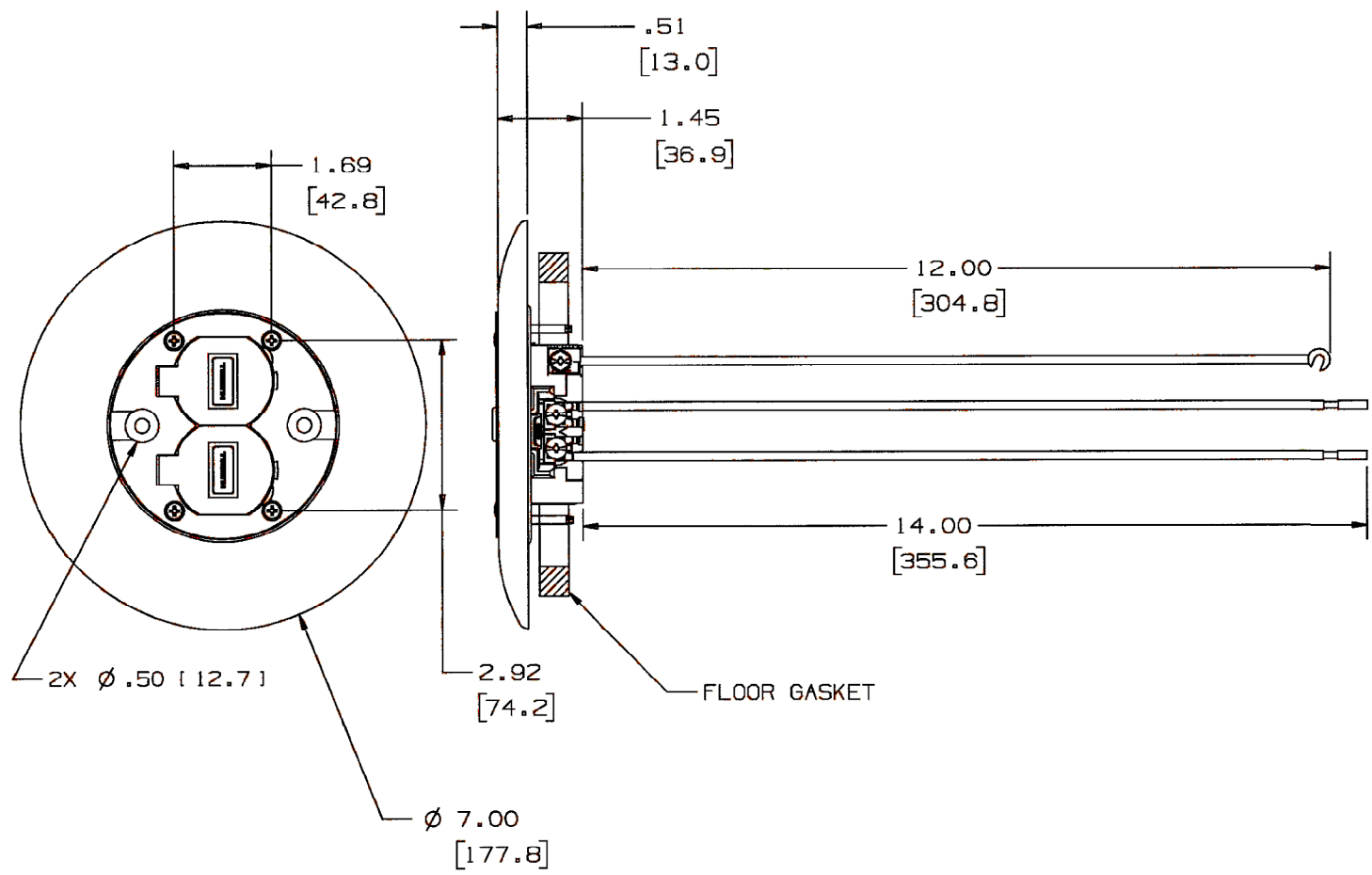


M-8841 4



NOTES: (UNLESS OTHERWISE SPECIFIED)  
 1) DIMENSIONS ARE: INCHES [MILLIMETERS]  
 2) .XX TOLERANCES TO BE ± .03

CATALOG NUMBER	RATING	COLOR
FRFBRA	20A 125V	BROWN
FRFIA	20A 125V	IVORY
FRFICNA	15A 125V	IVORY
FRFGYA	20A 125V	GRAY
FRFGYCNA	15A 125V	GRAY
FRFBLA	20A 125V	BLACK

LIST OF PARTS		
DESCRIPTION	MATERIAL	FINISH
FLAP COVER	ABS	SEE TABLE
LOWER FLAP COVER	ABS	SEE TABLE
FLAP	ABS	SEE TABLE
SPRING, FLAP	ST. STEEL	
PIN, HINGE	ST. STEEL	
FLAP GASKET	ELASTOMER	BLACK
PLUG, FLAP COVER	ABS	
CARPET FLANGE	ALUMINUM	SEE TABLE
COVER GASKET	ELASTOMER	BLACK
#12 COPPER WIRE WHITE	PVC	
#12 COPPER WIRE BLACK	PVC	
#12 COPPER WIRE GREEN	PVC	
BUSHING SNAP	NYLON	BLACK
#6 SCREW	ST. STEEL	PASSIVATED
#6 SCREW	STEEL	ZINC & PAINT
#6 SCREW	ST. STEEL	PASSIVATED
SCREW, FLAT HEAD	STEEL	ZINC
DUPLEX RECEPTACLE		
FLOOR GASKET	ELASTOMER	BLACK

4	ADDED NOTES 1 & 2. "2X Ø .50 [12.7]" WAS "1/2" DIA 2X". CHECKED "REPAIRABLE" BOX PER DCN #12944. JMN	DJP	7/13/06
3	REVISED SCREW HEADS TO PHILIPS PER DCN 10929 RCM	DVB	6-13-03
2	ADDED FLOOR GASKET DCN#10511 PAC	SM	1-3-03
1	INITIAL RELEASE DCN.9494	SM	5-29-02
SYM	REVISIONS	APP	DATE

THE DESIGN AND DIMENSIONS OF THE PRODUCT SHOWN ON THIS DRAWING ARE SUBJECT TO CHANGE WITHOUT NOTICE

TITLE  
 FITTING FOR 3" FLUSH FRPT

TOLERANCES UNLESS OTHERWISE SPECIFIED	WIRING DEVICE-KELLEMS HUBBELL INCORPORATED BRIDGEPORT, CT	
FRACTIONS ± 1/64	DR. BY TJV	APP. BY SM
DECIMALS ± .005	TR. BY	SCALE 1/2
ANGLES ± 2°	CHK'D BY SM	DATE 5-15-02

CODE 74545

DIMENSION SHEET FOR CAT. NO. SEE TABLE

REPAIRABLE  NON-REPAIRABLE

B

M-8841

4