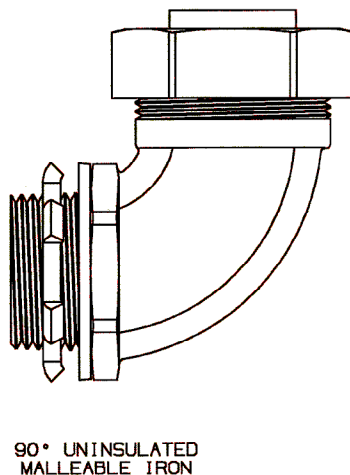
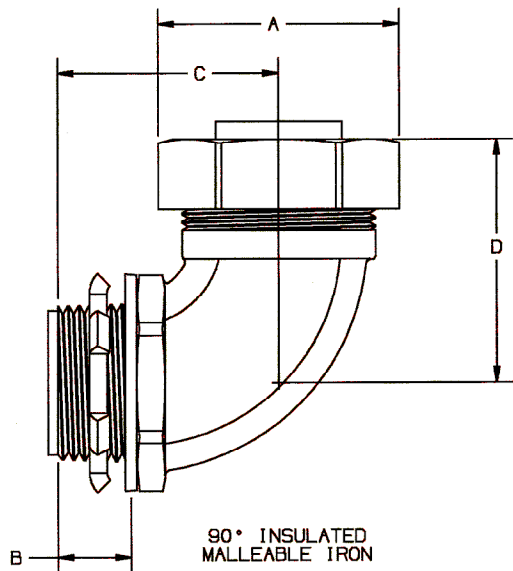


M-9878 1



INSULATED FITTING CAT. NO. *	UNINSULATED FITTING CAT. NO. *	CONDUIT SIZE	A INCHES ±.015 [mm ±0.4]	B INCHES ±.015 [mm ±0.4]	THREAD SIZE	C INCHES ±.015 [mm ±0.4]	D INCHES ±.015 [mm ±0.4]
H03891	H0389	3/8"	1.062 [26.988]	.594 [15.081]	1/2"-14 NPT	1.312 [33.338]	1.437 [36.513]
H05091	H0509	1/2"	1.188 [30.163]	.594 [15.081]	1/2"-14 NPT	1.312 [33.338]	1.437 [36.513]
H07591	H0759	3/4"	1.453 [36.909]	.594 [15.081]	3/4"-14 NPT	1.437 [36.513]	1.625 [41.275]
H10091	H1009	1"	1.719 [43.656]	.656 [16.669]	1"-11-1/2 NPT	1.781 [58.738]	2.187 [55.563]
H12591	H1259	1-1/4"	2.187 [55.563]	.625 [15.875]	1-1/4"-11-1/2 NPT	1.969 [50.006]	2.500 [63.500]
H15091	H1509	1-1/2"	2.500 [63.500]	.625 [15.875]	1-1/2"-11-1/2 NPT	2.187 [55.563]	2.687 [68.263]
H20091	H2009	2"	3.000 [76.200]	.656 [16.669]	2"-11-1/2 NPT	2.531 [64.294]	3.250 [82.550]
H25091	H2509	2-1/2"	3.625 [92.075]	1.000 [25.400]	2-1/2"-8 NPT	3.375 [85.725]	4.250 [107.950]
H30091	H3009	3"	4.312 [109.538]	1.000 [25.400]	3"-8 NPT	3.687 [93.663]	4.875 [123.825]
H40091	H4009	4"	5.312 [134.938]	1.000 [25.400]	4"-8 NPT	4.187 [106.363]	5.625 [142.875]

* FOR USE WITH FLEXIBLE METALLIC & NONMETALLIC LIQUID-TIGHT CONDUIT

A = NUT FLATS
 B = THREAD LENGTH & THREAD SPEC.
 C = THREAD TO BEND
 D = NUT TO BEND

CODE 74546

LIST OF PARTS

DESCRIPTION	MATERIAL	FINISH
BODY	IRON	ZINC PLATE
COMPRESSION NUT:		
3/8"-1" T.S.	STEEL	ZINC PLATE
1-1/4"-4" T.S.	IRON	ZINC PLATE
FERRULE	STEEL	ZINC PLATE
SPLIT SEAL RING	NYLON	YELLOW
SEALING WASHER	NYLON	YELLOW
INSULATOR	NYLON	YELLOW
LOCKNUT	STEEL	ZINC PLATE

1	RELEASED PER DCN 12598 RCM	CJC	10/18/05
SYM	REVISIONS	APP	DATE

THE DESIGN AND DIMENSIONS OF THE
 PRODUCT SHOWN ON THIS DRAWING ARE
 SUBJECT TO CHANGE WITHOUT NOTICE

TITLE
 90° FLEXIBLE METALLIC
 CONDUIT FITTINGS

TOLERANCES UNLESS OTHERWISE SPECIFIED	WIRING DEVICE-KELLEMS HUBBELL INCORPORATED BRIDGEPORT, CT	
	FRACTIONS ± 1/64	DR. BY RCM APP. BY CJC
	DECIMALS ± .005	TR. BY SCALE NONE
	ANGLES ± 2°	CHK'D BY CJC DATE 10/18/05

DIMENSION SHEET FOR CAT. NO. M-9878
 SEE TABLE
 REPAIRABLE NON-REPAIRABLE
 B
 M-9878
 1