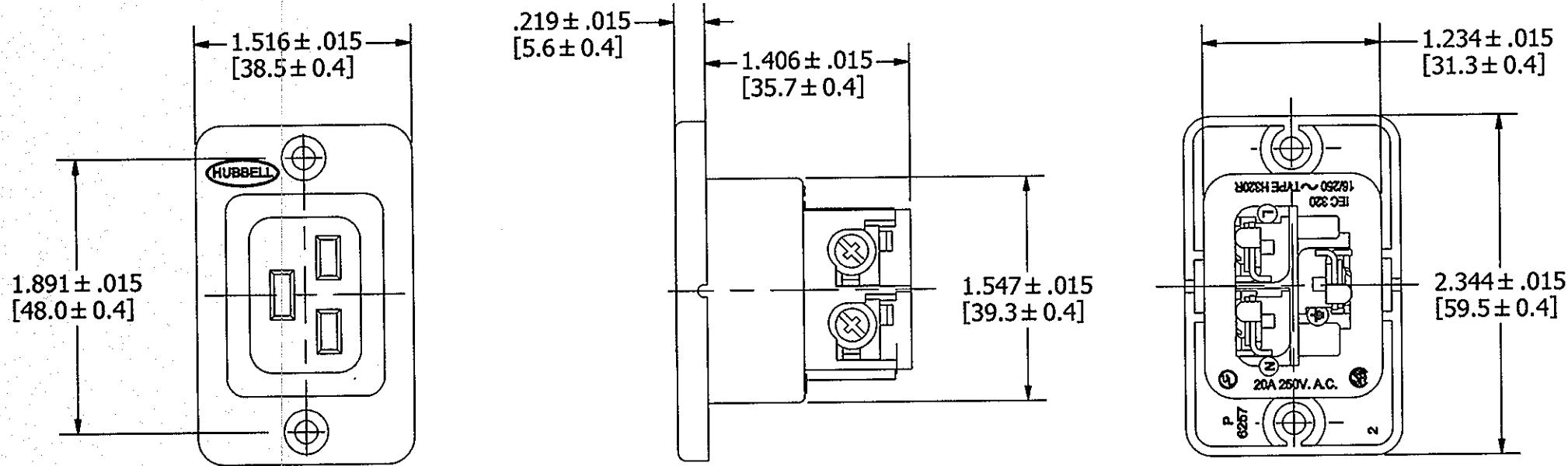
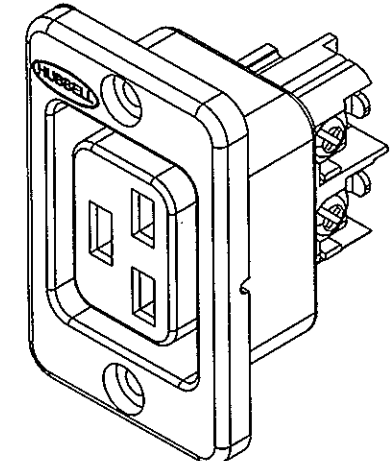


M-6799

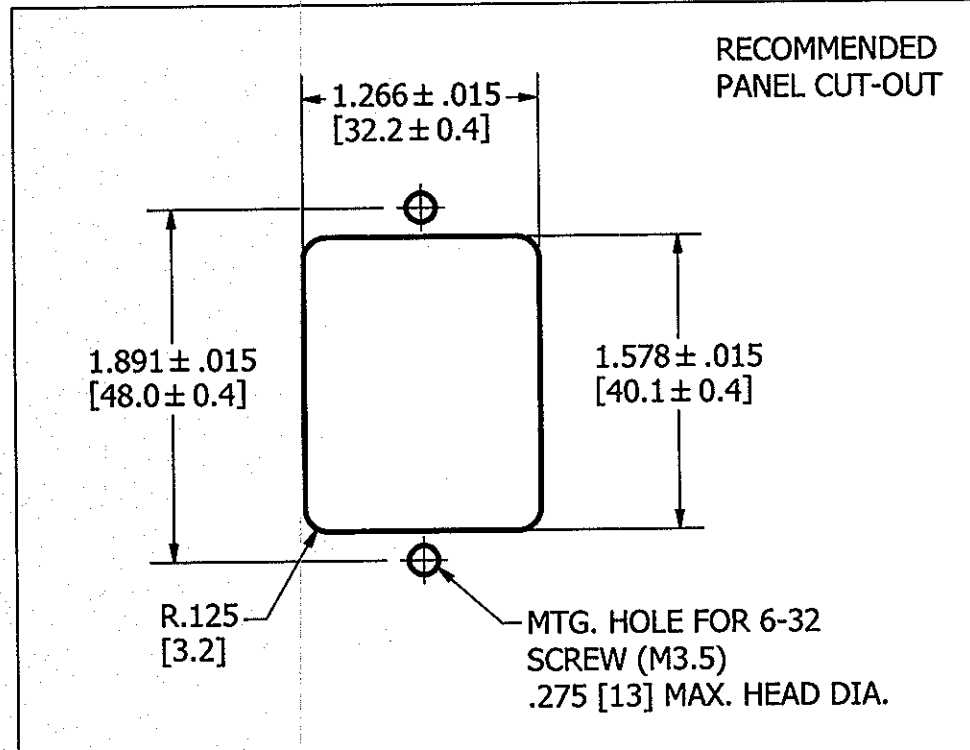
5



LIST OF PARTS		
DESCRIPTION	MATERIAL	FINISH
HOUSING	POLYESTER	BLACK
CONTACT SPRING	BRASS	
WIRE CLAMP NUT	STEEL	NICKEL PL.
BINDING SCREW	STAIN. ST.	BLACK
GR. BINDING SCR.	STAIN. ST.	GREEN



CATALOG NO. H320R (NOT SHOWN TO SCALE)



CATALOG NUMBER	DESCRIPTION
H320R	RECEPTACLE IEC 320 COMPATIBLE
H320RRT	FOR RING TERMINAL CONNECTION
H320RM1	BULK PACK OF 100

TERMINAL ACCOMODATION:
 NORTH AMERICAN
 #16 AWG-#12 AWG
 INTERNATIONAL
 1.5 mm²-2.5 mm²

NOTE:
 1. H320RRT FOR USE WITH RING TERMINALS OR SIDE WIRED, DOES NOT CONTAIN WIRE CLAMPING NUTS; CSA CERTIFIED AND UL RECOGNIZED

5	REDRAWN WITH EMBEDDED CAD MODEL WITH NO CHANGES TO PART GEOMETRY. PER DCN 21895 SPN	DJP	2/5/16
REV	DESCRIPTION	APP	DATE

THE DESIGN AND DIMENSIONS OF THE PRODUCT SHOWN ON THIS DRAWING ARE SUBJECT TO CHANGE WITHOUT NOTICE

TITLE
 20/16A 250 V.A.C. 3W
 I.E.C. STRAIGHT BLADE OUTLET

TOLERANCES UNLESS OTHERWISE SPECIFIED			
.XX = ± .01	WIRING DEVICE-KELLEMS HUBBELL INCORPORATED SHELTON, CT		
.XXX = ± .005	DR. BY	AJL	APP. BY
ANGLES = ± 2'	TR. BY		SCALE 1:1
	CHK. BY		DATE 06-13-89

DIMENSION SHEET FOR CAT. NO. M-6799
 REPAIRABLE NON-REPAIRABLE
 SEE TABLE
 B
 5