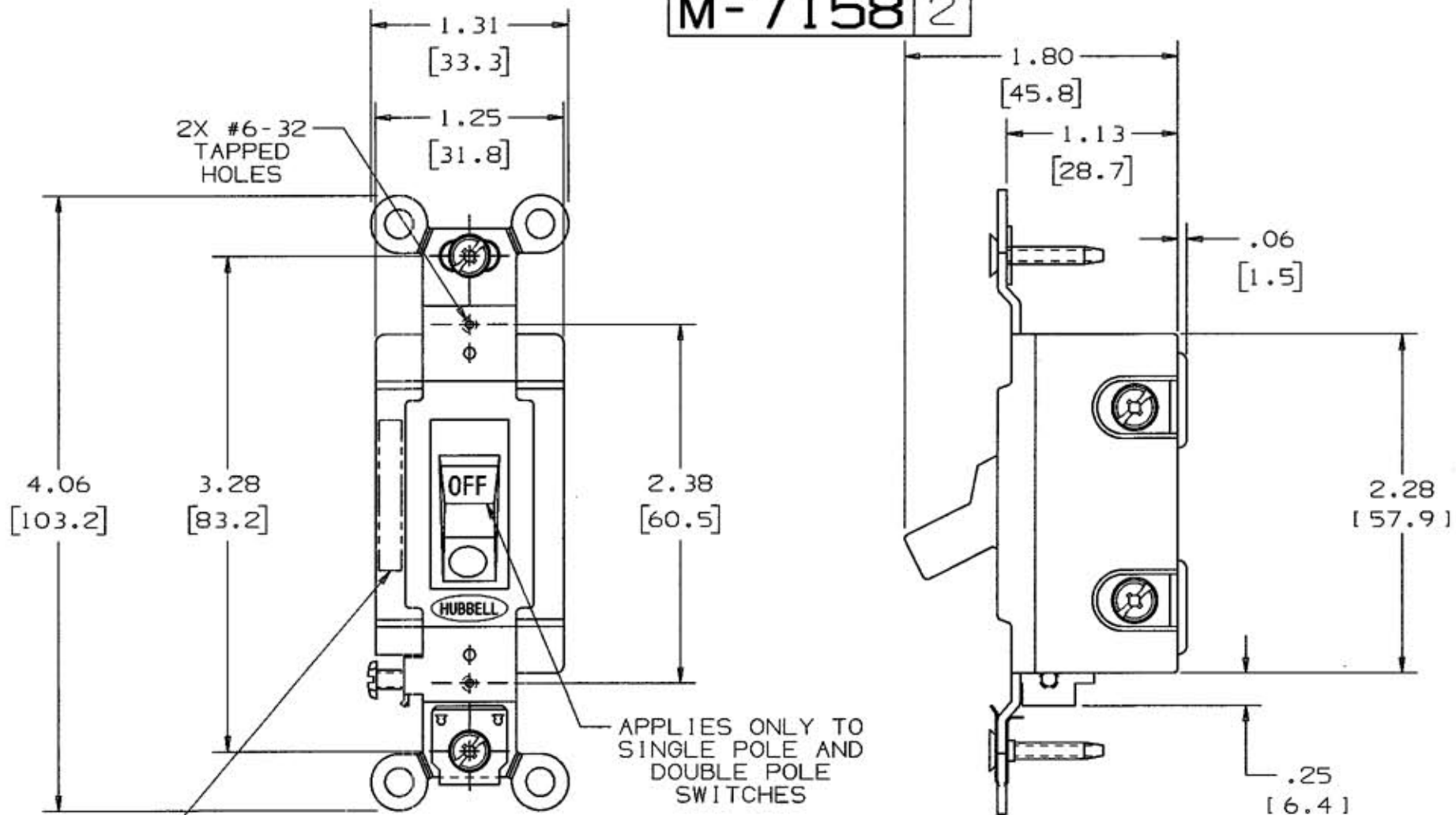
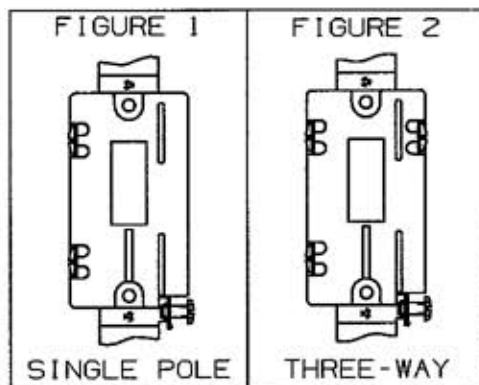


M-7158 2



ALL SWITCHES LISTED BELOW ARE MARKED "LIGHTED" IN AREA SHOWN

BACK VIEW FIGURES



CATALOG NO.	TOGGLE COLOR / MATERIAL	RATING/TYPE	BACK VIEW FIGURE
HBL1201IL	IVORY/NYLON	15A 120-277VAC S.P.	1
HBL1203IL	IVORY/NYLON	15A 120-277VAC 3W	2
HBL1221IL	IVORY/NYLON	20A 120-277VAC S.P.	1
HBL1221ILC	CLEAR/POLYCARBONATE	20A 120-277VAC S.P.	1
HBL1223IL	IVORY/NYLON	20A 120-277VAC 3W	2
HBL1223ILC	CLEAR/POLYCARBONATE	20A 120-277VAC 3W	2

NOTES: (UNLESS OTHERWISE SPECIFIED)

1) DIMENSIONS ARE: INCHES [MM]

2) XX TOLERANCE TO BE ±.03 [0.76]

LIST OF PARTS

DESCRIPTION	MATERIAL	FINISH
HOUSING	UREA	
COVER	UREA	
TOGGLE	SEE TABLE	
STATIONARY TERMINAL	.031 BRASS	
SPRING ARM TERMINAL	.031 BRASS	
WIRE CLAMP	.060 STEEL	TIN PLATE
BRIDGE	.050 STEEL	NICKEL PLATE
CONTACTS	SILVER/CADMIUM OXIDE	
BINDING SCREWS	BRASS	
MOUNTING SCREWS	STEEL	ZINC PLATE
LAMP	NEON	

DIMENSION SHEET FOR CAT. NO. SEE TABLE

REPAIRABLE NON-REPAIRABLE

2	ADDED NOTES 1 & 2 AND DUAL DIMENSIONING. DECIMAL DIMENSIONS WERE FRACTIONAL; TRI-DRIVE SCREWS WERE SLOTTED PER DCN #13355. JMN	DJP	12/4/08
1	"X" REMOVED; LAST X-REVISION WAS X-0 PER DCN # 2123. JMN	CJC	8/26/93
SYM	REVISIONS	APP	DATE

THE DESIGN AND DIMENSIONS OF THE PRODUCT SHOWN ON THIS DRAWING ARE SUBJECT TO CHANGE WITHOUT NOTICE

TITLE
FLUSH A.C. TOGGLE SWITCH ILLUMINATED TYPE

TOLERANCES UNLESS OTHERWISE SPECIFIED	WIRING DEVICE-KELLEMS HUBBELL INCORPORATED BRIDGEPORT, CT	
FRACTIONS ± 1/64	DR. BY JMN	APP. BY DJP
DECIMALS ± .005	TR. BY	SCALE
ANGLES ± 2°	CHK'D BY DJP	DATE 8/26/93

B M-7158