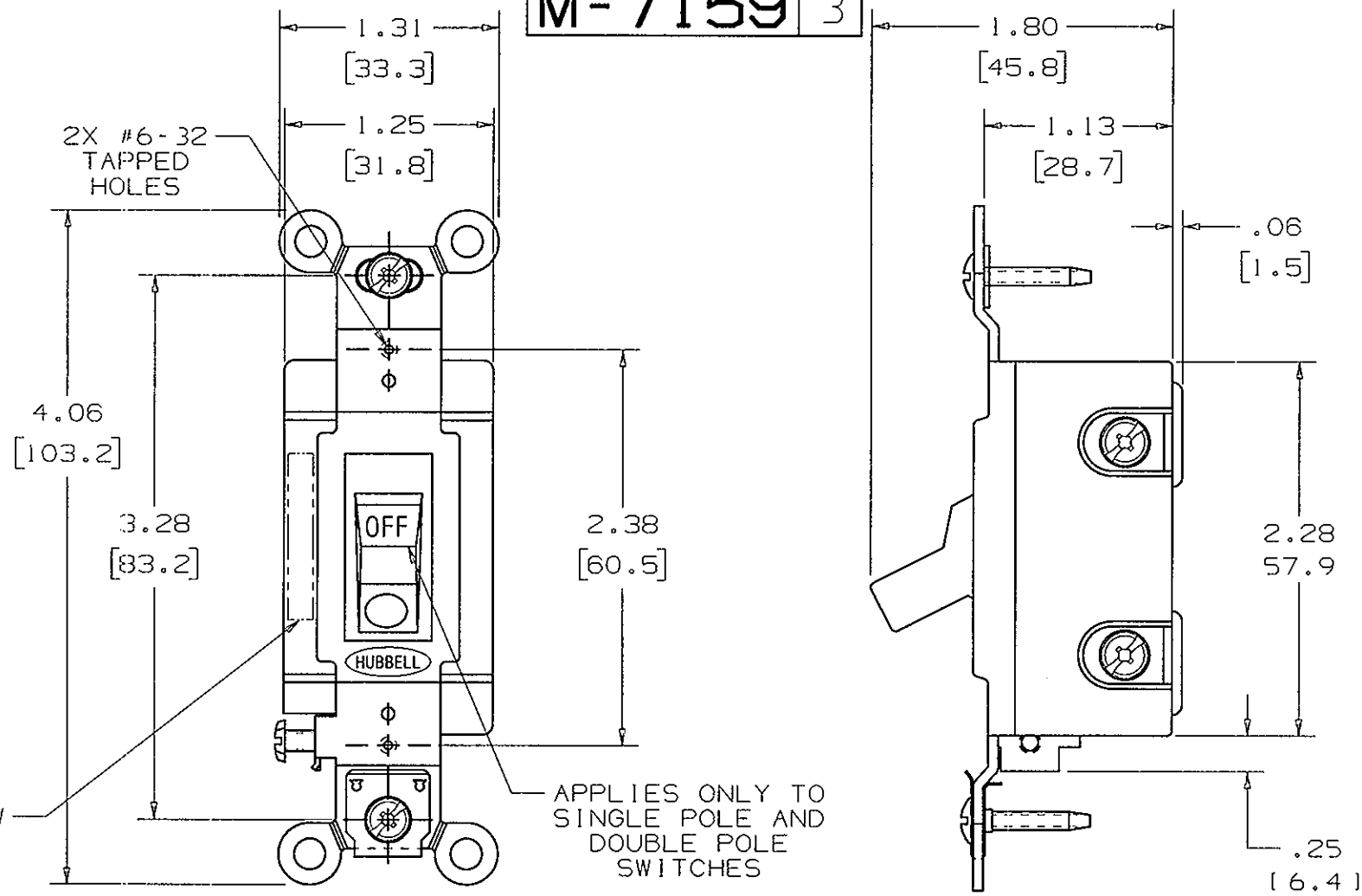


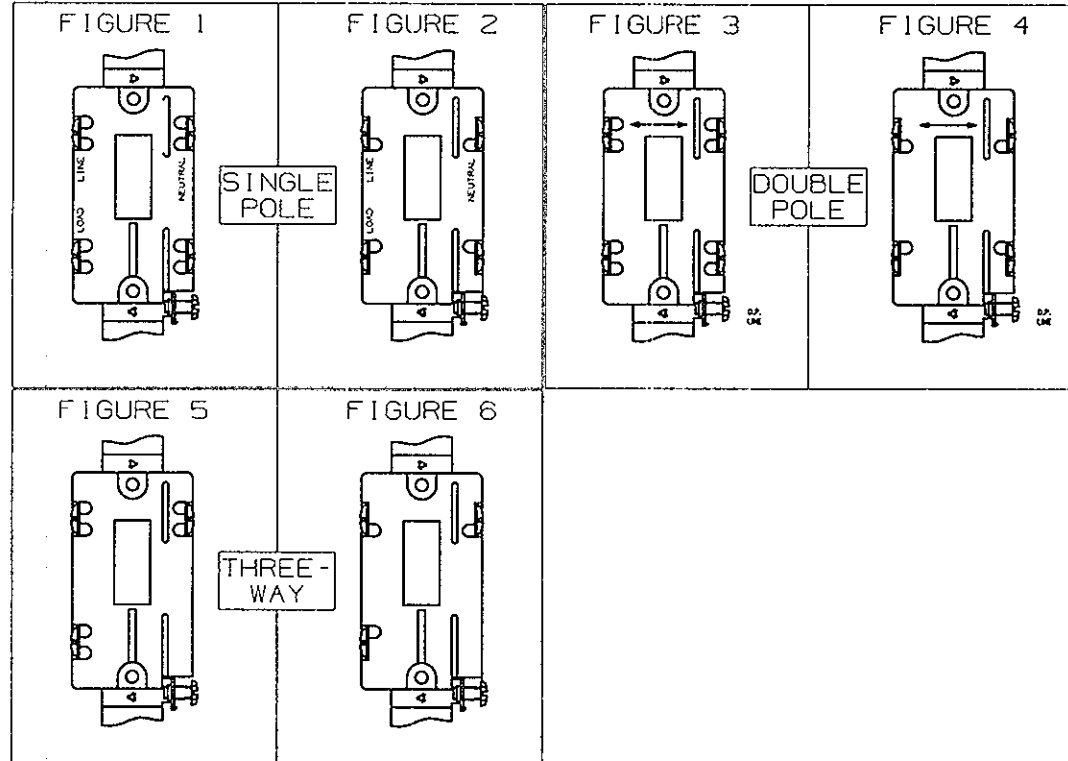
**M-7159** 3



ALL SWITCHES LISTED BELOW ARE MARKED "PILOT" IN AREA SHOWN

APPLIES ONLY TO SINGLE POLE AND DOUBLE POLE SWITCHES

BACK VIEW FIGURES



CATALOG NO.	TRANSPARENT TOGGLE COLOR	RATING/TYPE	BACK VIEW FIGURE
HBL1201PL	RED	15A 120-277VAC S.P.	1
HBL1221PL	RED	20A 120-277VAC S.P.	1
HBL1221PLC	CLEAR	20A 120-277VAC S.P.	1
HBL1221PLG	GREEN	20A 120-277VAC S.P.	1
HBL1222PL	RED	20A 120-277VAC D.P.	3
HBL3031PL	RED	30A 120-277VAC S.P.	2
HBL3032PL	RED	30A 120-277VAC D.P.	4
HBL1203PL	RED	15A 120-277VAC 3W	5
HBL1223PL	RED	20A 120-277VAC 3W	6
HBL1223PLC	CLEAR	20A 120-277VAC 3W	6

NOTES: (UNLESS OTHERWISE SPECIFIED)  
 1) DIMENSIONS ARE: INCHES (MM)  
 2) XX TOLERANCE TO BE ±.03 (0.76)

LIST OF PARTS		
DESCRIPTION	MATERIAL	FINISH
HOUSING	UREA	
COVER	UREA	
TOGGLE	POLYCARBONATE	
STATIONARY TERMINAL	.031 BRASS	
SPRING ARM TERMINAL	.031 BRASS	
WIRE CLAMP	.062 STEEL	TIN PLATE
BRIDGE	.050 STEEL	NICKEL PLATE
CONTACTS	SILVER/CADMIUM OXIDE	
BINDING SCREWS	BRASS	
MOUNTING SCREWS	STEEL	ZINC PLATE
LAMP	LED	

SYMBOL	REVISIONS	APP	DATE
3	"LED" WAS "NEON" IN THE MATERIAL COLUMN OF LIST OF PARTS PER DCN #18790.	DL	4/18/12
2	ADDED NOTES 1 & 2 AND DUAL DIMENSIONING. IN TABLE, REMOVED CAT. NO.'S HBL1221PL7, HBL1221PLC7, & HBL1222PL7 AND ADDED CAT. NO.'S HBL1203PL, HBL1223PL, & HBL1223PLC. ADDED FIGURES 5 & 6 TO BACK VIEW FIGURES. DECIMAL DIMENSIONS WERE FRACTIONAL; TRI-DRIVE SCREWS WERE SLOTTED PER DCN #13355. JMN	DJF	12/5/06
1	"X" REMOVED; LAST X-REVISION WAS X-0 PER DCN # 2123. JMN	CJC	8/26/93

THE DESIGN AND DIMENSIONS OF THE PRODUCT SHOWN ON THIS DRAWING ARE SUBJECT TO CHANGE WITHOUT NOTICE			
---	--	--	--

TITLE  
 FLUSH A.C. TOGGLE SWITCH  
 PILOT TYPE

TOLERANCES UNLESS OTHERWISE SPECIFIED	WIRING DEVICE-KELLEMS HUBBELL INCORPORATED BRIDGEPORT, CT		
FRACTIONS ±1/64	DR. BY JMN	APP. BY CJC	
DECIMALS ±.005	TR. BY	SCALE	
ANGLES ±2°	CHK'D BY DJF	DATE 8/26/93	

DIMENSION SHEET FOR CAT. NO. M-7159  
 REPAIRABLE  NON-REPAIRABLE  SEE TABLE