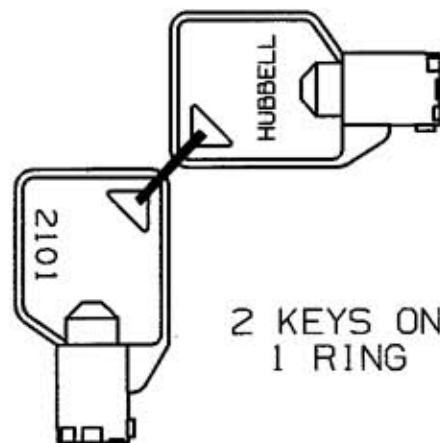


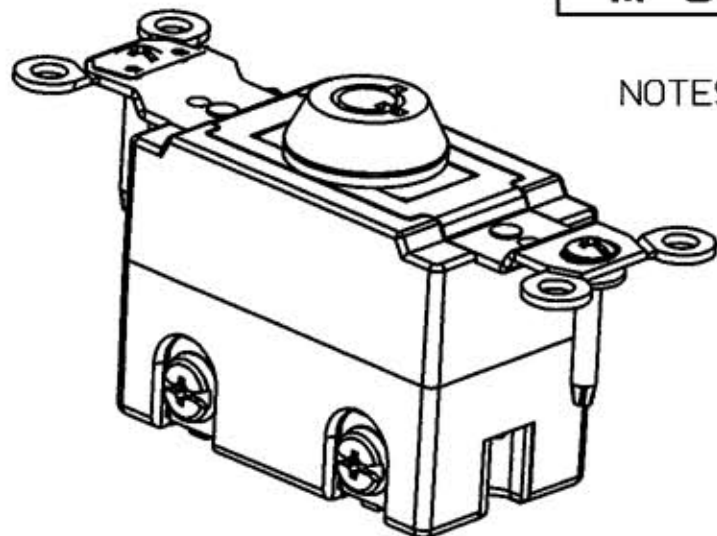
M-8991

1

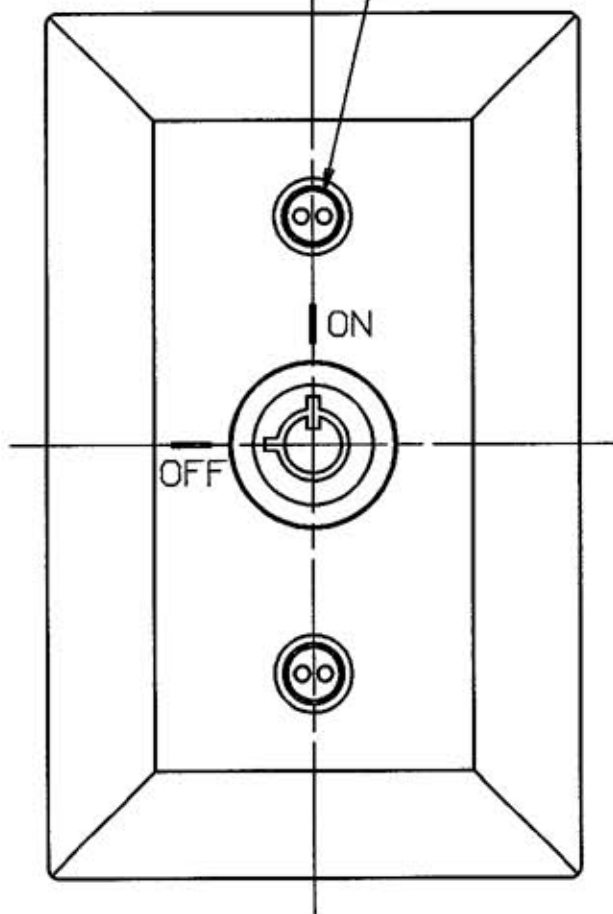
NOTES: 1. RATINGS: 20A, 120-277 VAC ONLY,  
1.5 HP AT 120V, 2 HP AT 240V.  
2. LISTINGS: UL LISTED & CSA CERTIFIED.  
3. KEY REMOVABLE IN BOTH POSITIONS.



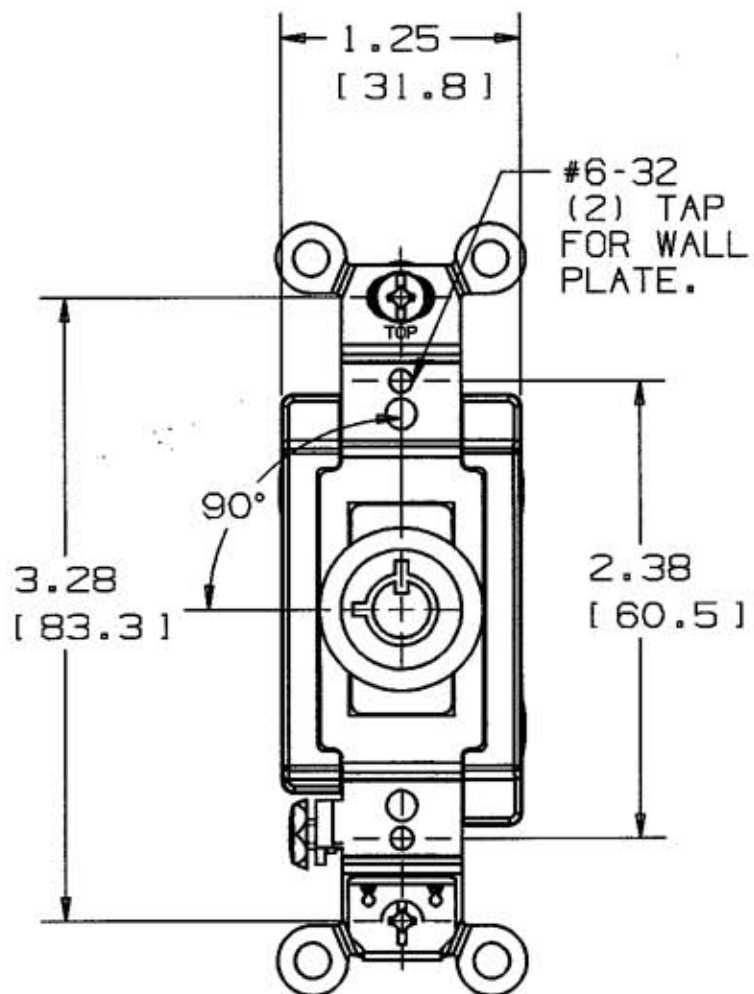
2 KEYS ON  
1 RING



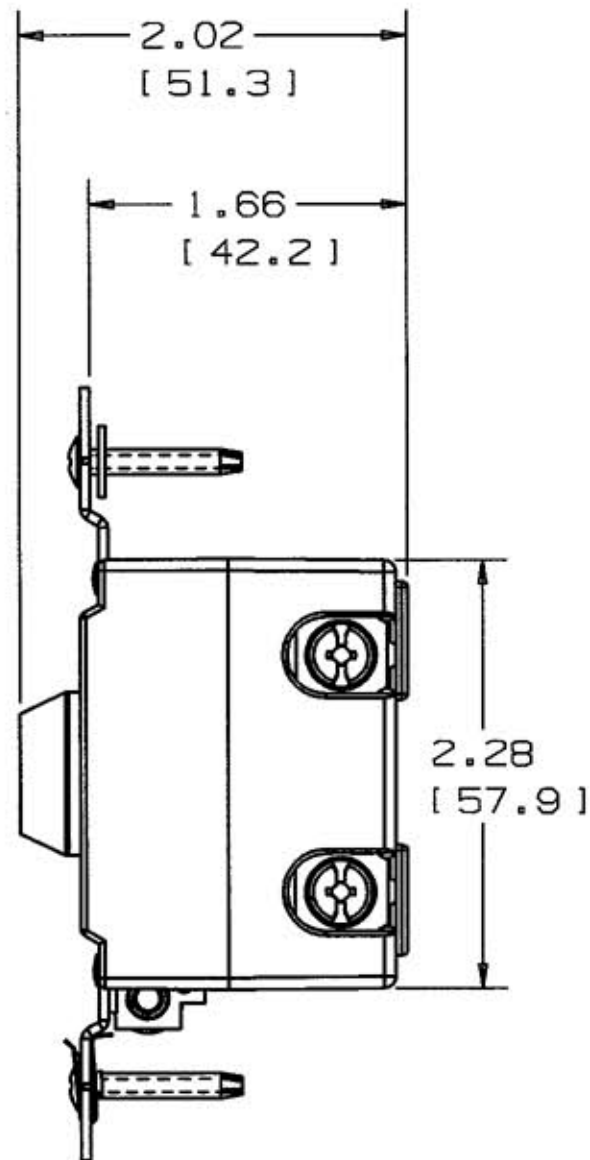
(2) TAMPERPROOF SCREWS (INCLUDED)  
IN WALL PLATE KIT.



1 GANG WALL PLATE SHOWN  
2 GANG WALL PLATE AVAILABLE



#6-32  
(2) TAP  
FOR WALL  
PLATE.



SWITCH CAT.#	1 GANG WALL PLATE CAT.#	2 GANG WALL PLATE CAT.#	SPARE KEY CAT.#
HBL1221RKL	S12RKL	S22RKLM	HBL1209RKL
HBL1222RKL			
HBL1223RKL	S12RKLM		
HBL1224RKL			

LIST OF PARTS

DESCRIPTION	MATERIAL	FINISH
RIVET	STEEL	ZINC PL.
MTG. SCREWS	STEEL	ZINC PL.
SWITCH COVER	THERMO PLASTIC	RED
SWITCH BASE	THERMO PLASTIC	RED
BRIDGE	STEEL	NICKEL PL.
GROUND SCREW	BRASS	GREEN
90° LOCK	ZINC DIECAST	CHROME PL.
WALL PLATES	S.STEEL	POLISHED

DIMENSION SHEET FOR CAT. NO.

REPAIRABLE

NON-REPAIRABLE

B

M-8991

1

1 RELEASED PER DCN10413 SM 11-20-02  
SYM REVISIONS APP DATE

THE DESIGN AND DIMENSIONS OF THE  
PRODUCT SHOWN ON THIS DRAWING ARE  
SUBJECT TO CHANGE WITHOUT NOTICE

TITLE  
CUSTOMER DRAWING  
AC LOCKING SWITCH  
HUBBELL

TOLERANCES UNLESS  
OTHERWISE SPECIFIED  
FRACTIONS ±1/64  
DECIMALS ±.005  
ANGLES ±2°

WIRING DEVICE-KELLEMS  
HUBBELL INCORPORATED  
BRIDGEPORT, CT

DR. BY PAC APP. BY SM  
TR. BY SCALE 1-1  
CHK'D BY SM DATE 10-29-02