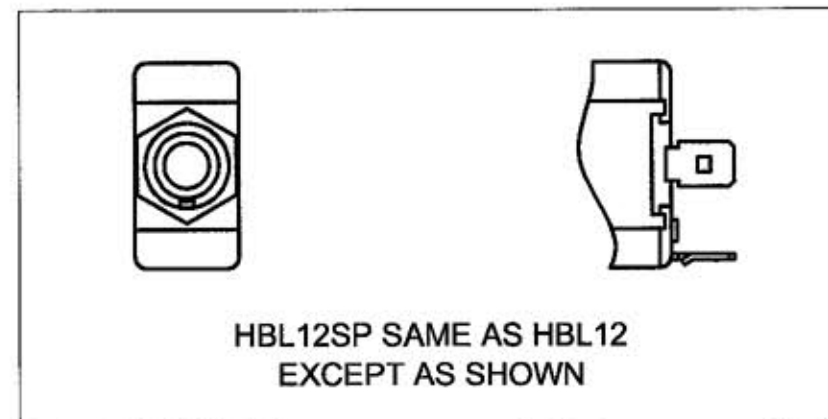
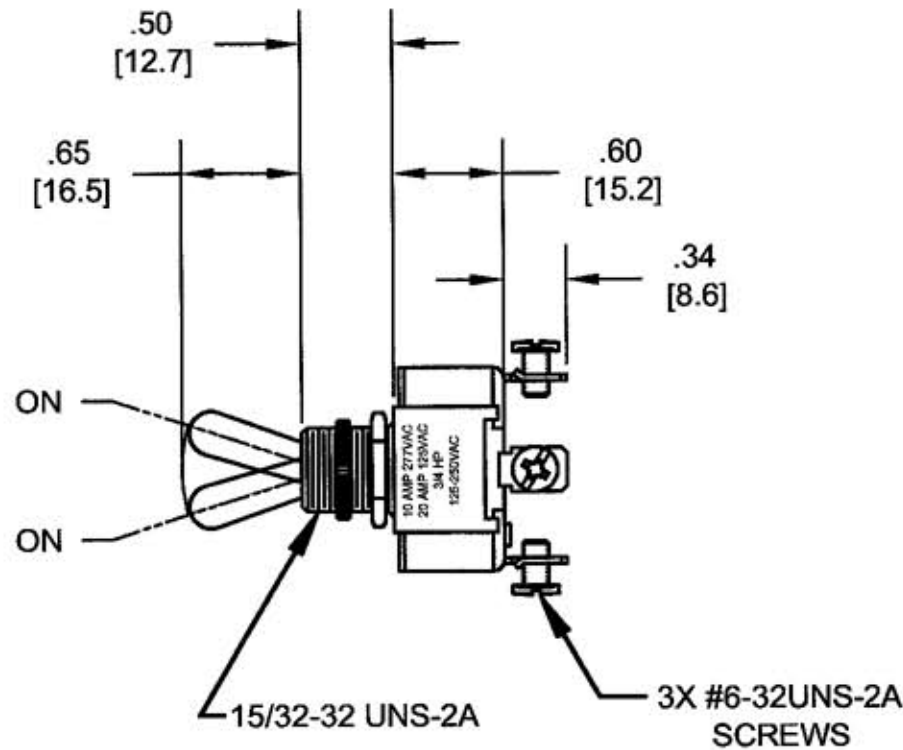
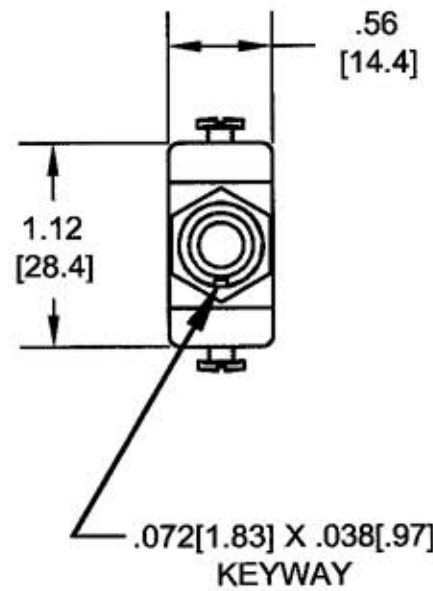
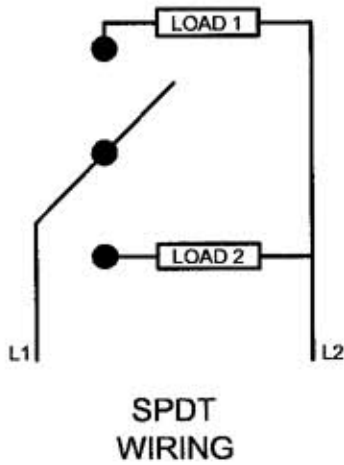


M-10204 1



NOTES: (UNLESS OTHERWISE SPECIFIED):

- 1) DIMENSIONS ARE: INCHES [MM]
- 2) SUPPLIED ASSEMBLED WITH: KNURL NUT AND HEX NUT.
- 3) RECOMMENDED PANEL MOUNT OPENING 0.50 [12.7].
- 4) RATING: 10 AMP, 277VAC
20 AMP, 125VAC
3/4 HP, 125-250VAC

CATALOG NO.	TERMINAL TYPE	SWITCH DESCRIPTION
HBL12	SCREW, #6-32UNS-2B	SINGLE POLE, DOUBLE THROW
HBL12SP	SPADE, .250 MALE TAB NEMA	SINGLE POLE, DOUBLE THROW

LIST OF PARTS

DESCRIPTION	MATERIAL	FINISH

DIMENSION SHEET FOR CAT. NO. SEE TABLE

REPAIRABLE NON-REPAIRABLE

1	RELEASED FOR PRODUCTION PER DCN # 13193. JMN	JPP	8/31/06
SYM	REVISIONS	APP	DATE

THE DESIGN AND DIMENSIONS OF THE PRODUCT SHOWN ON THIS DRAWING ARE SUBJECT TO CHANGE WITHOUT NOTICE

TITLE
TOGGLE SWITCH
SINGLE POLE, DOUBLE THROW

TOLERANCES UNLESS OTHERWISE SPECIFIED	WIRING DEVICE-KELLEMS HUBBELL INCORPORATED BRIDGEPORT, CT	
FRACTIONS ±1/64	DR. BY JMN	APP. BY JPP
DECIMALS ±.005	TR. BY	SCALE NONE
ANGLES ±2°	CHK'D BY JPP	DATE 8/31/06

B M-10204 1